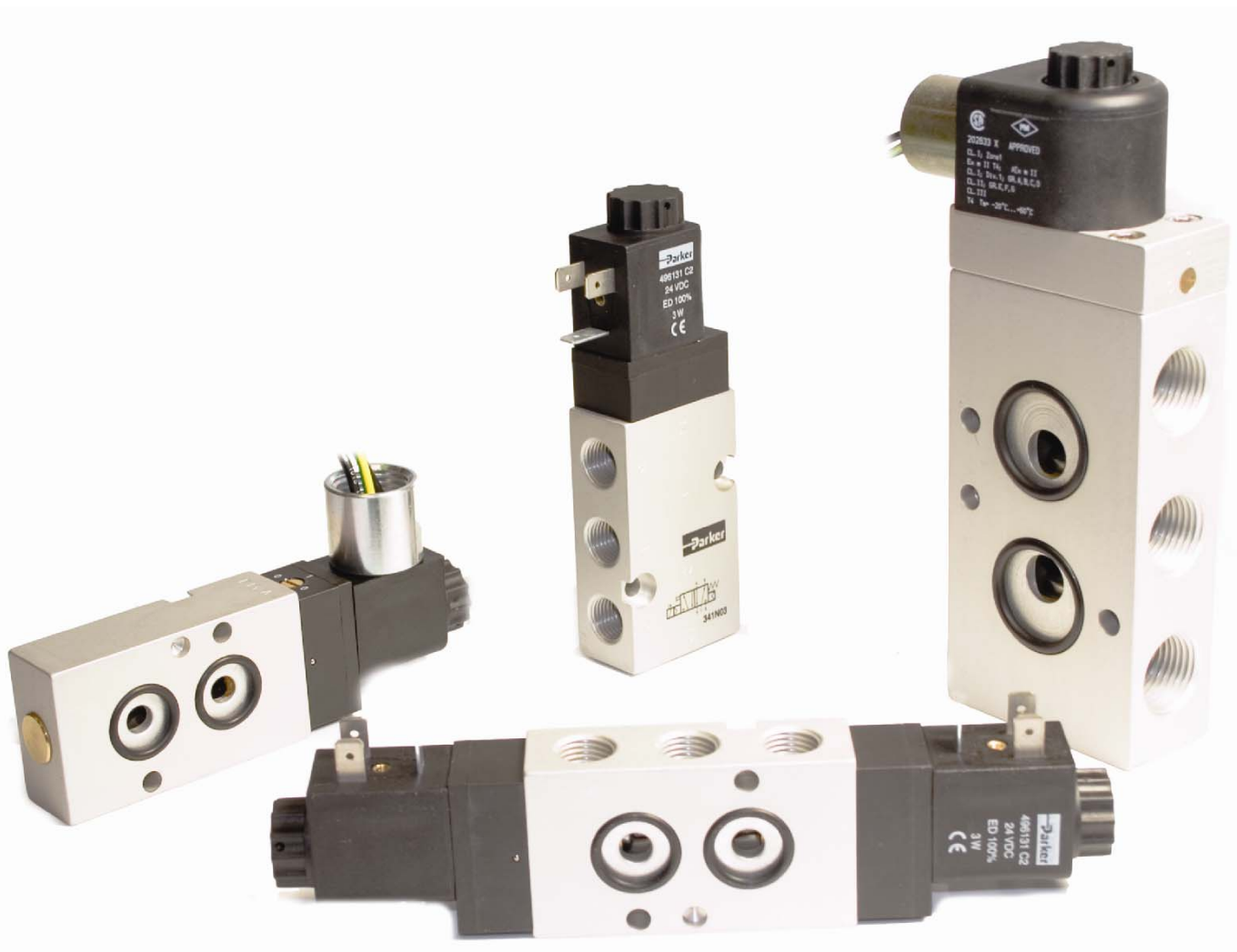




# NAMUR 1/4 & 1/2 High Flow Valves for Actuator Control

Catalog NAMUR 0307



INDEX

Technical Information..... page 2  
 Coil Information page 3  
 Ordering Information page 4  
 Namur Valve Series ..... page 5  
 Dimensional Drawings ..... page 6

TECHNICAL DATA

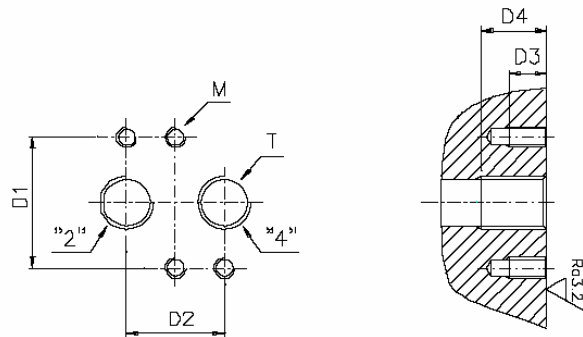
<b>Function :</b>	3/2 , 5/2 and 5/3 solenoid and air operated valves.
<b>Manual override :</b>	Locking manual override standard on all solenoid operated versions.
<b>Design :</b>	Pilot operated spool valve with combined pneumatic and spring return.
<b>Mounting :</b>	For direct mounting on NAMUR interface.
<b>Mounting position :</b>	Any position.
<b>Material specifications :</b>	Aluminium body. Internal parts made from stainless steel. Sealing materials are NBR.
<b>Range of admissible pressure drop :</b>	$\Delta p$ min. = see table $\Delta p$ max. = 150 psi
<b>Media :</b>	Dry or lubricated air.
<b>Fluid temperature :</b>	Min. 32°F (0 °C) Max. 122°F (+ 50 °C)
<b>Ambient temperature :</b>	14°F (-10 °C) to 122°F (+50 °C)
<b>Electrical parts :</b>	- DIN coil per DIN 43650 type B plug. Degree of protection IP 65. - Conduit NEMA 4x with 24" leads. - Hazardous conduit NEMA 7,9 with 24" leads. Meets FM approvals for Class 1, Groups A,B,C,D and Class II, Groups E,F,G.
<b>Solenoid duty :</b>	100% Continuous Duty.
<b>Voltage :</b>	12 VDC, 24 VDC, 24/60 AC, 120/ 60 AC, 240/60 AC
<b>Voltage tolerance :</b>	± 10% of nominal
<b>Class of insulation material :</b>	Class F DIN coil, Class H 1/2" conduit and hazardous coils.

Applications






- 3- or 4-way directional valves for the control of single – or double acting pneumatic actuators
- The interface design corresponds to the NAMUR standard and the VDI/VDE 3845 recommendations of the actuator industry permitting a compact design of the actuator/valve unit.

NAMUR Interfaces

T	D1 in (mm)	D2 in (mm)	D3 in (mm)	D4 min. in (mm)	M mm
1/4"	1.26 (32)	0.95 (24)	0.31 (8)	0.47 (12)	M5
1/2"	1.77 (45)	1.58 (40)	0.39 (10)	0.63 (16)	M6



**Coil Offering**

Coil Part Number	Coil Type		Agency
ND1x	22mm DIN Per DIN 43650 Form "B"		UL,CSA
NC1x	Conduit –Ordinary location		None
NH1x	Conduit –Hazardous location		UL,FM
N60001	For 1/4" ported valve Mounting Plate for Conduit and Hazardous Coils		None
N60002	For 1/2" ported valve Mounting Plate for Conduit and Hazardous Coils		None

x – specify voltage code from voltage table.

**DIN & Conduit Coils  
Standard Voltages**



Voltage	Code No.
12VDC	A
24VDC	B
24/60	E
120/50-60	F
240/50-60	G

**Hazardous Coil  
Standard Voltages**

Voltage	Code No.
12VDC	A
24VDC	B
24/60	E
120/60	C
240/60	D

Hazardous coils are single voltage rated

**DIN Coil Electrical Options**

Option Part Number	Option	
DX001	DIN Form "B" Strain Relief Cable Gland Pg 9 Connector	
DX002	DIN Form "B" 1/2" NPT Conduit Plug Connector	

Note: Electrical Coil Options Must Be Ordered Separately

**How to order**

Valve reference No. \* - Coil reference – Voltage code = order code

\* includes mounting kit for coil assembly + 2x NAMUR O-rings + 2 mounting screws and positioning dowel



Retaining Nut included as part of the pressure vessel

Example: To order 1/4" NPT pressure vessel, 5/2 single solenoid, DIN coil, 24VDC =  
U341N03 + ND1+ B = U341N03ND1B

**Valves and coils may also be ordered separately**

- **Spare Sleeve Cap**

For all models - Order No. **N60003** Spare part kit includes:  
Plastic retaining nut with O-ring, Maximum torque 5.0 in-lbs



- **Spare part mounting kit**

**For 1/4 models - Order No. N60004** Spare part kit includes:  
2 screws DIN912 M5x25 A2, 1 pin DIN 913 M5x10 A2, 2 O-rings NBR 15x2.5mm

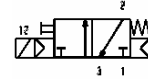


**For 1/2 models - Order No. N60005** Spare part kit includes:  
2 screws DIN912 M6x35 A2, 1 pin DIN 913 M6x12 A2, 2 O-rings NBR 24x3mm

Port Size	Orifice	Cv	Admissible Differential Pressure [psi]		Max. Fluid Temperature [°F]	Seat disc	Part Number	Power consumption [Watt]		Weight [lbs]	Dim. ref.
			max	min				DC	AC		
NPT	in.	min	DC=	AC~	Min. = 32 °F Air & Inert Gases		Valve	DC	AC		

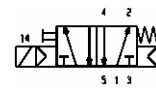
## 1/4" Ported Valves

### 3/2 Pilot operated valve - Internal pressure supply



1/4	0.27	1.2	37	150	150	122	NBR	U331N03	5	5	0.60	1
-----	------	-----	----	-----	-----	-----	-----	---------	---	---	------	---

### 5/2 Pilot operated valve - Internal pressure supply



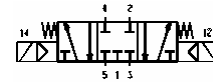
1/4	0.27	1.2	37	150	150	122	NBR	U341N03	5	5	0.60	2
-----	------	-----	----	-----	-----	-----	-----	---------	---	---	------	---

### 5/2 Control by 2 solenoids and internal pressure supply



1/4	0.27	1.2	30	150	150	122	NBR	U347N03	5	5	0.81	3
-----	------	-----	----	-----	-----	-----	-----	---------	---	---	------	---

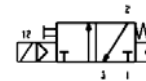
### 5/3 Control by 2 solenoids and internal pressure supply Closed in center position



1/4	0.27	1.2	45	150	150	122	NBR	U342N03	5	5	0.85	4
-----	------	-----	----	-----	-----	-----	-----	---------	---	---	------	---

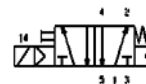
## 1/2" Ported Valves

### 3/2 Pilot operated valve - Internal pressure supply

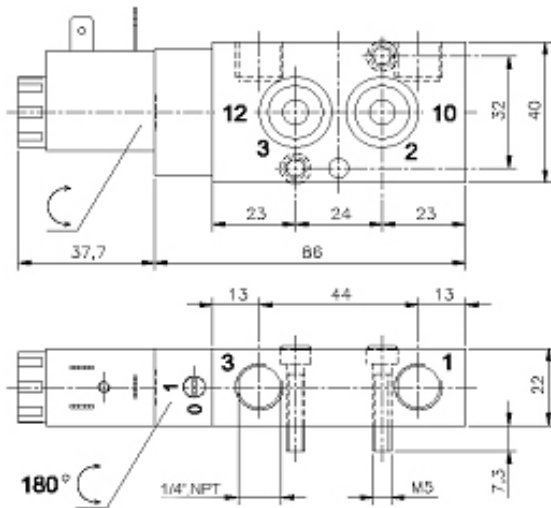


1/2	0.47	3.0	37	150	150	122	NBR	U331N04	5	5	1.60	5
-----	------	-----	----	-----	-----	-----	-----	---------	---	---	------	---

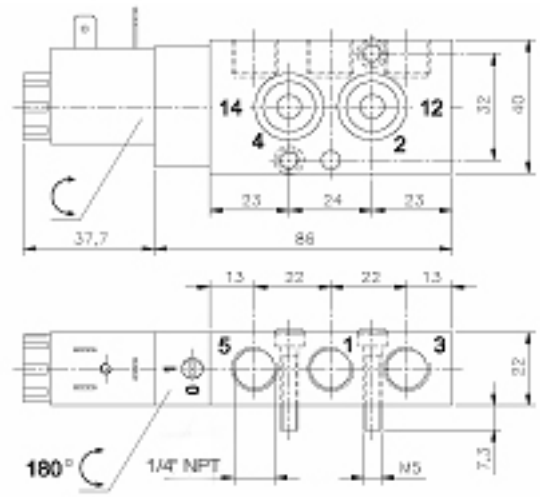
### 5/2 Pilot operated valve - Internal pressure supply



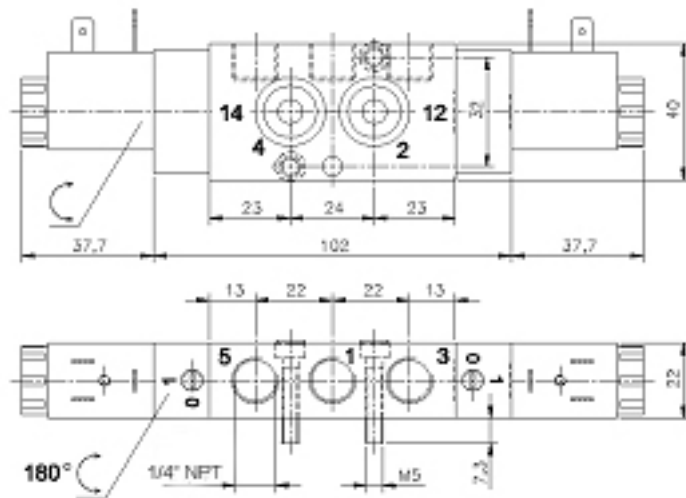
1/2	0.47	3.0	37	150	150	122	NBR	U341N04	5	5	1.60	6
-----	------	-----	----	-----	-----	-----	-----	---------	---	---	------	---



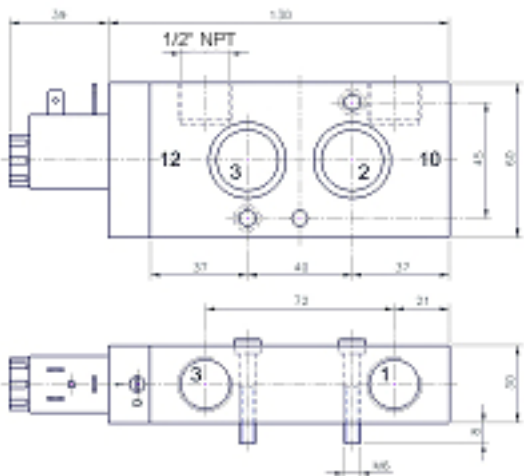
Dimension ref. 1



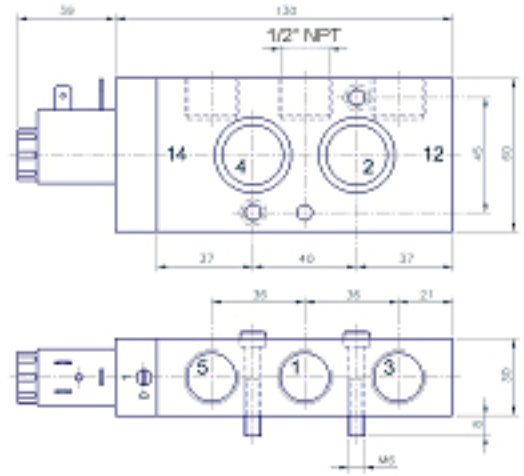
Dimension ref. 2



Dimension ref. 3 & 4



Dimension ref. 5



Dimension ref. 6

All dimensions in millimeters (mm) 25.4mm = 1 inch



Catalog NAMUR 0307  
March 2007

**Parker Hannifin Corporation**

Fluid Control Division  
95 Edgewood Avenue  
New Britain, CT 06051  
Tel. (860) 827-2300 Fax (860) 827-2384  
[www.parker.com/fcd](http://www.parker.com/fcd)