



Air Preparation Products

Global

Prep-Air II

Miniature

P3N

General Industrial

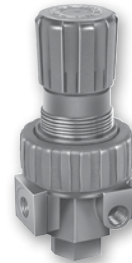
Stainless Steel

Precision / Proportional

Bulk Liquid Separators

06R, 07R Prep-Air II Regulators

- Secondary aspiration plus balanced poppet provides quick response and accurate pressure regulation
- Rolling diaphragm for extended life
- Two high flow 1/4" gauge ports can be used as additional outlets
- Easily serviced
- Removable non-rising knob for panel mounting and tamper resistance
- 06R: 1/4", 3/8" & 1/2" ports (NPT & BSPP)
- 07R: 1/2" & 3/4" ports (NPT & BSPP)



06R



07R

Material specifications



Adjusting Stem	Steel
Body	Zinc
Bonnet, piston stem, valve poppet & cap	Plastic
Collar, knob	Plastic
Diaphragm	Nitrile
Seals	Nitrile
Springs – Poppet Control	Stainless Steel

Operating information

	06R (Compact), 07R (Standard)
Pressure rating:	250 PSIG (17.2 bar)
Temperature rating:	32°F to 175°F (0°C to 80°C)
Secondary pressure ranges –	
Standard pressure	2 to 125 PSIG (0 to 8.6 bar)
Medium pressure	1 to 60 PSIG (0 to 4.1 bar)
High pressure	5 to 250 PSIG (0.4 to 17.2 bar)

Regulators



	Port size	Pressure range	Flow SCFM	Part number (NPT)	
				Without gauge	With 160 PSI gauge
06R 	1/4"	125 PSIG	53	06R113AC	06R118AC
	3/8"	125 PSIG	60	06R213AC	06R218AC
	1/2"	125 PSIG	75	06R313AC	06R318AC
07R 	1/2"	125 PSIG	90	07R313AC	07R318AC
	3/4"	125 PSIG	90	07R413AC	07R418AC



WARNING

Product rupture can cause serious injury.
 Do not connect regulator to bottled gas.
 Do not exceed maximum primary pressure rating.

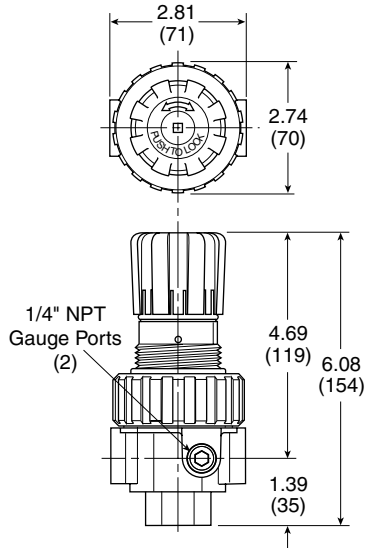
CAUTION: REGULATOR PRESSURE ADJUSTMENT –

The working range of knob adjustment is designed to permit outlet pressures within their full range. Pressure adjustment beyond this range is also possible because the knob is not a limiting device. This is a common characteristic of most industrial regulators, and limiting devices may be obtained only by special design. For best performance, regulated pressure should always be set by increasing the pressure up to the desired setting.

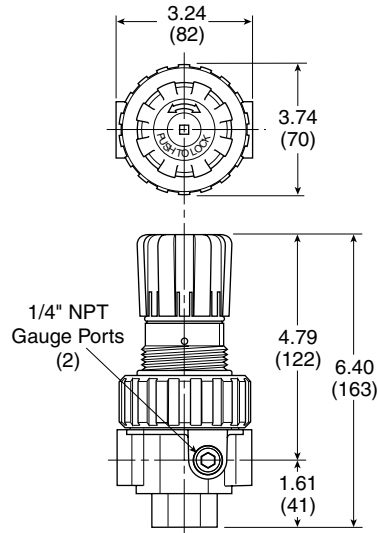
 Most popular.



06R (Compact)



07R (Standard)



Service kits

Description		06R (Compact)	07R (Standard)
Bonnet assembly		PS715P	PS715P
Control knob		P04069B	P04069B
Gauges –			
50mm (2") round	60 PSIG (0 to 4.1 bar)	K4520N14060	K4520N14060
1/4" center back mount	160 PSIG (0 to 11.0 bar)	K4520N14160	K4520N14160
	300 PSIG (0 to 20.0 bar)	K4520N14300	K4520N14300
44mm (1-3/4") digital round	0-160 PSIG / 0-11 bar /	K4517N14160D	K4517N14160D
1/4" center back mount	0-1.1 MPa		
Mounting bracket kit (Includes panel mount nut)		PS707P	PS807P
Panel mount nut –	Plastic	P04082	P04079B
	Metal	P04082	P04079B
Reverse Flow Service Conversion Kit – Relieving		PS708RP	PS808RP
Springs –	1-30 PSIG range	P01698	P01698
	1-60 PSIG range	P04062	P04062
	2-125 PSIG range	P04063	P04063
	5-250 PSIG range	P04064	P04064
Tamperproof kit		PS737P	PS737P

Most popular.

