

# 2013 COMMERCIAL PRODUCTS CATALOG

Now Even More

**LEAD FREE**  
Options Available



**BALL VALVES**

**BUTTERFLY VALVES**

**PRESSURE RELIEF VALVES**

**BACKFLOW PREVENTERS**

**GATE, GLOBE & CHECK VALVES**

**PRESSURE REDUCING VALVES**

**PIPELINE STRAINERS**

**WATER GAUGES**

**PLUMBING/HEATING SPECIALTIES**

**APOLLOXPRESS™**

**APOLLO FIRE PROTECTION**

**"Apollo" Valves**

manufactured in the USA  
by CONBRACO Industries

American Made Quality since 1928



# "Apollo" Valves

manufactured in the USA  
by CONBRACO Industries

## A history of Quality, Service and Innovation

Now in its ninth decade, Conbraco Industries, Inc. is a leading manufacturer of flow control products for U.S. and international markets. The company's headquarters is based in Matthews, North Carolina with manufacturing plants and foundries located in Pageland and Conway, South Carolina.

Conbraco has a history of new product development and innovation that dates back to the company's inception in 1928. Today, the Conbraco line of products is marketed under the "Apollo Valves" brand and includes: ball valves, butterfly valves, backflow prevention devices, water pressure reducing valves, mixing valves, safety relief valves, water gauges, strainers, actuation and APOLLOXPRESS® products.

Conbraco's vertically integrated manufacturing ensures a consistency of production, testing, quality and availability. You can be assured that Conbraco flow control products will deliver long term reliability. All manufacturing facilities are ISO 9001:2008 certified.

The Conbraco line continues to expand with new products, designs and advanced materials to better serve the needs of our customers. Markets served include: chemical processing, pulp and paper, petroleum, residential and commercial plumbing and heating, OEM, irrigation, water works, and fire protection.



**PAGELAND, SC**  
Bronze Foundry and Manufacturing Plant



**PAGELAND, SC**  
Final Assembly and Distribution Center



**CONWAY, SC**  
Steel Foundry and Manufacturing Plant



**MATTHEWS, NC**  
Corporate Headquarters

**3D CAD DRAWINGS**

available formats:  
**dwg, par, rfa, pdf & sat**

Drawings also available for **LEAD FREE** models.

Throughout this catalog, products that have a Lead Free\* option will be identified with this logo.



\* LEAD FREE: The wetted surfaces of this product shall contain no more than 0.25% lead by weighted average. Complies with CA AB1953, VT Act 193, MD HB372, LA HB471 and Federal Public Law 111-380. ANSI 3rd party approved and listed.

\*\* Any imported products are clearly identified as "Apollo International™".

Conbraco Industries offers a wide range of Apollo® products for potable and non-potable applications. When the use of lead free valves is required by code, specification or legislation, it is the sole responsibility of our customers to ensure that only lead free Apollo® products are installed in systems intended for potable water service. Further information related to our product offering and the federal Reduction of Lead In Drinking Water Act is available at [www.apollovalves.com/lead\\_free](http://www.apollovalves.com/lead_free), or by contacting Conbraco Customer Service.

# COMMERCIAL PRODUCTS CATALOG

## Table of Contents

<b>Introduction</b> .....	<b>Page</b> 2
<b>Lead Free Products</b> .....	6-7
<b>New Products</b> .....	9-16
<b>Ball Valves</b> .....	17-52
<b>Butterfly Valves</b> .....	53-60
<b>Actuation</b> .....	61-66
<b>Safety &amp; Relief Valves</b> .....	67-88
<b>Hydronic &amp; Steam Heating</b> .....	89-96
<b>Mixing Valves</b> .....	97-106
<b>Water Pressure Reducing Valves</b> .....	107-114
<b>Backflow Preventers</b> .....	115-130
<b>Gate, Globe &amp; Checks</b> .....	131-148
<b>Strainers</b> .....	149-154
<b>Water Gauges</b> .....	155-164
<b>Plumbing Specialties</b> .....	165-177
<b>Warranty Information &amp; Terms and Conditions</b> .....	178-179

## Table of Contents by Series No.

Series No.	Model No.	Page No.	Series No.	Model No.	Page No.	Series No.	Model No.	Page No.
4A-100	DC4A	117	6GA	620F	136	20-300		158
4ALF-100	DC4A	117	6GA	621F	137	20-410		159
4A-100(LBF)	DC4A	118	6GB	711F	140	20-600/800		159
4ALF-100(LBF)	DC4A	118	6GB	721F	140	20-700/710		160
4A-200	RP4A	120	6SC	910F	143	21		160
4A-200(LBF)	RP4A	121	6SC	910FLW	144	23-400		161
4ALF-200(LBF)	RP4A	121	6SC	920F	144	23-600		161
4A-500	PVB-4A	123	6WC	910WB	145	24-300		162
4A-600	DCDA-4A	119	6WC	910WE	145	24-600		162
4ALF-600	DCDA-4A	119	7K-100		42	25-600		163
4A-700	RPDA-4A	122	7K-SV		42	26-100	CG	167
4ALF-700	RPDA-4A	122	9A-100		49	26-300	CGH	167
4An-00		130	10	RVW10	69	26-500		167
4An-100	DC-4An	118	10-322	RV32	70	26-700	CGH	167
4AnLF-100	DC-4An	118	10-512	RVS52	70	27-200	RAV	91
4An-200	RP-4An	121	10-600	RVW60/61	71	27-400	SGS	168
4AnLF-200	RP-4An	121	12-200	RVS12	72	29		82
4An-600	DCDA-4An	119	13	RVS13	72	30	101S	133
4AnLF-600	DCDA-4An	119	14-200	RVS14	70	30LF	101S	133
4An-700	RPDA-4An	122	14-400	RVA14	73	30	101T	133
4AnLF-700	RPDA-4An	122	14-500	RVA15	73	30LF	101T	133
4C-100	CBBP	126	14-600	RVV14	74	30	102S	133
4FP3	DUC-4FP	125	15-100	RVA15	75	30LF	102S	133
4N-300	DUC-4N	125	16-200	RVW16	76	30	102T-K	134
4NLF-300	DUC-4N	125	16-500	RVW16A	76	30	102T	134
4SG	DC-4SG	118	16XT	EXT	91	30LF	102T	134
4SGLF	DC-4SG	118	17-400	RVW17	77	30	103T	134
4SG-600	DCDA-4SG	119	18C-400	TP	78	30	106T	135
4SGLF-600	DCDA-4SG	119	18C-402X	TPX	78	30	107T	135
4W-500	SVB-4W	124	18C-500	TPC	79	30	111T	135
4WLF-500	SVB-4W	124	19		80-81	30	116T	135
6GA	610F	136	20-100		157	31-200	BD90	176
6GA	611F	137	20-200		157	31-400	BDT	176



For additional information, submittal sheets and manuals, visit [www.apollovalves.com](http://www.apollovalves.com)

**Customer Service (704) 841-6000**

# COMMERCIAL PRODUCTS CATALOG

## Table of Contents by Series No.

Series No.	Model No.	Page No.	Series No.	Model No.	Page No.	Series No.	Model No.	Page No.
31-500	BD90	176	51	GC	173	77B-100		33
31-600	BD	177	51G	GB10/15/16	51	77BLF-100		33
31-700	BD	177	52	GC2	173	77B-300		33
32-100		27	53	GC3	174	77BLF-300		33
32-200		28	54	GCA	174	77B-800		34
33	120S	138	55	GCR	175	77BLF-800		34
33	120T	138	56	GCP	175	77C-100/200		19
33	121T	138	58	BAV	93	77CLF-100/200		19
33LF	121T	138	58A		93	77D		34
33	122T	139	58B		93	77G-UL		35
33	127T	139	59	YB	151	77W		36
33	128T	139	59LF	YB	151	77WLF		36
34A	MVA	100	59-300	YBS	152	77W-HC		37
34ALF	MVA	100	59LF-300	YBS	152	77WLF-HC		37
34B	MVB	102	59V	YVB	152	77X		38
34BLF	MVB	102	61-100	CVB	146	78-114-01		40
34C	MVC	101	61LF-100	CVB	146	78-124/125		168
34D	MVD	101	61-200	CVB	146	78-130		40
34DLF	MVD	101	61LF-200	CVB	146	78-256		38
34E	MVE	105	61-500	CVBE	147	78-260/290		39
34ELF	MVE	105	61LF-500	CVBE	147	78-274-01		39
34HL	MVHL	103-104	61-600	CVBES	148	78-275-01		39
34-200	TV	99	61-700	CV	148	78-600	PBS	94
35	FF	91	61Y	161S	141	78-620		40
35-200	HB	176	61YLF	161S	141	78-660/962		41
35-300	BD	177	61Y	161T	141	78-970-01		95
35-403	FCT	92	61YLF	161T	141	78-RV	EXV	95
35-6A3	FFB	92	61Y	162T	141	78LF-RV	EXV	95
35-6H3	FFB	92	61Y	163S	142	79-700		41
35FC	FC	92	61YLF	163S	142	80-100		35
36	PR	109	61Y	163T	142	82-200/240		44
36LF	PR	109	61YLF	163T	142	82LF-200/240		44
36C	PRC	110	61Y	164T	142	82-200/240 F1		45
36CLF	PRC	110	61Y	168T	143	82-200/240 F3		45
36E	PRE	111	61Y	169T	143	82-100		43
36ELF	PRE	111	62-100	CVS	147	82LF-100		43
36H	PRH	112	62-500	CVSE	147	82-200		43
36HLF	PRH	112	62LF-500	CVSE	147	82LF-200		43
37-200	VR	96	64		46	90-100		36
38-100	AVB1	124	64WC		37	94A		47
38LF-100	AVB1	124	70 OPTIONS		21-22	94ALF		47
38-200	AVB2	124	70-100-94		22, 94	94 MBV		48
38-300	HBV2	128	70LF-100-94		94	95		48
38-304	HBVAF2	128	70-100-BC		146	95LF		48
38-400	HBVAF2	128	70-100/200		20	95A		49
38-502	LFVUC	128	70LF-100/200		20	119		83-84
40-000	FPV	127	70-140-64		23	125YF	125YF	154
40LF-000	FPV	127	70-200		20	500		85-87
40-200	TK3/TK5/TKF	129	70-200-63		24	612	YSS	152
40-200 BV		130	70-300/400		24	612	YCS/YCSW	153
40-200-ST	ST1	129	70-600		25	A127		113-114
40-200-T2	RP-40	121	70-800		25	AD/AS	AD/AS	63
40-200-T2S	RP-40S	120	70-900		26	AE	AE	64
40-300	DUC-40	126	70-HC		27	AGD		130
40-400	DCAP	127	70B-140		23	DPE		88
40-700	RPDA-40	122	71-100		28	I-2733/2734		163
40LF-700	RPDA-40	122	71-500		29	IBV-125		50
40-XT	EXP	96	73A-100		29	IBVE-125		50
41		169-170	75-100-41		30	LC149		58-60
42-100		171	76F-100-A		30	LD/WD 141		55-59
43-100		171	77-100		31	LD/WD 145		55-59
44-100		171	77-200		31	W-7793-00		114
50	GCB	172	77-200		32	W-8078-00	HCPG	114, 129
50G	GB50/GB50A	52	77-900		32	YCT	YCT	153

# COMMERCIAL PRODUCTS CATALOG

## Table of Contents by Model No.

Model No.	Series No.	Page No.	Model No.	Series No.	Page No.	Model No.	Series No.	Page No.
101S	30	133	CVB	61LF-100	146	PBS	78-600	94
101S	30LF	133	CVB	61-200	146	PR	36	109
101T	30	133	CVB	61LF-200	146	PR	36LF	109
101T	30LF	133	CVBE	61-500	147	PRC	36C	110
102S	30	133	CVBE	61LF-500	147	PRC	36CLF	110
102S	30LF	133	CVBES	61-600	148	PRE	36E	111
102T	30	134	CVS	62-100	147	PRE	36ELF	111
102T	30LF	134	CVSE	62-500	147	PRH	36H	112
102T-K	30	134	CVSE	62LF-500	147	PRH	36HLF	112
103T	30	134	DC-4An	4An-100	118	PVB-4A	4A-500	123
106T	30	135	DC-4An	4AnLF-100	118	RAV	27-200	91
107T	30	135	DC-4SG	4SG	118	RP-40	40-200-T2	121
111T	30	135	DC-4SG	4SGLF	118	RP-40S	40-200-T2S	120
116T	30	135	DC4A	4A-100	117	RP-4An	4An-200	121
120S	33	138	DC4A	4ALF-100	117	RP-4An	4AnLF-200	121
120T	33	138	DC4A	4A-100(LBF)	118	RP4A	4A-200	120
121T	33	138	DC4A	4ALF-100(LBF)	118	RP4A	4A-200(LBF)	121
121T	33LF	138	DCAP	40-400	127	RP4A	4ALF-200(LBF)	121
122T	33	139	DCDA-4A	4A-600	119	RPDA-40	40-700	122
125YF	125YF	154	DCDA-4A	4ALF-600	119	RPDA-40	40LF-700	122
127T	33	139	DCDA-4An	4An-600	119	RPDA-4A	4A-700	122
128T	33	139	DCDA-4An	4AnLF-600	119	RPDA-4A	4ALF-700	122
161S	61Y	141	DCDA-4SG	4SG-600	119	RPDA-4An	4An-700	122
161S	61YLF	141	DCDA-4SG	4SGLF-600	119	RPDA-4An	4AnLF-700	122
161T	61Y	141	DUC-40	40-300	126	RV32/52	10-322	70
161T	61YLF	141	DUC-4FP	4FP3	125	RVA14	10-512	70
162T	61Y	141	DUC-4N	4N-300	125	RVA14	14-400/500	73
163S	61Y	142	DUC-4N	4NLF-300	125	RVA15	15-100	75
163S	61YLF	142	EXP	40-XT	96	RVS12	12-200	72
163T	61Y	142	EXT	16XT	91	RVS13	13	72
163T	61YLF	142	EXV	78-RV	95	RVS14	14-200	70
164T	61Y	142	EXV	78LF-RV	95	RVS32	10-322	70
168T	61Y	143	FC	35FC	92	RVS52	10-512	70
169T	61Y	143	FCT	35-403	92	RVV14	14-600	74
610F	6GA	136	FF	35	91	RVW10	10	69
611F	6GA	137	FFB	35-6A3	92	RVW16	16-200	76
620F	6GA	136	FFB	35-6H3	92	RVW16	16LF-200	76
621F	6GA	137	FPV	40-000	127	RVW16A	16-500	76
70 OPTIONS	70 OPTIONS	21-22	FPV	40LF-000	127	RVW17	17-400	77
711F	6GB	140	GB10/15/16	51G	51	RVW60/61	10-600	71
721F	6GB	140	GB50/GB50A	50G	52	SGS	27-400	168
910F	65C	143	GC	51	173	ST1	40-200-ST	129
910FLW	65C	144	GC2	52	173	SVB-4W	4W-500	124
910WB	6WC	145	GC3	53	174	SVB-4W	4WLF-500	124
910WE	6WC	145	GCA	54	174	TK3/TK5/TKF	40-200	129
920F	65C	144	GCB	50	172	TP	18C-400	78
AD/AS	AD/AS	63	GCP	56	175	TPC	18C-500	79
AE	AE	64	GCR	55	175	TPX	18C-402X	78
AVB1	38-100	124	HB	35-200	176	TV	34-200	99
AVB1	38LF-100	124	HBDUC	38-304	128	VR	37-200	96
AVB2	38-200	124	HBV2	38-300	128	YB	59	151
BAV	58	93	HBVAF2	38-400	128	YB	59LF	151
BD	31-600	177	HCPG	W-8078-00	114, 129	YBS	59-300	152
BD	31-700	177	LFDUC	38-502	128	YBS	59LF-300	152
BD	35-300	177	MVA	34A	100	YCS/YCSW	612	153
BD90	31-200	176	MVA	34ALF	100	YCT	YCT	153
BD90	31-500	176	MVB	34B	102	YSS	612	152
BDT	31-400	176	MVB	34BLF	102	YVB	59V	152
CBBP	4C-100	126	MVC	34C	101			
CG	26-100	167	MVD	34D	101			
CGH	26-300	167	MVD	34DLF	101			
CGH	26-500	167	MVE	34E	105			
CV	61-700	148	MVE	34ELF	105			
CVB	61-100	146	MVHL	34HL	103-104			



For additional information, submittal sheets and manuals, visit [www.apollovalves.com](http://www.apollovalves.com)

Customer Service (704) 841-6000



## COMMITTED TO A BETTER ENVIRONMENT

Our Valves have always conformed to Federal and State lead level requirements. Now, as new lead reduction initiatives are being introduced, Apollo Valves is committed to providing our customers with a Lead Free<sup>†</sup> alternative for valves intended for potable water service. The same great Apollo products you know and trust, now with optional Lead Free materials and approvals. Choose American-made Apollo Valves.

### What is Lead Free?

† The wetted surfaces of the product shall contain no more than 0.25% lead by weighted average.

### Legislation

Complies with California AB1953, Vermont Act 193, Maryland HB372, Louisiana HB471 and Federal Public Law 111-380 (Amendment to Safe Drinking Water Act). All Apollo Lead Free valves are ANSI 3rd party approved and listed.

### Approvals\*

NSF/ANSI 61 (2010) Section 8, Annex F & G  
NSF-372, Drinking Water System Components - Lead Content

\* Supplementary Approvals vary by product. Refer to the [www.apollovalves.com](http://www.apollovalves.com) website and submittal sheets for specific approvals.



Certified by  
Truesdail Laboratories



# leadfree + MADE IN USA = "Apollo"

Visit our website often for announcements as new Lead Free products are added.

[www.apollovalves.com](http://www.apollovalves.com)

















## Our Lead Free Products

Series	Size	Description	Connection	Series	Size	Description	Connection
30LF	1/4" - 3"	Bronze Gate Valve	NPT, Solder, Press	4C100	1/4" - 3/8"	Carbonated Beverage Backflow Prev.	NPT & Flare
33LF	1/4" - 2"	Bronze Globe Valve	NPT, Solder, Press	4FPLF300	1" - 1-1/4"	Residential Dual Check Valve	NPT & NPSM
34ALF	1/2" - 1"	Mixing Valve	NPT, Solder, PEX, CPVC	4NLF300	3/8" - 1"	Dual Check Valve	NPT, NPSM, BSPP
34BLF	1/2" - 1"	Mixing Valve	NPT, Solder, PEX, CPVC	4SGLF100	2-1/2" - 6"	Double Check Valve	Flanged, Grooved
34DLF	3/8"	Mixing Valve	Compression	59LF	1/8" - 4"	Strainer, Bronze	NPT, Push, Press
36LF	1/2" - 2"	Water Pressure Reducing Valve	NPT, Solder, PEX, CPVC	61LF100	1/4" - 3"	Check Valve, Bronze, Ball Cone	NPT
36CLF	1/2" - 1"	Water Pressure Reducing Valve	NPT, Solder, PEX, CPVC, Push, Press	61LF500	3/8" - 3/4"	Check valve, Bronze, Soft Seat	NPT
36ELF	1/2" - 1"	Water Pressure Reducing Valve	NPT, Solder, PEX, CPVC, Push, Press	61YLF	1/4" - 2"	Swing Check, Bronze	NPT, Solder, Press
36HLF	1/2" - 3"	Water Pressure Reducing Valve	NPT, Flanged	70LF	1/4" - 4"	Ball Valve, Bronze	NPT & Solder
38LF-100	1/4" - 2"	Atmospheric Vacuum Breaker	NPT	70LF-HC	1/2" - 3/4"	Ball Valve, Bronze, Hose Cap & Chain	NPT & Solder
40LF-000	1/8"	Freeze Protection Valve	NPT	76	1/4" - 3"	Ball Valve, SS Standard Port	NPT
40LF-200	1 1/4", 1 1/2"	Reduced Pressure Assembly	NPT	76F	1/2" - 2"	Ball Valve, SS Full Port	NPT
40LF-300	1/2" - 1"	Dual Check Valve	NPT, NPSM, BSPP	77CLF	1/4" - 2-1/2"	Ball Valve, Bronze	NPT & Solder
40LF-400	1/2" - 3/4"	Dual Check with Atmospheric Port	NPT, Solder, BSPP	77WLF	1/2" - 2"	Ball Valve, Bronze	Press ends
40XT	3/4"	Expansion Tanks, Potable	NPT	77WLF-HC	1/2" - 3/4"	Ball Valve, Bronze, Hose Cap & Chain	Press end
4ALF-100	1/2" - 2"	Double Check Valve	NPT	78LF-RV	3/4"	Ball Valve, Thermal Expansion Relief	NPT, Solder, PEX, Push
4ALF-100	2 1/2" - 12"	Double Check Valve	Flanged, Grooved	82LF	1/4" - 2-1/2"	Ball Valve, Bronze, 3 Piece	NPT, Solder / Brazed
4ALF-200	1/2" - 2"	Reduced Pressure Assembly	NPT	86A	1/4" - 2"	Ball Valve, SS 3 Piece 1500 CWP	NPT, SW, BW
4ALF-200	2-1/2" - 12"	Reduced Pressure Assembly	Flanged, Grooved	86B	1/4" - 2"	Ball Valve, SS 3 Piece Class 600	NPT, SW, BW
4ANLF-100	2-1/2" - 12"	Double Check Valve	Flanged, Grooved	87A-200	1/2" - 4"	Ball Valve, SS ASME 150#	Flanged
4ANLF-200	2-1/2" - 12"	Reduced Pressure Assembly	Flanged, Grooved	94ALF*	1/4" - 4"	Ball Valve, Brass	NPT & Solder
				95LF	1/2" - 1"	Ball Valve, Bronze, Stop and waste	NPT & Solder

\* Apollo International

# COMMERCIAL PRODUCTS CATALOG

## Apollo Ball Valves Certification Key

<p><b>American Society of Mechanical Engineers</b> Section I - Power Boilers</p>		<p><b>CSA International</b></p>	
<p><b>American Society of Mechanical Engineers</b> Section VIII - Pressure Vessels</p>		<p><b>American Society of Sanitary Engineering</b></p>	
<p><b>American Society of Mechanical Engineers</b> Section IV - Heating Boilers</p>		<p><b>National Sanitation Foundation</b></p>	
<p><b>National Board of Boiler &amp; Pressure Vessel Inspectors</b></p>		<p><b>Underwriters Laboratory</b></p>	
<p><b>Factory Mutual</b></p>		<p><b>Uniform Plumbing Code</b></p>	
<p><b>Communauté Européenne/ Pressure Equipment Directive</b></p>		<p><b>International Association of Plumbing &amp; Mechanical Officials</b></p>	
<p><b>American National Standards Institute</b></p>		<p><b>Truesdail Laboratories</b> ANSI 3<sup>rd</sup> party testing agency</p>	
<p><b>Manufacturers Standardization Society</b></p>		<p><b>International Code Council</b></p>	





# NEW PRODUCTS

# COMMERCIAL PRODUCTS CATALOG



## APOLLOXPRESS®

Your Single Source Solution for Press Technology



Small & Large Diameter Fittings



Available in Sizes 1/2" to 4"

Ball Valves



Available in Sizes 1/2" to 4"

Gate, Globe, & Check Valves



Available in Sizes 1/2" to 2"

Pressure Reducing Valves



Available in Sizes 1/2" to 2"

Backflow Prevention



Available in Sizes 1/2" to 2"

### The APOLLOXPRESS® Advantage

APOLLOXPRESS® fittings are a proven heat-free method for joining copper tube and provide a clean, easy joining technique that saves time and money on installations.

The APOLLOXPRESS® line of Ball Valves, Gate Valves, Globe Valves, Check Valves, PRV's and Backflow Preventors, integrated with APOLLOXPRESS® Connectors are also now available.

Made in American production facilities from beginning to end, our broad range of Press Technology products brings you the quality and reliability you have come to know and expect from Apollo Valves, all from one source.

Apollo is your single source solution for Press Technology.

### BENEFITS OF THE APOLLOXPRESS® SYSTEM



#### Heat & Flame Free

Reduces fire hazard - no need for heat and open flame



#### Clean, Fast and Simple

No glues, fluxes or solder needed. Easy installation in less than one minute for most sizes.



#### Single Source

All the press you need, all from one single source.



See ApolloXpress Catalog (AXCAT) for more detailed information about ApolloXpress products in this section.

# APOLLOXPRESS® NEW PRODUCTS

## APOLLOXPRESS® THE APOLLOXPRESS® ADVANTAGE

APOLLOXPRESS® fittings are a proven heat-free method for joining copper tube and provide a clean, easy joining technique that saves time and money on installations.

The APOLLOXPRESS® line of fittings and valves feature pre-lubricated seals and Leak Before Press® technology to ensure quick and confident connections. APOLLOXPRESS® valves are available in both standard and Lead Free configurations, while all APOLLOXPRESS® fittings are Lead Free.

Made in America in our American plants and foundries, our broad range of Press Technology products brings you the quality you have come to know and expect, all from one source. APOLLOXPRESS® is your single source solution for Press Technology.

### APOLLOXPRESS® Ball Valves

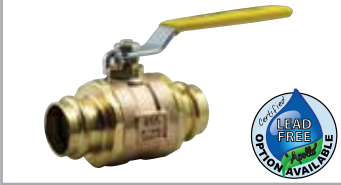
#### 77V/ 77VLF SERIES



#### PRESS END FORGED BALL VALVE

The APOLLOXPRESS® 77V Series two-piece press ball valve is ideal for installation in most plumbing and heating systems. Features Leak Before Press® technology and 250 psig maximum working pressure. Proudly Made in the USA.

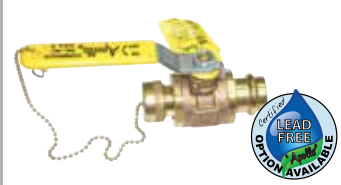
#### 77W/ 77WLF SERIES



#### PRESS END BRONZE BALL VALVE

The APOLLOXPRESS® 77W Series Ball valve is designed for direct mechanical connection to ASTM B88-Type K, L, and M copper tubing in the hard drawn condition. The 77W is ideal for installation in most plumbing and heating systems, including potable water. Now with Leak Before Press® feature and 250 psig maximum working pressure.

#### 77W-HC/77WLF-HC SERIES



#### BALL VALVE W/PRESS X HOSE CONNECTION

The APOLLOXPRESS® 77W-HC Press x Hose ball valve is designed for direct mechanical connection to ASTM B88-Type K, L, and M copper tubing in the hard drawn condition for sizes 1/2" & 3/4". Valves feature a 3/4" hose thread connection with heavy brass cap to protect the threads. The 77W-HC is ideal for most plumbing and heating systems, including potable water. Now with Leak Before Press® feature and 250 psig maximum working pressure.

#### 64WC SERIES



#### APOLLO INTERNATIONAL™ APOLLO-PRESS®

The Apollo International™ 64WC APOLLO-PRESS® ball valve is designed for direct mechanical connection to ASTM B88-Type K, L, and M copper tubing in the hard drawn condition for sizes 2-1/2", 3 and 4". The valve is ideal for general plumbing and heating applications.

### APOLLOXPRESS® Balancing Valves

#### 58A SERIES



Apollo Model 58A balance provide two position hydronic circuit isolation capability and multi-turn throttling adjustment required for proportional balancing of hydronic systems. The valve has a unique needle valve adjustment, with integrated digital readout. Available in NPT, Sweat and XPress connections.



See ApolloXpress Catalog (AXCAT) for more detailed information about these products.

Customer Service (704) 841-6000

REV. 5/17/13

# COMMERCIAL PRODUCTS CATALOG

## APOLLOXPRESS® Globe Valve

120T-PR/120T-PRLF



### 200 CWP BRONZE GLOBE VALVE

The APOLLOXPRESS® Model 120T-PR (33 Series) Globe valve with press connections is a proven combination that provides economical installation and reliable service. The valves are cast, machined, assembled, and tested in South Carolina with proven ASTM quality material. The Apollo Globe valve can reliably be installed in most plumbing and heating systems (or building service piping).

## APOLLOXPRESS® Gate Valves

101T-PR/101T-PRLF



### 200 CWP BRONZE RS GATE VALVE

The APOLLOXPRESS® Model 101T-PR (30 Series) NRS Gate valve with Press connections is a proven combination that provides economical installation and reliable service. The valves are cast, machined, assembled, and tested in South Carolina using proven ASTM quality materials. It can reliably be installed in most plumbing and heating systems including building service piping.

102T-PR/102T-PRLF



### 200 CWP BRONZE NRS GATE VALVE

The APOLLOXPRESS® Model 102T-PR (30 Series) NRS Gate valve with Press connections is a proven combination that provides economical installation and reliable service. The valves are cast, machined, assembled, and tested in South Carolina with proven ASTM quality material. It can reliably be installed in most plumbing and heating systems or building service piping.

## APOLLOXPRESS® Swing Check

163T-PR/163T-PRLF



### 200 CWP BRONZE SWING CHECK

The APOLLOXPRESS® Model 163T-PR (61Y Series) PTFE seat Swing Check valve with press connectors is a proven combination that provides economical installation and reliable service. These valves are cast, machined, assembled, and tested in South Carolina using proven ASTM quality materials.

## APOLLOXPRESS® Inline Check

61/61LF SERIES



### INLINE CHECK VALVE

The APOLLOXPRESS® Model CVB-PR (61 Series) BALL-CONE® check valves with Press connections offer reliable protection against reverse flow in a variety of liquid applications including hot and chilled water / HVAC applications using proven ASTM quality materials. May be installed in both horizontal and vertical flow with upward flow.

## APOLLOXPRESS® Wye Strainer

59/59LF SERIES



### BRONZE WYE STRAINER

The APOLLOXPRESS® Model YB-PR (59 Series) Strainers with Press connections are designed to protect domestic water systems and process equipment from unwanted foreign particles with minimal pressure loss. The valves have maximum screen area and are built with proven ASTM grade materials and stainless steel strainer. Features Leak Before Press® technology and 250 psig maximum working pressure.

# APOLLOXPRESS® NEW PRODUCTS

## APOLLOXPRESS® Backflow Prevention

### RP 4A/RP 4ALF SERIES



#### REDUCED PRESSURE VALVES

The APOLLOXPRESS® Model RP4A series Reduced Pressure Backflow Preventers with Press end connections provide maximum protection against back-siphonage or backpressure from substances that are hazardous to the potable water supply. The top accessed modular check valve cartridges provide captured springs, replaceable seats and reversible silicone seat discs. This Made in America / 5 year factory warranty assembly features APOLLOXPRESS® ball valves with stainless steel handles and trim as standard and Leak Before Press® technology.

## APOLLOXPRESS® Water Pressure Reducing Valves

### 36/36LF SERIES



#### PRESSURE REDUCING VALVE

The APOLLOXPRESS® Model PR-PR (36 Series) Pressure Reducing Valves with Press end connections are designed to protect residential and commercial water distribution systems by controlling excessive pressures. The valves are built for long reliable service with proven ASTM grade materials including a bronze body and cover and integral stainless steel strainer.

### 36C/36CLF SERIES



#### PRESSURE REDUCING VALVE

The APOLLOXPRESS® Model PRC-PR (36C Series) Pressure Reducing Valves with Press connections are easily installed to protect residential and commercial water distribution systems by automatically controlling excessive pressure. The dielectric thermoplastic cage provides maximum corrosion resistance. Designed for easy in-line servicing with bottom cleanout and service access.

### 36E/36ELF SERIES



#### PRESSURE REDUCING VALVE

The APOLLOXPRESS® Model PRE-PR (36E Series) Pressure Reducing Valve with Press connections is easily installed to protect residential and commercial water distribution systems by automatically reducing excessive supply pressures. The dezincification resistant bronze body, stainless steel adjusting screw and dielectric polymer cage provide maximum corrosion resistance. Designed for easy in-line servicing with simple cartridge removal.

## APOLLOXPRESS® Fittings

### SMALL DIAMETER FITTINGS



The APOLLOXPRESS® small diameter fittings (1/2" - 2") feature copper-body construction for most configurations. The lead-free design offers a Leak Before Press® feature. The forward lip aids in the alignment of the copper tube during insertion, reducing the risk of o-ring damage. These fittings are approved for underground applications and are ideal for service and repair. Pre-lubricated, they are fast and simple to install. Copper fittings are Lead Free and Made in the USA.

### LARGE DIAMETER FITTINGS



The APOLLOXPRESS® large diameter copper fittings (2-1/2" - 4") feature a patented solid cross-section grab ring, creating significant contact with the tube after pressing. The Leak Before Press® feature allows water to flow past the sealing element during pressure testing if the fitting has not been pressed. Last, but certainly not least, we've added a visual element: if the break-away band is still on the fitting, it needs to be checked. Lead Free and Made in the USA.

# COMMERCIAL PRODUCTS CATALOG

## Balancing Valves

### 58A SERIES



Apollo Model 58A balance provide two position hydronic circuit isolation capability and multi-turn throttling adjustment required for proportional balancing of hydronic systems. The valve has a unique needle valve adjustment, with integrated digital readout. Available in NPT, Sweat and XPress connections.

#### FEATURES

- DZR brass body
  - P/T plugs
  - Compatible with all flow meters
  - Easy adjustment & setpoint indicator
  - Isolated flow shut-off, does not affect adjustments
  - Reversible lever
- See page 93 for more information.*

### 58B SERIES



Apollo Model 58B balance valves proportionally balance hydronic systems. Flow measurement is achieved through an integrated venturi flow meter affixed to an Apollo LD-141 butterfly valve. Available in Flanged Connections.

#### FEATURES

- P/T plugs
  - Compatible with All Flow Meters
  - Easy Adjustment & Setpoint Indicator
  - Compatible with ANSI 125# & 150# Flanges
  - Memory Stop
  - Conforms to MSS SP-67 & API 609
  - Meets performance requirements of AWWA C-504
- See page 93 for more information.*

## Butterfly Valves

### LD/WD 145 SERIES



WD 145 Wafer  
2" - 12"

LD 145 Lug  
2" - 12"

#### MADE IN AMERICA

The Apollo LD/WD Series ductile iron butterfly valves are ideal for use in industrial and HVAC/mechanical applications. The WD Series is a wafer style valve and the LD Series is a lug style.

#### FEATURES

- Compatible with ANSI 125# & 150# flanges
  - ISO 5211 top plate allows choice of Apollo pneumatic actuators and manual operators
  - Conforms to MSS SP-67 & API 609
  - LD141 Series suitable for end of line service to rated pressure
  - 3"-24" meet performance requirements of AWWA C-504
- See page 55 for more information.*

## Ball Valves

### 82LF SERIES



#### LEAD FREE - FULL PORT BRONZE THREE-PIECE SOLDER/BRAZED END VALVE

Valve features full port and is easily repaired inline. Designed for soft soldering or brazed installation. Includes RPTFE seats and seals.

#### FEATURES

- ASTM B584 Lead Free Bronze
  - SAE Grade 8 body bolts
  - 600 CWP, non-shock
  - 150 SWP steam rating
  - 82-24X with SS ball & stem option
- See page 43 for more information.*

### 77F/77FLF SERIES



#### FULL PORT THREADED BRASS BALL VALVE

The Apollo 77F-100 Series is a full port forged brass ball valve suitable for a wide range of plumbing and heating applications. These NPT threaded, 2-piece valves combine reliable operation with maximum economy. Valves include most pertinent agency approvals. Proudly Made in the USA.

#### FEATURES

- Heavy Pattern Forged Design
  - Full-Port Flow
  - Superior RPTFE Seats and Packing
  - Adjustable Stem Packing
  - Blow-Out Proof Stem
  - Corrosion Resistant Materials
  - Silicone Free Assembly
  - 100% Factory Tested
  - Made in USA, ARRA Compliant
- See website for more information.*

## WE'RE GROWING ...

"Apollo" Valves has a reputation for high quality products, exceptional sales support and on-time delivery. At Apollo®, we strive to provide you with the latest the industry has to offer, and with that, expanding our product line to better suit your needs.

Meet the new addition to  
the Family



### XPress

At the heart of Apollo® XPress Fire is the XPress galvanized and stainless steel piping systems. A labor saving, high quality addition to traditional threaded pipe and fittings that is ideal for both new construction and retrofit projects including hospitals, hotels, food and beverage and complex fire sprinkler layouts.



The **FIRST** and **ONLY** press system  
both UL Listed and FM Approved.



© 2012 Apollo Valves, Manufactured by Conbraco Industries



See *Xpress Fire Protection Installation Guide (XPFPIG)* for more detailed information about the Apollo XPress Fire products in this section.

# APOLLO XPRESS FIRE NEW PRODUCTS

## Apollo XPress Fire



XPress, by Apollo XPress Fire is the thread and groove free method of joining fire sprinkler piping cleanly and in less time. Contractors choose to use XPress rather than threaded systems for the labor savings, peace of mind and everything in-between.

The XPress systems' innovative advancements include a tool that weighs less than ten pounds and a full line product offering utilizing state of the art manufacturing techniques with 100% on-line quality testing. These innovations provide contractors multiple benefits including labor savings, a clean, grease free joint and consistency when making connections.

XPress, perfect for both retrofit and new construction projects is ideal for hospitals, hotels, dormitories, apartments, food and beverage, petrochemical, schools, places of worship and exposed residential basements to name a few.

XPress...for the perfect fit!"

### XPRESS GALVANIZED SPRINKLER SYSTEM



The UL Listed and FM Approved system for wet fire sprinkler applications saves contractors valuable time. Available in system sizes 1" - 4", includes galvanized pipe and fittings and lightweight tools manufactured by Novopress.

### XPRESS STAINLESS STEEL SPRINKLER SYSTEM



The UL Listed and FM Approved system for wet and dry fire sprinkler applications saves contractors valuable time. Available in system sizes 1" - 4", includes type 316 pipe and fittings and lightweight tools manufactured by Novopress.

### XPRESS TOOLS & ACCESSORIES



Tools and jaws to make XPress connections from 1"-4". Lightweight and battery powered tools are manufactured by NovoPress.





# BALL VALVES

# COMMERCIAL PRODUCTS CATALOG

## Apollo Ball Valve Numbering System

APOLLO NUMBERING SYSTEM FORMULA: 70 - 105 - 01

XX	-	X	X	X	- XX
SERIES		CONFIGURATION	VARIATIONS	SIZE*	OPTIONS
32		1 = FNPT	4 = 316 Stainless Steel	1 = 1/4"	-01 = Standard
50		2 = Solder	Ball & Stem	2 = 3/8"	-02 = Grounded
51		3 = Union End NPT	9 = Pinned Retainer	3 = 1/2"	-04 = 2-1/4" Stem extension
6P		4 = Union End Solder		4 = 3/4"	-05 = Plain Ball
		5 = Spring Return		5 = 1"	-07 = Tee Handle
6Q		6 = 3-Way NPT		6 = 1-1/4"	-08 = 90° Reversed Stem
		7 = Full-Port Refrigeration Valves		7 = 1-1/2"	-10 = Stainless Steel Lever & Nut
64		8 = Male X FNPT		8 = 2"	-11 = Therma-Seal™ Insulating Handle
64W		9 = 3-Way Solder		9 = 2-1/2"	-12 = Stamped "157 SWP" & Bagged
70				0 = 3"	-13 = Stamped "157 SWP"
70LF				A = 4"	-14 = Side Vented Ball (uni-directional)
71					-15 = Round Handle, Steel
75					-16 = Chain Lever - Vertical
77					-17 = Rough Chrome Plated
77B					-18 = Plain Yellow Grip
77C					-19 = Lock Plate
77CLF					-20 = Slot Vented Ball (bi-directional)
77D					-21 = UHMWPE Trim (non-PTFE)
					-24 = Graphite Packing
77W					-27 = Stainless Steel Latch-Lock Lever & Nut
77WLF					-30 = Cam-Lock and Grounded
					-31 = 77B Series w/Boss NOT Drilled/Tapped
77X					-32 = Stainless Steel Tee Handle & Nut
78					-35 = VTFE Trim (PTFE)
79					-36 = Stainless Steel Hi-Rise Round Handle, Stainless Steel Nut
77B					-39 = SS Hi-rise Locking Round Handle, SS Nut
7K					-40 = Cyl-Loc and Grounded
80					-41 = Automatic Drain
82					-45 = Less Lever and Nut
82LF					-46 = Latch-Lock Lever - Lock in Closed Position Only
90					-47 = SS Oval Latch-Lock Handle & Nut
94A					-48 = SS Oval Handle (No Latch) & Nut
94ALF					-49 = Assembled Dry
94MBV					-50 = 2-1/4" Carbon Steel Locking Stem Extension
95					-56 = Multifill Seats & Packing
95LF					-57 = Oxygen Cleaned
95A					-58 = Chain Lever - Horizontal
9A					-59 = SS External Trim - 3-pc. Valves & Flange
					-60 = Grounded Ball & Stem
					-62 = Body Center Section
					-63 = NPT x Solder
					-64 = 250 SWP
					-65 = Multifill Seats & Graphite Packing
					-72 = RTFE Packing
					-83 = SS Tee Handle & Nut (77B)
					-84 = Reverse SS Tee Handle & Nut (77B)
					-85 = Short Tee Handle (77B)
					-92 = Memory Stop
					-94 = -04 & balancing stop
					-BC = Ball Check
					-HC = Hose Thread and Cap Option
					-SV = Safety vent - 77-100/7K-100 series (Auto drain)
					-SW = Limit switch mounted
					-TH = Tested, Hydrostatic
					-TC = Tested, Hydrostatic, w/certification
					-TW = Tested, Hydrostatic, w/witness and certification

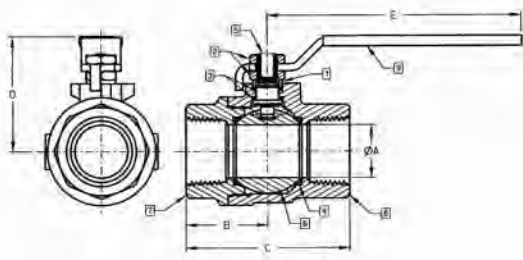
\*BODY SIZE WHEN ENDS ARE MIXED.

\*\* LEAD FREE: The wetted surfaces of this product shall contain no more than 0.25% lead by weighted average. Complies with CA AB1953, VT Act 193, MD HB372, LA HB471 and Federal Public Law 111-380.

NOTE: NOT ALL VARIATIONS AND FEATURES ARE AVAILABLE ON SAME VALVE. CONSULT CONBRACO REPRESENTATIVE.

## Full-Port Bronze Ball Valves

### 77C-100/200 SERIES



### CONTRACTOR SERIES FULL PORT BRONZE BALL VALVE WITH SOLID BALL

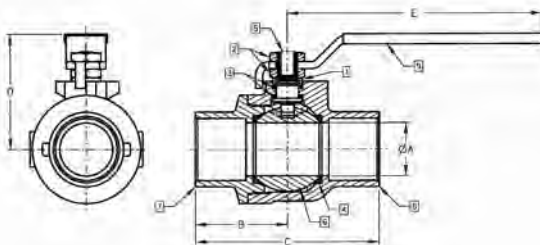
Apollo's® solid ball design delivers true full-port performance with 100 percent American construction.

#### FEATURES

- ASTM grade bronze castings
- Solid brass ball, plated
- 600 psig CWP, non-shock
- 150 SWP steam rating
- Premium multi-fill MTFE seats and stem packing
- Adjustable stem packing
- Blow-out proof stem design
- Vacuum service to 29 in. Hg
- Full-port design through 2-1/2"
- Reversible handle orientation
- Also available in a Lead free\* version as the 77CLF Series. Same full port features as 77C Series. ANSI/NSF61 Section 8, Annex F & G listed.
- Available with stainless steel vented ball and stem as 77C-140 Series (threaded), 77C-240 Series (solder).
- ANSI B16.18 solder end version available as 77C-200 Series

#### OPTIONS

- 2-1/4" stem extension (-04)
- CS tee handle (-07)
- Therma-Seal™ insulating tee handle (-11)
- Chrome plated (-17) NPT only
- SS Latch-lock handle (-27),
- SS oval locking handle (-47)
- Stem extension and balancing stop (-94)
- SS vented ball and stem (77C140 and 77C240 series)
- Other handle options available



Model Number	LF Model Number	Size (in.)	Dimensions (in.)					Cv	Wt. (lbs.)
			A	B	C	D	E		
<b>Threaded Connection</b>									
77C-101-01	77CLF-101-01	1/4	0.37	0.95	1.97	1.76	3.74	4.5	0.6
77C-102-01	77CLF-102-01	3/8	0.37	1.07	2.09	1.76	3.74	7.2	0.6
77C-103-01	77CLF-103-01	1/2	0.50	1.15	2.25	1.79	3.74	15.5	0.6
77C-104-01	77CLF-104-01	3/4	0.75	1.32	2.65	2.00	4.88	35.6	1.1
77C-105-01	77CLF-105-01	1	1.00	1.53	3.07	2.19	4.88	68.1	1.8
77C-106-01	77CLF-106-01	1-1/4	1.25	2.04	4.08	3.13	7.06	125.0	4.2
77C-107-01	77CLF-107-01	1-1/2	1.50	2.21	4.43	3.29	7.06	177.0	4.6
77C-108-01	77CLF-108-01	2	2.00	2.76	5.29	3.83	7.06	389.0	8.1
77C-109-01	77CLF-109-01	2-1/2	2.50	3.12	6.37	4.51	8.06	503.0	16.2
<b>Solder Connection</b>									
77C-202-01	77CLF-202-01	3/8	0.37	1.30	2.21	1.76	3.74	7.2	0.6
77C-203-01	77CLF-203-01	1/2	0.50	1.41	2.58	1.79	3.74	15.5	0.6
77C-204-01	77CLF-204-01	3/4	0.75	1.64	3.03	2.00	4.88	35.6	1.0
77C-205-01	77CLF-205-01	1	1.00	1.92	3.61	2.19	4.88	68.1	1.6
77C-206-01	77CLF-206-01	1-1/4	1.25	2.36	4.44	3.13	7.06	125.0	3.9
77C-207-01	77CLF-207-01	1-1/2	1.50	2.63	4.89	3.29	7.06	177.0	5.8
77C-208-01	77CLF-208-01	2	2.00	3.17	6.06	3.83	7.06	389.0	10.2
77C-209-01	77CLF-209-01	2-1/2	2.50	3.77	7.14	4.51	8.06	503.0	14.8

# COMMERCIAL PRODUCTS CATALOG

## General Purpose Ball Valves

### 70-100/200 SERIES

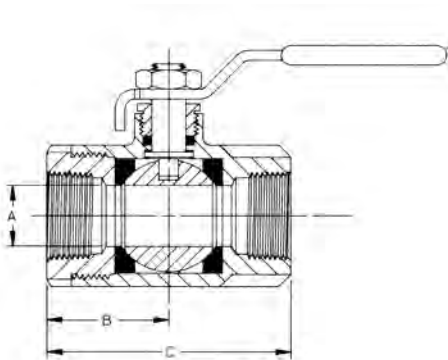


### BRONZE BALL VALVE

The Apollo® 70 series is the most widely used and trusted bronze ball valve in the industry. It features blowout-proof stem, RPTFE seats and stuffing box ring and plated brass ball.

#### FEATURES

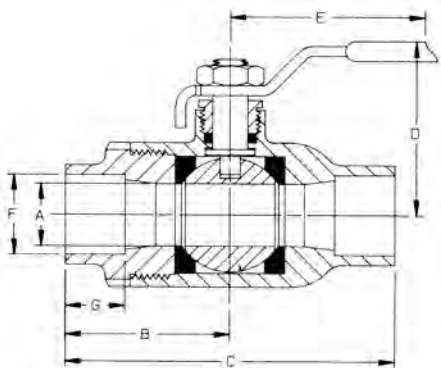
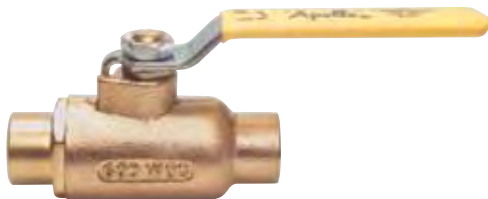
- Rated 600 psig CWP, non-shock
- 150 psig for saturated steam
- **Lead Free** option (70LF)
- 100% tested
- Vacuum service to 29 in. Hg
- NSF 61 Section 8, Annex F & G listed
- Adjustable packing gland
- Multiple options available (see pages 21-22)



Model Number	LF Model Number	Size (in.)	Dimensions (in.)*		
			A	B	C
<b>NPT</b>					
70-101-01	70LF-101-01	1/4	0.37	1.03	2.06
70-102-01	70LF-102-01	3/8	0.37	1.03	2.06
70-103-01	70LF-103-01	1/2	0.50	1.12	2.25
70-104-01	70LF-104-01	3/4	0.68	1.50	3.00
70-105-01	70LF-105-01	1	0.87	1.68	3.37
70-106-01	70LF-106-01	1-1/4	1.00	2.00	4.00
70-107-01	70LF-107-01	1-1/2	1.25	2.18	4.37
70-108-01	70LF-108-01	2	1.50	2.34	4.68
70-109-01A	70LF-109-01A	2-1/2	2.00	3.12	6.25
70-100-01	70LF-100-01	3	2.50	3.37	6.75
70-10A-01	70LF-10A-01	4	3.12	3.68	7.37

\* Body only. Total will vary with handle and end connection options. Contact Conbraco Customer Service for additional dimensions.

NOTE: 1/4", 3/8", and 1/2" are full port.



Model Number	LF Model Number	Size (in.)	Dimensions (in.)*						
			A	B	C	D	E	F	G
<b>Solder</b>									
70-202-01	70LF-202-01	3/8	0.37	1.28	2.56	1.75	3.87	0.505	0.37
70-203-01	70LF-203-01	1/2	0.50	1.43	2.87	1.75	3.87	0.63	0.50
70-204-01	70LF-204-01	3/4	0.68	1.93	3.87	2.12	4.87	0.88	0.75
70-205-01	70LF-205-01	1	0.87	2.25	4.50	2.25	4.87	1.13	0.90
70-206-01	70LF-206-01	1-1/4	1.00	2.31	4.62	2.62	5.50	1.38	0.96
70-207-01	70LF-207-01	1-1/2	1.25	2.62	5.25	3.06	8.00	1.63	1.09
70-208-01	70LF-208-01	2	1.50	3.18	6.37	3.25	8.00	2.13	1.34
70-209-01A	70LF-209-01A	2-1/2	2.00	3.74	7.51	3.72	8.00	2.63	1.48
70-200-01	70LF-200-01	3	2.50	4.12	8.25	4.12	8.00	3.13	1.67
70-20A-01	70LF-20A-01	4	3.12	4.61	9.22	5.22	9.94	4.13	2.16

\* Based on 70-200-01 – Dimensions may vary with options.  
Soldering temperature: 500°F or less

NOTE: 1/4", 3/8", and 1/2" are full port.

## 70 Series Options

### 70 SERIES

### OPTIONS

Apollo offers these options on the 70 Series as well as many other valve series.

70-100-04



#### STANDARD BALL VALVE WITH STEM EXTENSION

Ideal for hydronic or low pressure steam applications, this valve features a stem extension to accommodate insulation or to relocate handle position. This ball valve is equipped with chromium-plated ball, RPTFE seats and stuffing box ring, a blowout-proof stem design and adjustable packing gland.

70-100-16/58



#### CHAIN LEVER BALL VALVES

Reliable quarter turn operation in overhead applications. A favorite for use in industrial environments. Standard design features include blowout-proof stem and RPTFE seats and seals.

- Specify suffix -16 for assembly with valve in vertical position
- Specify -58 for valve in horizontal position

70-100-07



#### THREADED VALVE WITH TEE HANDLE

Tee handle is ideal when space is limited and where safety is a consideration. Handle still provides visual indication of OPEN or CLOSED position. Valve features a chromium-plated ball, RPTFE seats and stuffing box ring, a blowout-proof stem design and adjustable packing gland.

- Rated 600 psig CWP non-shock
- 150 psig for saturated steam

70-100-08



#### THREADED BALL VALVE WITH 90° REVERSED STEM

Use in applications when handle is required to be in a parallel position when closed. Features chromium-plated ball, RPTFE seats and stuffing box ring. Rated 600 psig CWP, non-shock; 150 psig for saturated steam.

- Blowout-proof stem design
- Adjustable packing gland

70-100-11



#### THREADED VALVE WITH THERMA-SEAL® HANDLE NEW UL 2043 CLASSIFIED

The Therma-Seal thermal insulating tee-handle is designed to be use in applications where piping insulation is required. Manufactured from high strength glass reinforce nylon, these handles are ideally suited for the toughest commercial and industrial applications. Handles are available as a factory installed option (-11 option suffix) or as a kit for retro fits.

70-100-17



#### THREADED VALVE WITH ROUGH CHROME PLATING

Use where a clean environment is required; for matching up with other chrome-plated equipment. Features a chromium-plated ball, RPTFE seats and stuffing box ring, a blowout-proof stem design and adjustable packing gland.

- Rated 600 psig CWP, non-shock
- 150 psig for saturated steam

70-100-27



#### THREADED BALL VALVE WITH LATCH LOCK

Sliding lock mechanism secures handle in open or closed position. Valve can also be padlocked open or closed. Valve features blowout proof stem, RPTFE seats and stuffing box ring, chrome plated ball and adjustable packing gland.

- 600 psig CWP, non-shock
- 150 psig for saturated steam
- Available with auto drain option for pneumatic applications. Use the following suffix key to specify latch lock valve with auto drain option: -27 -41

# COMMERCIAL PRODUCTS CATALOG

## 70 Series Options

### 70 SERIES

### OPTIONS

Apollo offers these options on the 70 Series as well as many other valve series.

70-100-41



#### BALL VALVE WITH AUTOMATIC DRAIN

When this valve is shut-off for maintenance of pneumatic tool, pressure from valve to tool is automatically drained to atmosphere to prevent accidental operation of the tool, causing possible injury.

- Conforms to certain OSHA requirements in pneumatic installations
- Easy, safe maintenance of pneumatic tools
- Cannot be used where drained media could cause damage
- Temperature range = 50°F to 200°F
- Rated 125 psig CWP, non-shock air or water
- Available with latch lock option, specify -27 -41 suffix

70-100-30



#### THREADED BALL VALVE WITH CAM-LOCK® HANDLE

Patented Cam-Lock® handle gives valve extra protection against accidental operation. Reliable quarter-turn shut-off from a versatile, ruggedly built valve.

- RPTFE seats and stuffing box ring
- Rated 600 psig CWP, non-shock

70-100-94



#### BALL VALVE WITH BALANCING STOP AND STEM EXTENSION

Ideal for HVAC systems. Stop plate and a 2-1/4" stem extension combination to accommodate insulation and handle repositioning.

- ASTM B584 Bronze
- RPTFE seats
- Vacuum service to 29 in. Hg
- Blowout-proof stem design
- Adjustable packing gland
- 600 psig CWP cold, non-shock

Contact customer service for exact handle dimensions

## Steam Valves

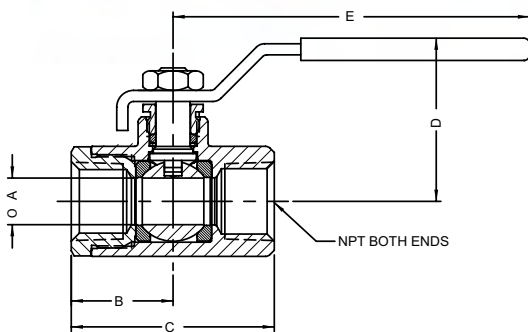
### 70-140-64 SERIES

#### 250 LB. BRONZE STEAM BALL VALVE

Designed for reliable operation on high pressure steam systems and with fluids of widely varying temperatures. Stainless steel slot vented ball and stem standard.

#### FEATURES

- Heavy cast bronze body
- ASTM B584 bronze body
- Slot vented stainless steel ball
- Special high-temperature MTFE seats and stem packing
- 250 SWP rating
- Red handle graphics for identification
- American-made bronze casting



Model Number	Size (in.)	Dimensions (in.)				
		A	B	C	D	E
70-141-64	1/4	0.37	1.03	2.06	1.75	3.87
70-142-64	3/8	0.37	1.03	2.06	1.75	3.87
70-143-64	1/2	0.50	1.12	2.25	1.75	3.87
70-144-64	3/4	0.68	1.50	3.00	2.12	4.87
70-145-64	1	0.87	1.68	3.37	2.25	4.87
70-146-64	1-1/4	1.00	2.00	4.00	2.62	5.50
70-147-64	1-1/2	1.25	2.18	4.37	3.06	8.00
70-148-64	2	1.50	2.34	4.68	3.25	8.00
70-140-64	3	2.50	3.37	6.75	4.12	8.00

(Also available in 71 & 77 Series)

## Bronze Ball Valves for Steam Boiler Service

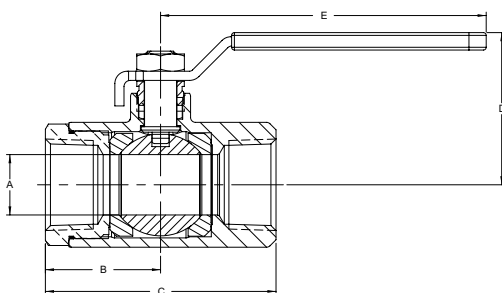
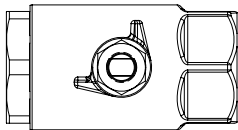
### 70B-140 SERIES

#### B31.1 POWER PIPING BRONZE BALL VALVE

The Apollo® 70B series offers the same rugged features as the standard 70 series valves but with materials of construction that meet the latest requirements of the ASME B31.1 Power Piping Code for steam service. This valve provides proven performance and Code compliance for B31.1 Power Piping applications.

#### FEATURES

- ASTM B62 Bronze body and retainer
- Stainless Steel ball & stem
- Body is marked "250 SWP" and "B62"
- Pressure balanced slot-vented ball
- Blow-out proof stem design
- Premium MPTFE seats and stem packing
- 100% factory tested
- Made in USA

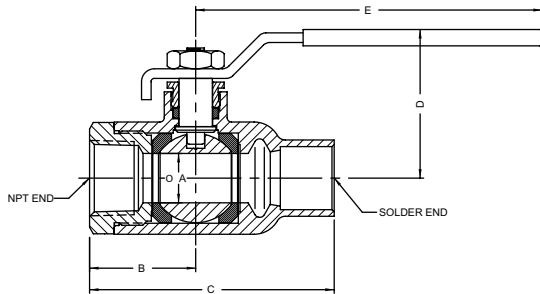


Model Number	Size (in.)	Dimensions (in.)					Wt. (lb.)
		A	B	C	D	E	
70B-141-64	1/4"	0.37	1.03	2.06	1.75	3.87	0.60
70B-142-64	3/8"	0.37	1.03	2.06	1.75	3.87	0.56
70B-143-64	1/2"	0.50	1.12	2.25	1.75	3.87	0.63
70B-144-64	3/4"	0.68	1.50	3.00	2.12	4.87	1.39
70B-145-64	1"	0.87	1.68	3.37	2.25	4.87	1.72
70B-146-64	1-1/4"	1.00	2.00	4.00	2.62	5.50	3.26
70B-147-64	1-1/2"	1.25	2.18	4.37	3.06	8.00	4.61
70B-148-64	2"	1.50	2.34	4.68	3.25	8.00	6.06

# COMMERCIAL PRODUCTS CATALOG

## General Purpose Ball Valves

### 70-200-63 SERIES



### BALL VALVE WITH FNPT x SOLDER ENDS

Eliminates special pipe connector for connecting dissimilar piping such as iron and copper. Reliable shut-off and easy quarter-turn operation.

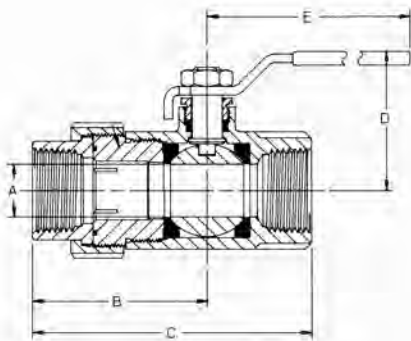
#### FEATURES

- Rated 600 psig CWP, non-shock
- Body is solder, retainer is threaded FNPT
- ASTM B584 Bronze
- Blowout-proof stem design
- RPTFE seats and stuffing box ring
- Vacuum service to 29 in. Hg

Model Number	Size (in.)	Dimensions (in.)				
		A	B	C	D	E
70-202-63	3/8	0.37	1.02	2.30	1.75	3.87
70-203-63	1/2	0.50	1.09	2.51	1.75	3.87
70-204-63	3/4	0.68	1.48	3.41	2.12	4.87
70-205-63	1	0.87	1.67	3.91	2.25	4.87
70-206-63	1-1/4	1.00	1.98	4.28	2.62	5.50
70-207-63	1-1/2	1.25	2.19	4.75	3.06	8.00
70-208-63	2	1.50	2.35	5.51	3.25	8.00
70-200-63	3	2.50	3.37	7.49	4.12	8.00

NOTE: 3/8" and 1/2" are full port.

### 70-300/400 SERIES



### BALL VALVE WITH FNPT x UNION END

This valve combines a pipe union with ball valve shut-off; it saves time and labor by eliminating the need for extra connections. Viton O-ring sealed union requires light torque for proper seal.

#### FEATURES

- ASTM B584 Bronze
- Blowout-proof stem design
- Adjustable packing gland
- 600 psig CWP, non-shock
- NPT and solder union connection
- Vacuum service to 29 in. Hg

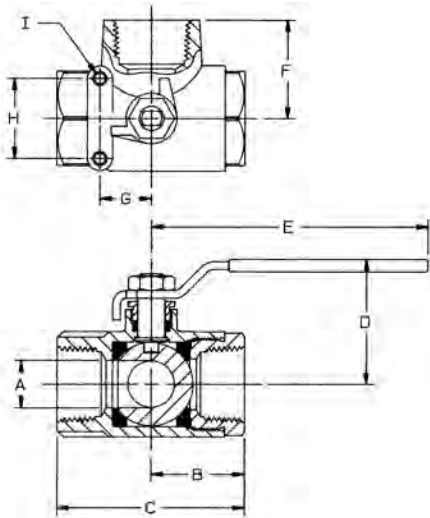
Model Number	Size (in.)	Dimensions (in.)				
		A	B	C	D	E
<b>NPT</b>						
70-301-01	1/4	0.37	1.90	2.93	1.75	3.87
70-302-01	3/8	0.37	1.90	2.93	1.75	3.87
70-303-01	1/2	0.50	2.01	3.14	1.81	3.87
70-304-01	3/4	0.68	2.46	3.96	2.12	4.87
70-305-01	1	0.87	2.78	4.46	2.25	4.87
70-306-01	1-1/4	1.00	2.68	4.68	2.62	5.50
70-307-01	1-1/2	1.25	2.87	5.06	3.05	8.00
70-308-01	2	1.50	3.25	5.59	3.24	8.00
<b>Solder</b>						
70-403-01	1/2	0.50	2.00	3.43	1.75	3.87
70-404-01	3/4	0.68	2.62	4.56	2.06	4.78
70-405-01	1	0.87	2.81	5.06	2.25	4.78
70-406-01	1-1/4	1.00	2.87	5.18	2.62	5.50
70-407-01	1-1/2	1.25	2.92	5.53	3.10	8.00
70-408-01	2	1.50	3.50	6.75	3.24	8.00

NOTE: 1/4", 3/8", and 1/2" are full port.



## Diverter Valves

### 70-600 SERIES



### THREADED 3-WAY BALL VALVE

Ideal for applications requiring flow diversion, this valve combines the features of two valves. Its large ports make tank selection and fluid transfers quicker and easier. Easy quarter-turn operation.

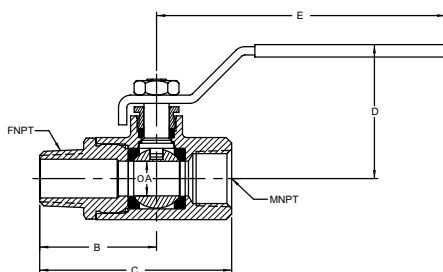
#### FEATURES

- Simple quarter-turn operation
- ASTM B584 Bronze
- 400 psig CWP, non-shock
- Blowout-proof stem
- Adjustable stem packing
- Vacuum service to 29 in. Hg

Model Number	Size (in.)	Dimensions (in.)								
		A	B	C	D	E	F	G	H	I
70-601-01	1/4	0.37	1.12	2.32	1.80	3.88	1.18	0.875	1.37	10-24
70-602-01	3/8	0.37	1.12	2.32	1.80	3.88	1.18	0.875	1.37	10-24
70-603-01	1/2	0.50	1.09	2.25	1.75	3.87	1.18	0.87	1.37	10-24
70-604-01	3/4	0.68	1.50	3.00	2.12	4.87	1.62	0.87	1.37	10-24
70-605-01	1	0.81	1.59	3.18	2.25	4.87	1.71	0.87	1.37	10-24
70-606-01	1-1/4	1.00	1.97	3.95	2.69	5.50	2.01	0.93	1.50	1/4-20
70-607-01	1-1/2	1.25	2.21	4.40	2.87	5.50	2.38	0.94	1.50	1/4-20
70-608-01	2	1.50	2.34	4.69	3.00	5.50	2.50	0.94	1.50	1/4-20

## General Purpose Ball Valves

### 70-800 SERIES



### MALE X FEMALE NPT BALL VALVE

Eliminates need for extra nipple when connecting to female connection to save time and labor. Ruggedly built for lasting performance with chromium-plated ball and blowout-proof stem.

#### FEATURES

- 600 psig CWP, non-shock
- 150 SWP steam rating
- RPTFE seats and stuffing box ring
- Adjustable stem packing
- Vacuum service to 29" Hg.

Model Number	Size (in.)	Dimensions (in.)				
		A	B	C	D	E
70-801-01	1/4	0.37	1.40	2.43	1.75	3.87
70-802-01	3/8	0.37	1.46	2.50	1.75	3.87
70-803-01	1/2	0.50	1.68	2.81	1.81	3.87
70-804-01	3/4	0.68	2.00	3.50	2.12	4.87
70-805-01	1	0.87	2.31	4.00	2.25	4.87
70-806-01	1-1/4	1.00	2.31	4.31	2.62	5.50
70-807-01	1-1/2	1.25	3.00	5.18	3.06	8.00

NOTE: 1/4", 3/8", and 1/2" are full port.

## Diverter Valves

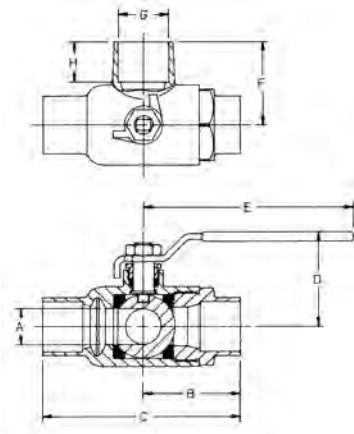
### 70-900 SERIES

### 3-WAY DIVERTER VALVE WITH SOLDER ENDS

Tank selection and fluid transfers are easier because of large port diameters. The valve is 100 percent air tested under water. Designed to be soft soldered without disassembly.

#### FEATURES

- Simple quarter-turn operation
- ASTM B584 Bronze
- 400 psig CWP, non-shock
- Blowout-proof stem
- Adjustable packing



Model Number	Size (in.)	Dimensions (in.)							
		A	B	C	D	E	F	G	H
70-903-01	1/2	0.50	1.44	2.87	1.75	3.87	1.34	0.628	0.50
70-904-01	3/4	0.68	1.94	3.87	2.12	4.87	1.69	0.878	0.90
70-905-01	1	0.81	2.19	4.42	2.25	4.87	1.87	1.129	0.90

## Specialty Valves

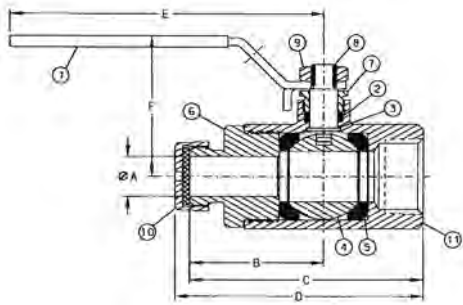
### 70-HC SERIES

#### CAP & CHAIN VALVE WITH 3/4 INCH HOSE CONNECTION, HEAVY BRASS CAP AND REVERSE HANDLE

Ideally suited for HVAC systems, these valves allow direct connections to hoses. Valve features a securely attached cover (includes chain) which prevents damage to hose threads. -200 model designed for soft soldering into lines without disassembly.

#### FEATURES

- Reverse lever is standard for easier installation
- Stainless steel lever & nut standard
- NPT and solder connections
- ASTM B584 Bronze
- Blowout-proof stem design
- RPTFE seats and stuffing box ring
- Adjustable packing gland
- Full pressure rated brass hose cap
- Thermo-Seal® insulating lever option (-11)
- Stainless Steel ball and stem option (70-14X-HC)



Model Number	Size (in.)	Dimensions (in.)					
		A	B	C	D	E	F
70-103-HC	1/2 NPT x 3/4 Hose	0.50	1.68	2.81	2.97	3.87	1.75
70-104-HC	3/4 NPT x 3/4 Hose	0.68	1.96	3.50	3.67	4.87	2.12
70-105-HC	1 NPT x 3/4 Hose	0.87	2.24	3.92	4.16	5.28	2.43
70-203-HC	1/2 Solder x 3/4 Hose	0.50	1.68	3.14	3.28	3.89	1.75
70-204-HC	3/4 Solder x 3/4 Hose	0.68	1.96	3.94	4.09	4.89	2.12
70-195-HC	1 Solder x 3/4 Hose	0.87	2.24	4.49	4.73	5.28	2.43

## Regular Port Economy Ball Valves

### 32-100 SERIES

#### REGULAR PORT THREADED END BRONZE BALL VALVE

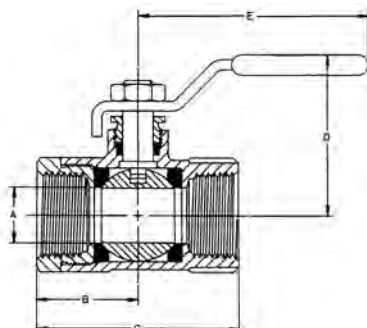
NPT threaded ball valve rated to 400 psig CWP, non-shock and 125 psig for saturated steam. Blowout-proof stem design with adjustable packing gland.

#### FEATURES

- ASTM B584 Bronze
- PTFE seats and MPTFE stuffing box ring

#### OPTIONS

- 2-1/4" stem extension (-04)
- Tee handle (-07)
- Round handle (-15)
- SS latch-lock lever & nut (-27)
- Balancing stop (-92)

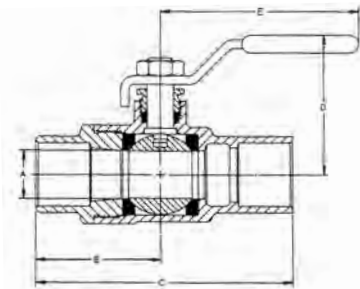


Model Number	Size (in.)	Dimensions (in.)				
		A	B	C	D	E
32-101-01	1/4	0.37	0.80	1.60	1.65	2.87
32-102-01	3/8	0.37	0.80	1.60	1.65	2.87
32-103-01	1/2	0.40	1.00	2.00	1.68	2.87
32-104-01	3/4	0.65	1.20	2.41	1.90	3.87
32-105-01	1	0.75	1.55	3.09	2.18	4.87
32-106-01	1-1/4	1.00	1.72	3.44	2.53	5.50
32-107-01	1-1/2	1.12	1.93	3.87	2.69	5.50
32-108-01	2	1.50	2.17	4.37	2.94	5.50

# COMMERCIAL PRODUCTS CATALOG

## Regular Port Economy Ball Valves

### 32-200 SERIES



### REGULAR PORT SOLDER END BRONZE BALL VALVE

Solder end ball valve with vacuum service to 29" Hg. 400 psig CWP, non-shock 125 psig for saturated steam. Blowout-proof design with adjustable packing gland.

#### FEATURES

- ASTM B584 Bronze
- PTFE seats and MPTFE Stuffing box ring

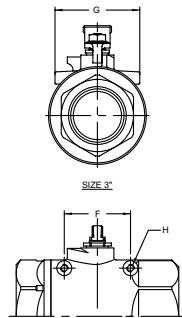
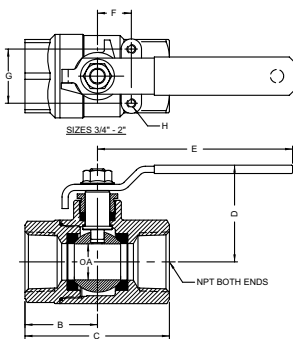
#### OPTIONS

- 2-1/4" stem extension (-04)
- Tee handle (-07)
- Round handle (-15)
- SS latch-lock lever & nut (-27)
- Balancing stop (-92)

Model Number	Size (in.)	Dimensions (in.)				
		A	B	C	D	E
32-203-01	1/2	0.40	1.29	2.65	1.68	2.87
32-204-01	3/4	0.65	1.73	3.56	1.90	3.87
32-205-01	1	0.75	2.11	4.26	2.18	4.87
32-206-01	1-1/4	1.00	2.36	4.60	2.53	5.50
32-207-01	1-1/2	1.12	2.84	5.42	2.69	5.50
32-208-01	2	1.50	3.33	6.48	2.94	5.50

## Ball Valves w/Mounting Pad

### 71-100 SERIES



### BALL VALVE WITH MOUNTING PAD

Designed to easily accommodate spring return handle, actuator or simple panel mounting. Threaded end connections with RPTFE seats and stuffing box ring.

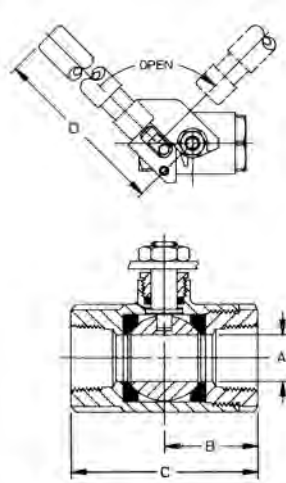
#### FEATURES

- 3/4" to 3" models (See 77 Series for 1/4" - 1/2")
- 600 CWP non-shock
- Blowout-proof stem
- ASTM B584 Bronze
- Round handle option
- Adjustable packing

Model Number	Size (in.)	Dimensions (in.)							
		A	B	C	D	E	F	G	H
71-104-01	3/4	0.68	1.50	3.00	2.12	4.87	0.87	1.37	10-24 NC
71-105-01	1	0.87	1.68	3.37	2.25	4.87	0.87	1.37	10-24 NC
71-106-01	1-1/4	1.00	2.00	4.00	2.62	5.50	0.93	1.50	1/4-20 NC
71-107-01	1-1/2	1.25	2.18	4.37	2.87	8.00	0.93	1.50	1/4-20 NC
71-108-01	2	1.50	2.34	4.68	3.06	8.00	0.93	1.50	1/4-20 NC
71-100-01	3	2.50	3.37	6.75	4.12	8.00	3.37	2.75	1/4-20 NC

## Shut-Off Ball Valves

### 71-500 SERIES



### VALVE WITH SPRING RETURN HANDLE

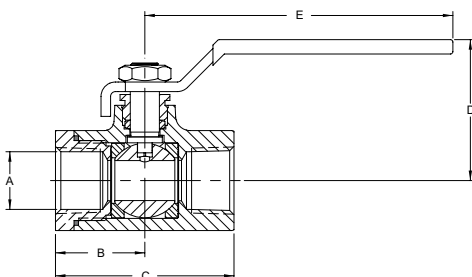
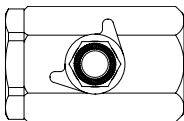
Ideal in applications where the valve must be in OFF position at all times such as feeding fuel lines. Can be used in reverse with 90° reverse stem option. Basic configuration: spring return to CLOSED. All lever components are stainless steel.

#### FEATURES

- Rated 600 psig CWP, non-shock
- 150 psig for saturated steam
- Spring return to OPEN (-08)

Model Number	Size (in.)	Dimensions (in.)			
		A	B	C	D
71-501-01	1/4	0.43	1.12	2.25	7.00
71-502-01	3/8	0.50	1.12	2.25	7.00
71-503-01	1/2	0.50	1.12	2.25	7.00
71-504-01	3/4	0.68	1.50	3.00	7.00
71-505-01	1	0.87	1.68	3.37	7.00
71-506-01	1-1/4	1.00	2.00	4.00	9.00
71-507-01	1-1/2	1.25	2.18	4.37	9.00
71-508-01	2	1.50	2.34	4.68	9.00

### 73A-100 SERIES



### CARBON STEEL BALL VALVE

Threaded, 2 piece design, 1/4" to 1" 2000 psig CWP, 1-1/4" to 2" 1500 psig CWP Cold Non-Shock. 150 psig Saturated Steam.

#### FEATURES

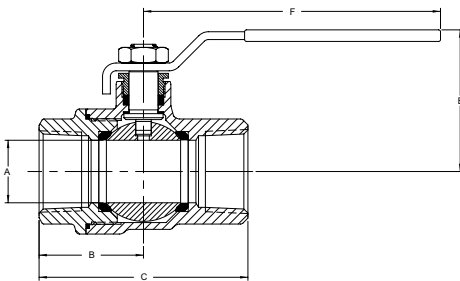
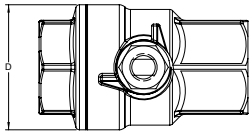
- RPTFE seats & packing
- Forged construction
- Raised handle stops
- Blow-out-proof stem design
- Adjustable packing gland
- Zinc phosphate corrosion protection
- (-24) Fire safe to API 607 4th ed. class 600 burn
- AAR Approved #E999032
- Vacuum Service to 29 inches Hg.

Model Number	Size (in.)	Dimensions (in.)				
		A	B	C	D	E
73A-101-01A	1/4"	.37	1.02	2.30	1.72	3.85
73A-102-01A	3/8"	.37	1.08	2.37	1.72	3.85
73A-103-01A	1/2"	.50	1.18	2.31	1.78	3.85
73A-104-01A	3/4"	.68	1.57	3.07	2.07	4.75
73A-105-01A	1"	.87	1.73	3.40	2.18	4.75
73A-106-01	1-1/4"	1.00	1.98	3.97	2.72	5.50
73A-107-01	1-1/2"	1.25	2.14	4.32	3.12	7.75
73A-108-01	2"	1.50	2.73	5.44	3.27	7.75

# COMMERCIAL PRODUCTS CATALOG

## Stainless Steel Full Port Ball Valves

### 76F-100-A SERIES



### STAINLESS STEEL FULL PORT BALL VALVE

Threaded, 2 piece design, 1/2"-2" 1000 psig CWP Cold Non-Shock, 150 psig. Saturated Steam, Vacuum Service to 29 inches Hg.

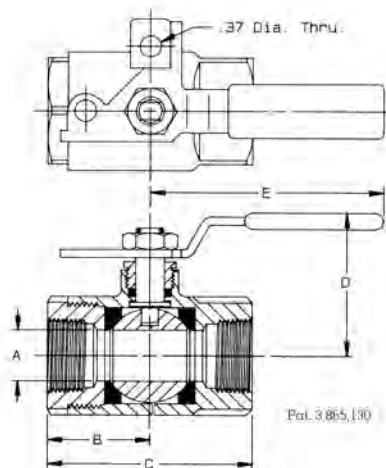
#### FEATURES

- 316 SS Investment cast components
- RPTFE seats
- Two-piece body
- Blow-out-proof stem design
- (-24) Certified to API 607, 6th Edition, Class 600 burn
- Adjustable packing gland
- Meets NACE MR-01-75-2000
- SS lever and nut
- Available with SS latch lock lever (-27)
- Therma Seal tee handle option (-11)
- Standard valve is certified **Lead Free**
- ANSI NSF-61G/ NSF-372

Model Number	Size (in.)	Dimensions (in.)						Wt.
		A	B	C	D	E	F	
76F-103-01A	1/2"	.50	1.21	2.35	1.27	1.73	3.85	0.57
76F-104-01A	3/4"	.75	1.39	2.77	1.62	1.96	3.85	0.91
76F-105-01A	1"	1.00	1.67	3.34	2.00	2.27	4.75	1.38
76F-106-01A	1-1/4"	1.25	1.96	3.92	2.73	3.21	7.77	4.17
76F-107-01A	1-1/2"	1.50	2.05	4.10	2.92	3.31	7.77	4.69
76F-108-01A	2"	2.00	2.37	4.74	3.75	3.69	7.77	6.90

## Padlocking Ball Valves

### 75-100-41 SERIES



### PADLOCKING BALL VALVE WITH AUTOMATIC DRAIN

Meets OSHA standards and provides for easy, safe maintenance of pneumatic tools. Valve can be padlocked OPEN or CLOSED with same hardware. Built with RPTFE seats and stuffing box ring.

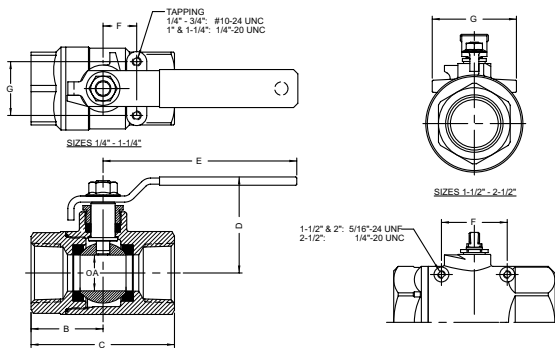
#### FEATURES

- Blowout-proof stem design
- Adjustable packing gland
- ASTM B584 Bronze
- Pad lock lever
- Rated to 125 psig - air or water
- Temperature range: 50°F to 200°F
- Valve without drain option (suffix -01)

Model Number	Size (in.)	Dimensions (in.)				
		A	B	C	D	E
75-101-41	1/4	0.43	1.12	2.25	1.81	3.00
75-102-41	3/8	0.50	1.12	2.25	1.81	3.00
75-103-41	1/2	0.50	1.12	2.25	1.81	3.00
75-104-41	3/4	0.87	1.68	3.37	2.25	3.87
75-105-41	1	0.87	1.68	3.37	2.25	3.87
75-106-41	1-1/4	1.00	2.00	4.00	2.62	5.50
75-107-41	1-1/2	1.25	2.16	4.37	2.87	5.50
75-108-41	2	1.50	2.34	4.68	3.06	5.50

## Ball Valves – Full Port

### 77-100 SERIES



### FULL PORT NPT PANEL MOUNT BALL VALVE

Designed for easy actuator mounting or panel mounting where highest Cv values are desired. RPTFE seats and stuffing box ring. Also available with 250 lb. steam trim option.

#### FEATURES

- Mounting pad
- ASTM B584 Bronze
- Blowout-proof stem design
- Adjustable packing gland
- Full flow, minimum pressure drop
- 600 CWP, non-shock pressure rating
- 150 SWP steam rating
- Chain lever kits available 3/4" - 2-1/2" (-16, -58)

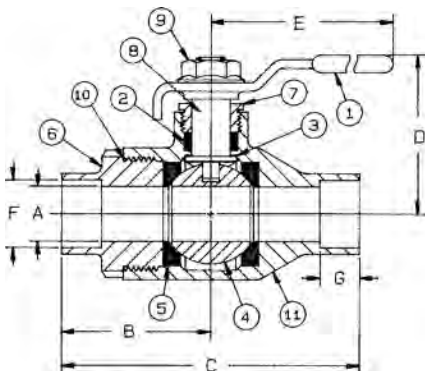
#### 77 OPTIONS INCLUDE:

- Extended stems (-04)
- Balance stop (-92)
- Locked retainer optional

Model Number	Size (in.)	Dimensions (in.)							Cv*
		A	B	C	D	E	F	G	
77-101-01	1/4	0.43	1.12	2.25	1.81	3.87	0.50	1.12	8.1
77-102-01	3/8	0.50	1.12	2.25	1.81	3.87	0.50	1.12	15
77-103-01	1/2	0.50	1.12	2.25	1.81	3.87	0.50	1.12	15
77-104-01	3/4	0.81	1.56	3.12	2.12	4.87	0.87	1.37	51
77-105-01	1	1.00	1.81	3.62	2.62	5.50	0.93	1.50	68
77-106-01	1-1/4	1.25	2.12	4.25	2.87	5.50	0.93	1.50	125
77-107-01	1-1/2	1.50	2.37	4.75	3.34	8.00	2.08	3.06	177
77-108-01	2	2.00	2.65	5.37	3.71	8.00	2.41	3.52	389
77-109-01	2-1/2	2.50	3.25	6.50	4.12	8.00	2.75	3.37	503

\* The Cv factor is the gallons of water per minute that the valve will pass with 1 psig pressure drop.

### 77-200 SERIES



### FULL PORT SOLDER END BALL VALVE

Designed to be soldered into lines without disassembly. This allows a factory tested valve to be installed without disturbing the seats and seals. Designed for soft solder with melt points less than 500°F.

#### FEATURES

- Heavy duty cast bronze body
- Chromium plated ball
- Blowout-proof stem design
- Adjustable packing gland
- Full flow, minimum pressure drop
- 600 CWP, non-shock pressure rating
- 150 SWP

Model Number	Size (in.)	Dimensions (in.)						
		A	B	C	D	E	F	G
77-204-01	3/4	0.81	2.12	4.12	2.12	4.87	0.88	0.75
77-205-01	1	1.00	2.33	4.60	2.62	5.50	1.13	0.90
77-206-01	1-1/4	1.25	2.60	5.15	2.87	5.50	1.38	0.96
77-207-01	1-1/2	1.50	3.00	6.00	3.34	8.00	1.63	1.09
77-208-01	2	2.00	3.62	7.24	3.71	8.00	2.13	1.34
77-209-01	2-1/2	2.50	3.93	7.87	4.12	8.00	2.63	1.48

# COMMERCIAL PRODUCTS CATALOG

## "Safe" Solder Ball Valves (Two-Piece)

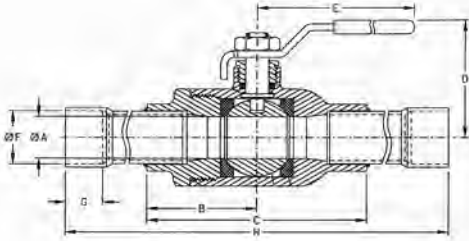
### 77-200 SERIES

#### BRONZE FULL PORT BALL VALVE WITH 6" FEMALE COPPER EXTENSIONS (SOLDER CUP)

Solder end, 600 psig CWP, cold non-shock.

##### FEATURES

- ASTM B584 Bronze
- Adjustable packing gland
- RPTFE seats and stuffing box ring
- Blowout-proof stem design
- Full flow, minimum pressure drop



Model Number	Size (in.)	Dimensions (in.)							
		A	B	C	D	E	F	G	H
77-204-C8	3/4	0.81	2.12	4.12	2.12	4.87	0.88	0.75	16.12
77-205-C8	1	1.00	2.33	4.64	2.62	5.50	1.13	0.90	16.64
77-206-C8	1-1/4	1.25	2.60	5.15	2.87	5.50	1.38	0.96	17.15
77-207-C8	1-1/2	1.50	3.00	6.00	3.34	8.00	1.63	1.09	18.00
77-208-C8	2	2.00	3.62	7.24	3.71	8.00	2.13	1.34	19.24
77-209-C8	2-1/2	2.50	3.93	7.87	4.12	8.00	2.63	1.48	19.87

## Ball Valves – Full Port – SAE Thread

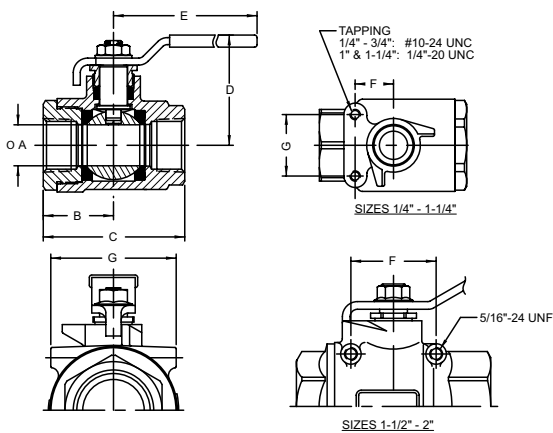
### 77-900 SERIES

#### FULL PORT SAE STRAIGHT-THREAD BALL VALVES

Connections are designed for extended leak-free and energy saving performance in a broad range of applications, especially in manufacturing environments.

##### FEATURES

- 600 CWP non-shock
- ASTM B584 Bronze
- SAE J512/514 connections
- RPTFE seats & packing
- Blowout-proof stem and lever handle standard
- Drilled and tapped actuation pad standard



Model Number	Nom. Tube O.D. (in.)	Size (in.)	Dimensions (in.)						
			A	B	C	D	E	F	G
77-901-01	1/4	7/16-20	0.43	1.12	2.25	1.81	3.87	0.50	1.12
77-902-01	3/8	9/16-18	0.50	1.12	2.25	1.81	3.87	0.50	1.12
77-903-01	1/2	3/4-16	0.50	1.12	2.25	1.81	3.87	0.50	1.12
77-904-01	3/4	11/16-12	0.81	1.56	3.12	2.12	4.87	0.87	1.37
77-905-01	1	15/16-12	1.00	1.81	3.62	2.62	5.50	0.93	1.50
77-906-01	1-1/4	1-5/8-12	1.25	2.12	4.25	2.87	5.50	0.93	1.50
77-907-01	1-1/2	1-7/8-12	1.50	2.37	4.75	3.34	8.00	2.08	3.06
77-908-01	2	2-1/2-12	2.00	2.65	5.37	3.71	8.00	2.41	3.52



## Two-Piece – Full Port Ball Valves

### 77B-100 SERIES

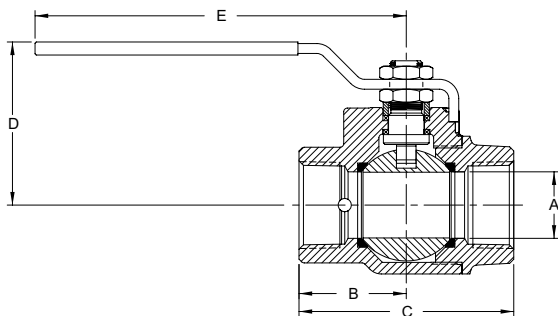
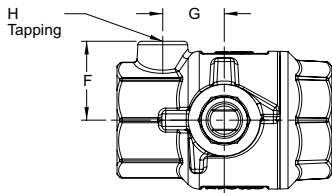


### FULL PORT NPT VALVE WITH SIDE TAP

Design features lever handle and side tapping; can be used as a drain feature or with 1/8" and 1/4" test cocks, sensing lines, or pressure gauges. Offers extended service life with its ASTM B584 Bronze body, RPTFE packing and PTFE seats.

#### FEATURES

- Rated 400 psig CWP, non-shock
- Adjustable packing
- Blowout-proof stem design
- 125 psig SWP steam rating
- **Lead Free** option (77BLF)



Model Number	LF Model Number	Size (in.)	Dimensions (in.)							
			A	B	C	D	E	F	G	H
77B-103-01	77BLF-103-01	1/2"	0.50	1.29	2.44	1.79	3.74	0.85	0.70	1/8 NPT
77B-104-01	77BLF-104-01	3/4"	0.75	1.48	2.81	2.00	4.75	1.00	0.80	1/8 NPT
77B-105-01	77BLF-105-01	1"	1.00	1.66	3.20	2.19	4.78	1.15	0.88	1/8 NPT
77B-106-01	77BLF-106-01	1-1/4"	1.25	2.04	4.08	3.10	7.06	1.50	1.17	1/4 NPT
77B-107-01	77BLF-107-01	1-1/2"	1.50	2.12	4.23	3.09	7.06	1.60	1.38	1/4 NPT
77B-108-01	77BLF-108-01	2"	2.00	2.42	4.85	3.45	7.08	2.00	1.56	1/4 NPT

### 77B-300 SERIES

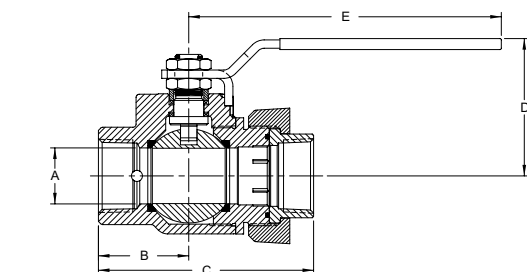
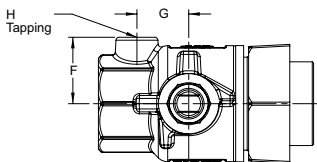


### FULL PORT SINGLE UNION END VALVE WITH SIDE TAP

Valves offer union ends to make pipeline disassembly easier. Design features lever handle and side tapping; can be used as a drain feature or with 1/8" and 1/4" test cocks, sensing lines, or pressure gauges. Rated 400 psig CWP, non-shock, and is equipped with a rugged chromium-plated ball.

#### FEATURES

- Blowout-proof stem design
- PTFE seats
- Full flow, minimum pressure drop
- Boss not drilled and tapped option (-31)
- **Lead Free** option (77BLF)



Model Number	LF Model Number	Size (in.)	Dimensions (in.)							
			A	B	C	D	E	F	G	H
77B-303-01	77BLF-303-01	1/2"	0.50	1.29	3.05	1.44	2.50*	0.85	0.70	1/8 NPT
77B-304-01	77BLF-304-01	3/4"	0.75	1.48	3.58	1.77	4.00*	1.00	0.80	1/8 NPT
77B-305-01	77BLF-305-01	1"	1.00	1.66	3.94	1.96	4.00*	1.15	0.88	1/8 NPT
77B-306-01	77BLF-306-01	1-1/4"	1.25	2.04	4.86	3.10	7.03	1.50	1.17	1/4 NPT
77B-307-01	77BLF-307-01	1-1/2"	1.50	2.12	5.35	3.09	7.09	1.60	1.38	1/4 NPT
77B-308-01	77BLF-308-01	2"	2.00	2.42	5.91	3.45	7.08	2.00	1.56	1/4 NPT

\* Tee Handles

# COMMERCIAL PRODUCTS CATALOG

## Two-Piece – Full Port Ball Valves

### 77B-800 SERIES

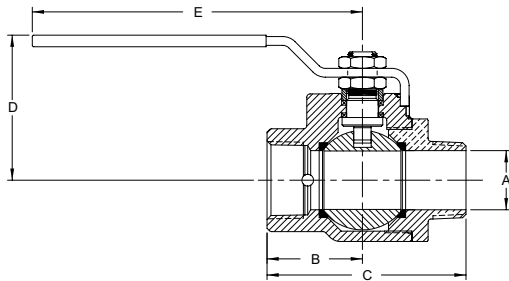
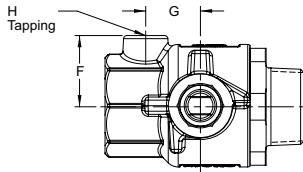


### MALE X FEMALE NPT FULL PORT BALL VALVE WITH SIDE TAP

Eliminates leak path and need for extra nipples. Full port design with adjustable packing gland and PTFE seats.

#### FEATURES

- 400 psig CWP, non-shock
- 125 SWP saturated steam rating
- Boss not drilled and tapped option (-31)
- **Lead Free** option (77BLF)



Model Number	LF Model Number	Size (in.)	Dimensions (in.)							
			A	B	C	D	E	F	G	H
77B-803-01	77BLF-803-01	1/2"	0.50	1.29	2.64	1.79	3.74	0.85	0.70	1/8 NPT
77B-804-01	77BLF-804-01	3/4"	0.75	1.48	2.96	2.00	4.75	1.00	0.80	1/8 NPT
77B-805-01	77BLF-805-01	1"	1.00	1.66	3.40	2.19	4.78	1.15	0.88	1/8 NPT
77B-806-01	77BLF-806-01	1-1/4"	1.25	2.04	4.26	3.10	7.06	1.50	1.17	1/4 NPT
77B-807-01	77BLF-807-01	1-1/2"	1.50	2.12	4.47	3.09	7.06	1.60	1.38	1/4 NPT
77B-808-01	77BLF-808-01	2"	2.00	2.42	5.06	3.45	7.08	2.00	1.56	1/4 NPT

## Ball Valve with Direct ISO Mounting

### 77D SERIES

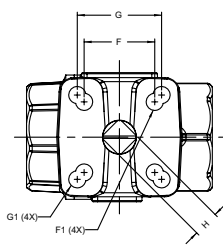
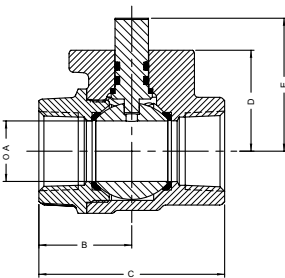


### FULL PORT BRONZE BALL VALVE WITH DIRECT ISO MOUNTING PAD

Apollo's solid stainless steel ball design in a bronze valve with an integral ISO 5211 mounting pad with 100% American construction

#### FEATURES

- 600 CWP pressure rating
- Multi-fill seats and stem bearing
- Blowout-proof stem design
- Vacuum service to 29 in. Hg
- High cycle dual o-ring stem seal design (EPDM is standard)
- Ball is slot vented to equalize cavity and line pressure
- MSS SP-110 compliant
- Actuator ready

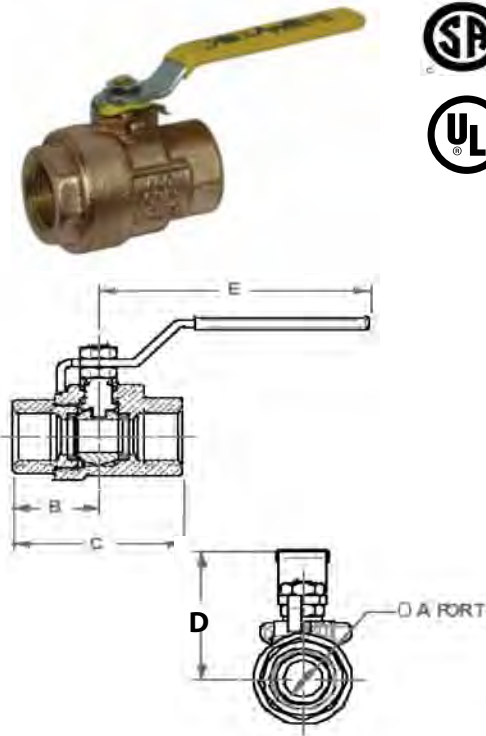


Suffix	Material	Temp Range	Steam (max)
-01E (std)	EPDM	-20 to 400°F	150 SWP @ 366°F
-01N	Nitrile	-20 to 250°F	15 SWP @ 250°F
-01V	Viton	-20 to 400°F	50 SWP @ 297°F

Model Number	Size (in.)	Dimensions (in.)									
		A	B	C	D	E	F	ØF1	G	ØG1	H
77D-143-01E	1/2	0.50	1.15	2.25	1.00	1.37	0.997	0.224	1.167	0.281	0.275
77D-144-01E	3/4	0.75	1.33	2.65	1.38	1.79	1.167	0.281	1.392	0.281	0.275
77D-145-01E	1	1.00	1.54	3.07	1.67	2.20	1.167	0.281	1.392	0.281	0.430
77D-147-01E	1-1/2	1.50	2.12	4.23	2.31	3.05	N/A	N/A	1.949	0.344	0.551
77D-148-01E	2	2.00	2.43	4.85	2.68	3.43	N/A	N/A	1.949	0.344	0.551

## Gas/Fuel Shut-Off Valves

### 77G-UL SERIES



### FULL PORT CSA & UL GAS SHUT-OFF VALVES

UL and CSA listed fuel shut off valve that features a durable bronze body, premium "multi-fill" MPTFE seats and stem packing, and a "Solid Ball" design that delivers true full port flow performance.

#### FEATURES

- Blowout-proof stem design
- ASTM B584 Bronze
- Maximum body pressure: 600 psig CWP
- CSA Rating: 125 psig
- CSA Rating: -20°F to 150°F
- UL Rating: 250 psig max @ 125°F
- MSS SP-110 ball valves
- CSA to ASME B16.33, 125
- CGA 3.16-M88, 125

#### UL LISTED

MHKZ  
YSDT  
YQNZ  
YRBX  
YRPV

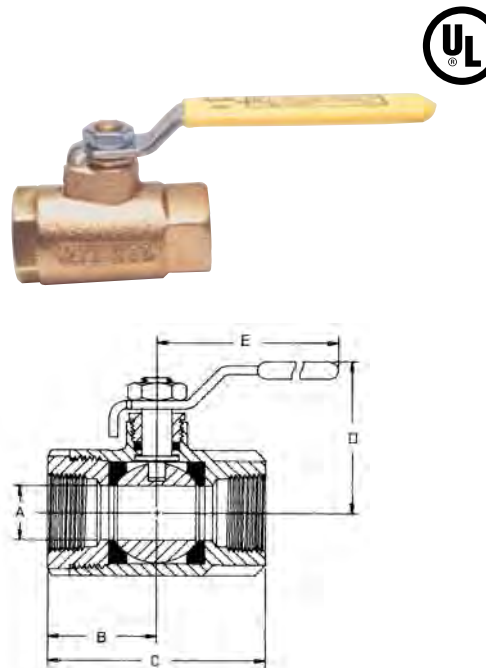
#### UL LISTED

YRPV7  
YRBX7  
MHKZ7  
YSDT7

Model Number	Size (in.)	Dimensions (in.)					Wt.
		A	B	C	D	E	
77G103UL	1/2	0.50	1.19	2.35	1.80	3.74	0.68
77G104UL	3/4	0.75	1.42	2.74	1.98	4.78	1.26
77G105UL	1	1.00	1.64	3.18	2.18	4.78	2.08

## Gas/Fuel Shut-Off Valves

### 80-100 SERIES



### UL LISTED GAS SHUT-OFF VALVES

UL listed and designed as safe shut-off valve for LP gas, natural gas, flammable liquids and heated oil. Features easy quarter-turn ON/OFF, a large port to reduce pressure drop and NPT connections.

#### FEATURES

- RPTFE seats and seals
- Rated 600 psig CWP, non-shock
- 250 psig LP Gas
- Tee handle (-07)
- Latch lock handle (-27)
- Oxygen cleaned (-57)

#### UL LISTED

YQNZ  
YRBX  
YRPV  
YSDT  
MHKZ

Model Number	Size (in.)	Dimensions (in.)				
		A	B	C	D	E
80-101-01	1/4	0.37	1.03	2.06	1.75	3.87
80-102-01	3/8	0.37	1.03	2.06	1.75	3.87
80-103-01	1/2	0.50	1.12	2.25	1.81	3.87
80-104-01	3/4	0.68	1.50	3.00	2.12	4.87
80-105-01	1	0.87	1.68	3.37	2.25	4.87
80-106-01	1-1/4	1.00	2.00	4.00	2.62	5.50
80-107-01	1-1/2	1.25	2.18	4.37	2.87	5.50
80-108-01	2	1.50	2.34	4.68	3.06	5.50
80-109-01	2-1/2	2.50	3.25	6.50	4.12	8.00
80-100-01	3	2.50	3.37	6.75	4.12	8.00

# COMMERCIAL PRODUCTS CATALOG

## Gas/Fuel Shut-Off Valves

### 90-100 SERIES



### UL LISTED UNI-BODY THREADED BALL VALVE

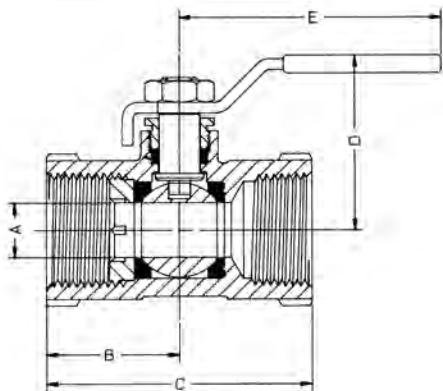
A compact valve that's UL listed at 400 psig CWP, non-shock for fuel, inert gases and flammable liquids. Features ASTM Grade Bronze body, RPTFE seats and seals.

#### FEATURES

- Blowout-proof stem design
- One piece bronze body
- Optional tee handle (-07)
- Reduced port

#### UL LISTED

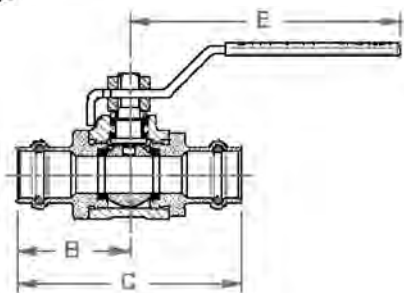
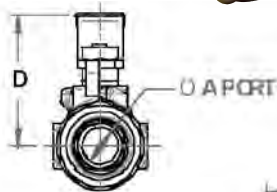
YQNZ  
YRBX  
YRPV



Model Number	Size (in.)	Dimensions (in.)				
		A	B	C	D	E
90-103-01A	1/2	0.37	1.14	2.15	1.68	3.87
90-104-01A	3/4	0.50	1.36	2.61	1.75	3.87
90-105-01A	1	0.62	1.50	2.90	2.00	4.87
90-106-01A	1-1/4	0.81	1.81	3.50	2.18	4.87
90-107-01A	1-1/2	1.00	2.06	3.79	2.62	5.50
90-108-01A	2	1.25	2.43	4.42	2.81	5.50

## APOLLOXPRESS™ Ball Valves

### 77W SERIES



### APOLLOXPRESS™ BRONZE FULL PORT BALL VALVES

Apollo 77W Series APOLLOXPRESS™ ball valves install in seconds, but the valve and the connection are made to last. Ideal for most plumbing and heating systems including potable water. Not for use with natural gas.

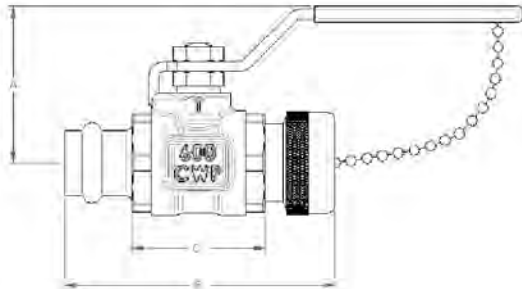
#### FEATURES

- Full port
- Ridgid® "XL" Press Tool compatible
- Leak Before Press® technology
- MSS SP-110 ball valves
- NSF 61-8 (2010) compliant
- Adjustable stem packing
- 250 CWP, non-shock to 250°F max.
- Excellent for hydronic heating (90% glycol max)
- Compatible with most 77C Series options
- Made in the USA
- **Lead Free** option (77WLF)

Model Number	LF Model Number	Size (in.)	Dimensions (in.)					Wt.
			A	B	C	D	E	
77W-103-01	77WLF-103-01	1/2	0.50	1.54	3.08	1.50	3.74	0.6
77W-104-01	77WLF-104-01	3/4	0.75	1.78	3.55	2.01	4.78	1.1
77W-105-01	77WLF-105-01	1	1.00	1.93	3.86	2.20	4.78	1.8
77W-106-01	77WLF-106-01	1-1/4	1.25	2.44	4.87	3.13	7.04	4.3
77W-107-01	77WLF-107-01	1-1/2	1.50	2.91	5.81	3.10	7.04	4.6
77W-108-01	77WLF-108-01	2	2.00	3.74	7.47	3.48	7.04	8.2

## APOLLOXPRESS™ Ball Valves

### 77W-HC SERIES



### APOLLOXPRESS™ x HOSE CAP & CHAIN BALL VALVE

Designed for direct mechanical connection to ASTM B88-Type K,L, and M copper tubing in the hard drawn condition for sizes 1/2"-3/4". Valves feature a 3/4" hose thread connection with heavy brass cap to protect the threads and is full pressure rated. Not for use with natural gas.

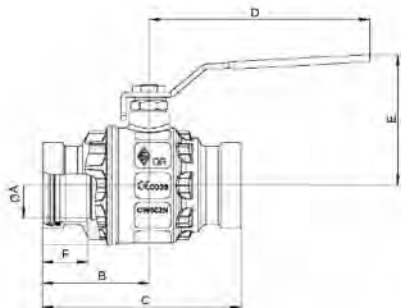
#### FEATURES

- Full port
- Ridgid® "XL" Press Tool compatible
- Leak Before Press® technology
- MSS SP-110 ball valves
- NSF 61-8 (2010) compliant
- Adjustable stem packing
- 250 CWP, non-shock to 250°F max.
- Excellent for hydronic heating (90% glycol max)
- Compatible with most 77C Series options
- Made in the USA
- Heavy brass dust cover is full pressure rated

Model Number	LF Model Number	Size (in.)	Dimensions (in.)			Wt. (lbs.)
			A	B	C	
77W-103-HC	77WLF-103-HC	1/2	1.80	3.12	1.54	0.61
77W-104-HC	77WLF-104-HC	3/4	2.01	3.45	1.72	1.09

## Large Diameter APOLLO-PRESS® Ball Valves

### 64WC SERIES



### APOLLO INTERNATIONAL™ APOLLO-PRESS® BRASS BALL VALVES

The Apollo International™ 64WC APOLLO-PRESS® ball valve is designed for direct mechanical connection to ASTM B88- Type K, L, and M copper tubing in the hard drawn condition for sizes 2-1/2", 3", and 4". The valve is ideal for general plumbing and heating applications.

#### FEATURES

- Full-port
- Adjustable stem packing
- 200 CWP and 250°F max.
- Blow-out proof stem
- Dezincification resistant brass body
- 100% factory tested
- Ridgid® XL-C press tool compatible

Model Number	Size (in.)	Dimensions (in.)						Wt.
		A	B	C	D	E	F	
64WC0901	2-1/2	2.40	3.94	7.30	8.07	5.08	1.65	9.0
64WC0001	3	2.87	4.63	8.60	8.07	5.51	1.97	14.6
64WC0A01	4	3.82	5.30	10.26	10.24	6.30	3.42	22.5

# COMMERCIAL PRODUCTS CATALOG

## Apollo Pex Ball Valves

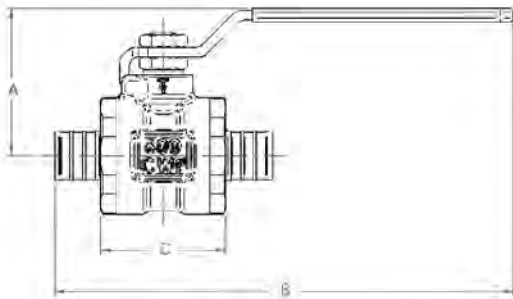
### 77X SERIES

#### APOLLO SERIES 77X PEX BALL VALVE

Full port body, bronze ball valve with integral crimp-ready PEX pipe end connections. Rated 32°F to 210°F, 200 psig. ASTM F1807 standard specification for metal insert fittings utilizing a copper crimp ring for SDR9 cross linked PEX tubing.

#### FEATURES

- Adjustable stem packing
- Blowout-proof stem design
- Silicone free
- MSS SP-110 compliant
- Directive 2002/95/CE (RoHS) compliant



Model Number	Size (in.)	Dimensions (in.)			Wt. (lbs.)
		A	B	C	
77X-103-01	1/2	1.78	5.13	1.54	0.58
77X-104-01	3/4	1.98	6.26	1.72	1.03
77X-105-01	1	2.17	6.57	1.99	1.79

## Surface Mount Shut-Off Valves

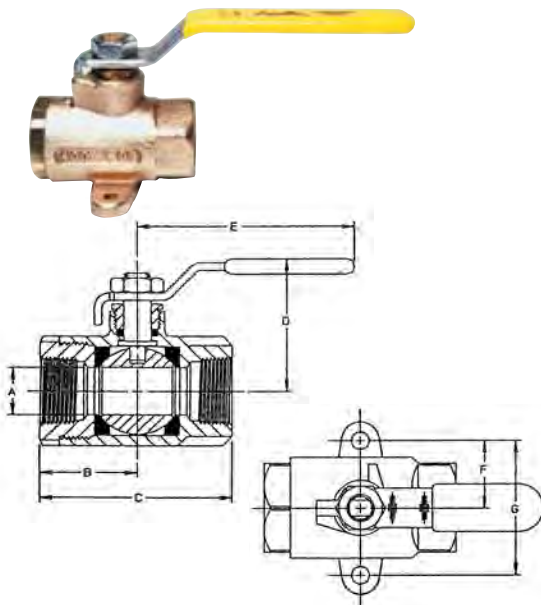
### 78-256 SERIES

#### MULTI PURPOSE SHUT-OFF VALVE WITH MOUNTING EARS

Excellent for use with liquid fuels and often specified as a fuel tank shut-off valve in marine applications. All wetted parts are brass or cast bronze. Mounting ears for easy, positive installation.

#### FEATURES

- 400 psig CWP, non-shock
- Tested to 100 psig air under water
- Optional tee handle
- NPT threaded, both ends
- RPTFE seats and seals



Model Number	Size (in.)	Dimensions (in.)						
		A	B	C	D	E	F	G
78-248-01	1/4	0.43	1.12	2.25	1.78	3.87	0.93	1.87
78-250-01	3/8	0.43	1.12	2.25	1.78	3.87	0.93	1.87
78-256-01	1/2	0.50	1.12	2.25	1.78	3.87	0.93	1.87
78-438-01	3/4	0.68	1.50	3.00	2.12	4.87	1.06	2.12

## Instrumentation Valves

### 78-260/290 SERIES

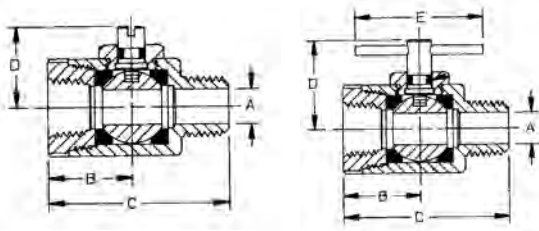


78-290: Bronze

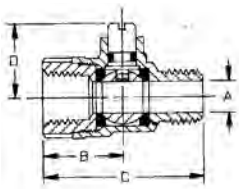


78-260: Bronze

#### Brass Valves



#### Bronze Valves



### BRASS AND BRONZE INSTRUMENTATION BALL VALVES

Male x Female threaded. 400 psig CWP, non-shock. Air and liquid service.

#### FEATURES

- Micro-finish ball
- Blowout-proof stem design
- PTFE seats
- Nitrile stem seal
- Plated steel tee handle
- Compact design
- Optional mixed end fittings available

### BRASS INSTRUMENTATION BALL VALVE - TEE HANDLE

Model Number	Size (in.)	Dimensions (in.)					Cv*	Wt.
		A	B	C	D	E		
78-260-05	1/8M x 1/8F	0.21	0.37	1.43	0.87	1.25	4.00	0.20
78-261-05	1/4M x 1/4F	0.31	0.43	1.43	0.87	1.25	5.50	0.19

### BRASS INSTRUMENTATION BALL VALVE - SCREW SLOT

Model Number	Size (in.)	Dimensions (in.)					Cv*	Wt.
		A	B	C	D	E		
78-262-05	1/8M X 1/8F	0.21	0.37	1.43	0.75	N/A	4.00	0.20
78-263-05	1/4M X 1/4F	0.31	0.43	1.43	0.75	N/A	5.50	0.19

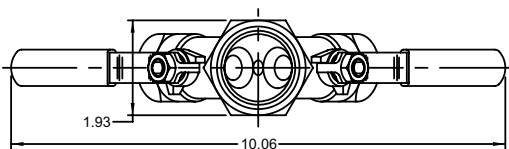
### BRONZE INSTRUMENTATION BALL VALVE (INTERNATIONAL) - SCREW SLOT

Model Number	Size (in.)	Dimensions (in.)					Cv*	Wt.
		A	B	C	D	E		
78-290-01	1/8M x 1/4F	0.21	0.80	1.60	0.72	N/A	4.00	0.19
78-291-01	1/4M x 1/4F	0.31	0.80	1.60	0.72	N/A	5.50	0.19
78-292-01	1/8 x 1/4 SAE	0.21	0.80	1.60	0.72	N/A	4.00	0.19
78-293-01	1/4 x 1/4 SAE	0.31	0.80	1.60	0.72	N/A	5.50	0.19

\* The Cv factor is the gallons of water per minute that the valve will pass with a 1 psig pressure drop.

## Specialty Valves

### 78-274-01 SERIES

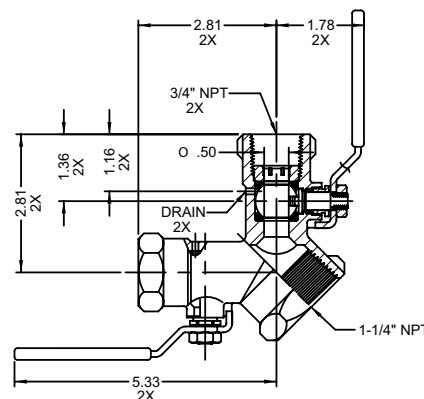


### DUAL WYE AUTO DRAIN BALL VALVE

Dual action modular valve, ideal for compressor applications where safety exhaust may be needed for two air lines at once.

#### FEATURES

- 1-1/4" FNPT Inlet x (2) 3/4" FNPT outlets
- 600 CWP
- ASTM B584 Bronze



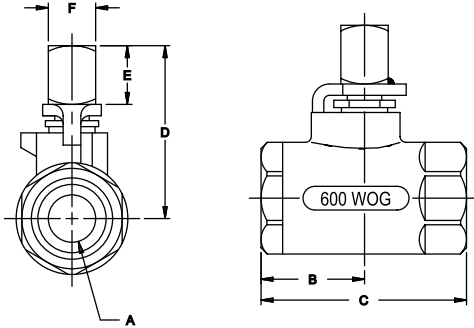
# COMMERCIAL PRODUCTS CATALOG

## Irrigation Valves

### 78-130 SERIES

#### FEMALE END VALVE FOR UNDERGROUND SERVICE

Ideal for underground or below grade applications. This series (3/8"-2" FNPT) features a square head nut welded to the stem to allow operations with a ground key from standard grade.



Model Number	Size (in.)	Dimensions (in.)					
		A	B	C	D	E	F
78-132-01	3/8	0.37	1.03	2.06	1.75	0.62	0.50
78-133-01	1/2	0.50	1.09	2.18	1.83	0.62	0.50
78-134-01	3/4	0.68	1.50	3.00	2.12	0.62	0.62
78-135-01	1	0.87	1.68	3.37	2.25	0.62	0.62
78-136-01	1 1/4	1.00	2.00	4.00	2.88	0.75	0.75
78-137-01	1 1/2	1.25	2.18	4.38	3.06	0.75	0.75
78-138-01	2	1.50	2.34	4.68	3.25	0.75	0.75

### 78-114-01 SERIES

#### SAE MALE THREAD VALVE FOR UNDERGROUND SERVICE

Features the same square head nut as the 78-130 Series but with an optional SAE male thread on one end. Apollo valves can be manufactured with a variety of end connections.

#### FEATURES

- 1-1/16 SAE male o-ring x 3/4 FNPT



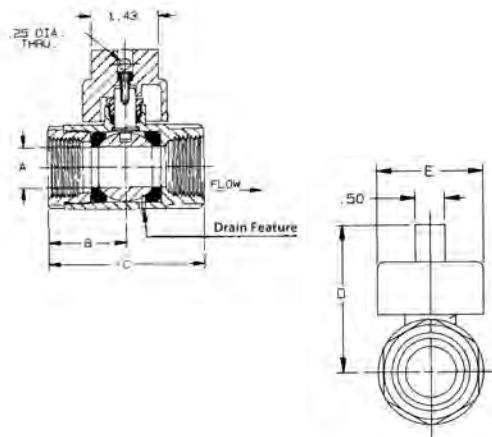
### 78-620 SERIES

#### BRONZE NPT IRRIGATION VALVE WITH AUTO-DRAIN

Ideal for underground use or where drained media will not cause damage. Heavy pattern design features ASTM B584 Bronze body.

#### FEATURES

- Auto-drain feature (when valve is in closed position) is standard
- Adjustable packing gland
- RPTFE seats and seals
- Stainless steel cover
- 200 psig water, CWP, non-shock
- Temperature range +50°F to 200°F



Model Number	Size (in.)	Dimensions (in.)				
		A	B	C	D	E
78-621-01	3/4	0.68	1.47	2.96	2.40	1.81
78-622-01	1	0.87	1.66	3.34	2.53	1.81
78-623-01	1-1/4	1.00	1.98	3.97	3.00	2.50
78-624-01	1-1/2	1.25	2.12	4.28	3.18	2.50
78-625-01	2	1.50	2.35	4.67	3.37	2.50



## Purge & Drain Valves

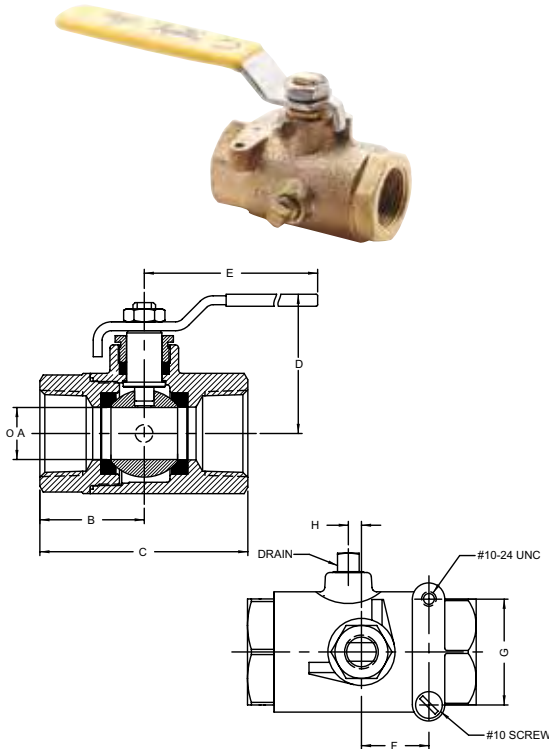
### 78-660 & 962 SERIES

#### BRONZE BALL VALVE WITH CENTER DRAIN

Center tap drain allows for winterization or purge and drain function. Features bronze body with built-in mounting pad for panel mounting or actuation. Ideal for hydronic heating and marine applications.

#### FEATURES

- 1/8" NPT side tap and plug
- RPTFE seats and stuffing box ring
- Stainless steel lever and nut
- Blowout-proof stem
- 600 psig CWP, non-shock
- Adjustable packing
- Drainable ball cavity to prevent freezing



Model Number	Size (in.)	Dimensions (in.)							
		A	B	C	D	E	F	G	H
78-664-01	3/4	0.68	1.50	3.00	2.12	4.87	0.87	1.37	0.17
78-665-01	1	0.87	1.68	3.37	2.25	4.87	0.87	1.37	0.21
78-666-01	1-1/4	1.00	2.00	4.00	2.62	5.50	0.93	1.50	0.28
78-667-01	1-1/2	1.25	2.18	4.37	3.05	8.00	0.93	1.50	0.40
78-962-01	2	1.50	2.34	4.68	3.24	8.00	0.93	1.50	0.45

## "Safe" Solder Valves (Two-Piece)

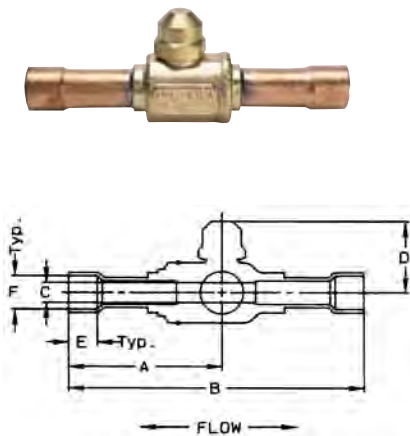
### 79-700 SERIES

#### UL-LISTED REFRIGERANT BALL VALVE ASSEMBLY

Complete hermetically welded assembly includes copper extensions and forged brass refrigerant ball valve with capped, triple-sealed stem to minimize leaks.

#### FEATURES

- Chrome plated ball
- RPTFE seats and seals
- Full port through 2-5/8"
- Bi-directional flow design
- Sizes from 3/8" to 3-1/8" O.D. tube
- All sizes UL listed
- Rated 500 psig CWP, non-shock
- For use with refrigerant Group 2 fluids



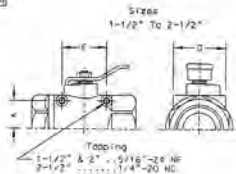
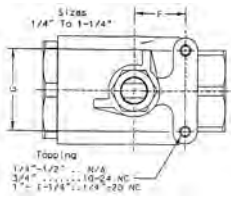
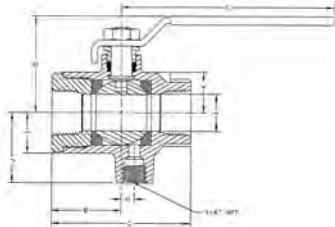
Model Number	Size (in.)	Dimensions (in.)						Cv*
		A	B	C	D	E	F	
79-701-01	3/8	3.38	6.45	0.45	1.56	0.38	0.38	8.5
79-702-01	1/2	3.38	6.45	0.45	1.56	0.38	0.50	8.5
79-703-01	5/8	3.56	6.82	0.50	1.56	0.50	0.62	9.8
79-704-01	7/8	3.91	7.53	0.68	1.79	0.75	0.87	32.0
79-705-01	1-1/8	4.39	8.51	0.87	1.98	0.90	1.12	44.0
79-706-01	1-3/8	4.42	8.94	1.25	2.62	0.96	1.38	66.0
79-707-01	1-5/8	4.55	9.19	1.25	2.62	1.09	1.62	148.0
79-708-01	2-1/8	5.16	10.31	1.50	2.93	1.34	2.12	218.0
79-709-01	2-5/8	6.50	13.00	2.50	3.90	1.48	2.62	440.0
79-600-01	3-1/8	7.00	14.00	2.50	3.90	1.67	3.12	390.0

\* The Cv factor is the gallons of water per minute that the valve will pass with 1 psig pressure drop.

# COMMERCIAL PRODUCTS CATALOG

## Air Exhaust Valves

### 7K-100 SERIES



Material: 304 & 316  
NPT TO SCALE

### FULL PORT SAFETY EXHAUST VALVE WITH 1/4" NPT TAP FOR DRAIN

For use on pneumatic equipment. Furnished with a 1/4" NPT tapped drain to accommodate a muffler or to pipe the exhausted air to a safe location.

#### FEATURES

- Safely vents compressed air (or other non-hazardous gases) from piping downstream of the closed valve
- Sizes 1/4" - 2-1/2"
- FNPT threads
- Rated 125 psig-air or water, CWP, non-shock
- Temperature range: +50°F - +200°F
- Optional stainless steel latch lock handle that locks in closed position only, specify suffix (-46)

Model Number	Size (in.)	Dimensions (in.)										
		A	B	C	D	E	F	G	H	I	J	K
7K-101-01	1/4	0.37	1.03	2.06	1.75	3.87	N/A	N/A	0.09	0.53	1.18	N/A
7K-102-01	3/8	0.37	1.03	2.06	1.75	3.87	N/A	N/A	0.09	0.53	1.18	N/A
7K-103-01	1/2	0.50	1.10	2.19	1.75	3.87	N/A	N/A	0.12	0.59	1.25	N/A
7K-104-01	3/4	0.81	1.56	3.12	2.12	4.78	0.87	1.37	0.29	0.90	1.56	0.90
7K-105-01	1	1.00	1.80	3.61	2.62	5.50	0.93	1.50	0.31	1.12	1.78	1.12
7K-106-01	1-1/4	1.25	2.12	4.25	2.87	5.50	0.93	1.50	0.37	1.37	2.03	1.37
7K-107-01	1-1/2	1.50	2.37	4.74	3.30	7.78	2.08	3.06	0.50	1.56	2.21	1.28
7K-108-01	2	2.00	2.70	5.38	3.71	7.78	2.41	3.52	0.62	2.03	2.68	1.56
7K-109-01	2-1/2	2.50	3.25	6.50	4.05	7.78	2.75	3.37	1.09	2.34	3.00	2.00

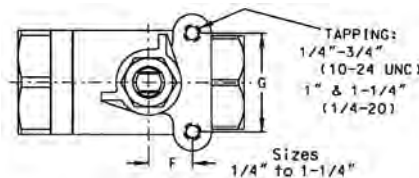
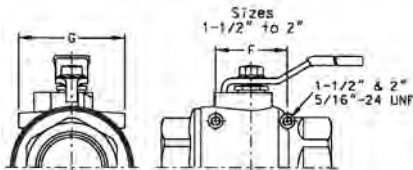
Also available in 70 & 77 Series as -41 option (without tapped drain)

## Air Exhaust Valves

### 7K-SV SERIES



(7K-SV Series Shown)



### SECURE-VENT FEATURE (-SV)

Available on the Apollo 77 and 7K full port bronze ball valves. Safely vents compressed air (or other non-hazardous gases) from piping downstream of the closed valve.

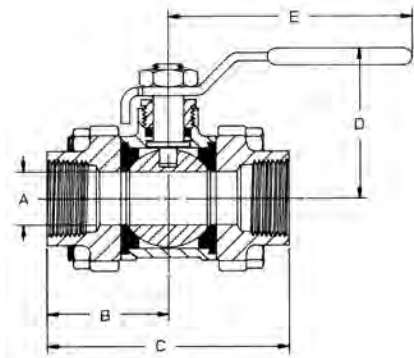
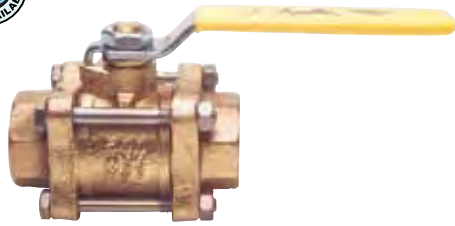
#### FEATURES

- Reliable shut-off and venting
- Pressure rating: 200 psig CWP, non-shock
- Temp. range: -20°F to 200°F
- Economical "no leakage" operation
- Belleville spring live-loaded active upstream seating
- Available with a full complement of handles

Model Number	Size (in.)	Dimensions (in.)						
		A	B	C	D	E	F	G
7K-101-SV	1/4	0.43	1.43	2.52	1.76	3.88	0.50	1.12
7K-102-SV	3/8	0.50	1.60	2.69	1.76	3.88	0.50	1.12
7K-103-SV	1/2	0.50	1.50	2.59	1.76	3.88	0.50	1.12
7K-104-SV	3/4	0.81	1.82	3.37	2.16	5.43	0.87	1.37
7K-105-SV	1	1.00	2.05	3.86	2.69	5.43	0.93	1.50
7K-106-SV	1-1/4	1.25	2.37	4.50	2.91	5.43	0.93	1.50
7K-107-SV	1-1/2	1.50	2.37	7.78	3.31	7.78	2.08	3.06
7K-108-SV	2	2.00	3.00	5.69	3.73	7.78	2.40	3.52

## Three-Piece Full Port Valves

### 82-100 SERIES



### FULL PORT BRONZE NPT THREE-PIECE VALVE

This inline-repairable threaded ball valve offers RPTFE seats and seals and a 600 CWP, non-shock rating.

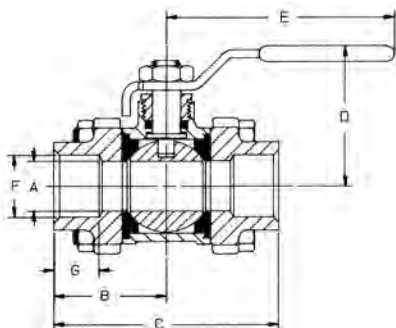
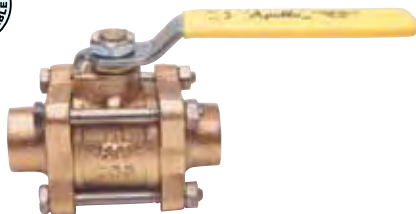
#### FEATURES

- ASTM B584 Bronze body and ends
- SAE Grade 8 body bolts
- Adjustable packing nut
- Full port flow
- 600 CWP, 150 SWP
- Numerous options available
- 82-14X with SS ball and stem option
- **Lead Free** option (82LF)



Model Number	LF Model Number	Size (in.)	Dimensions (in.)				
			A	B	C	D	E
82-101-01	82LF-101-01	1/4	0.43	1.28	2.56	1.81	3.87
82-102-01	82LF-102-01	3/8	0.50	1.28	2.56	1.81	3.87
82-103-01	82LF-103-01	1/2	0.62	1.40	2.81	1.93	4.87
82-104-01	82LF-104-01	3/4	0.81	1.71	3.43	2.18	4.87
82-105-01	82LF-105-01	1	1.00	1.93	3.87	2.62	5.50
82-106-01	82LF-106-01	1-1/4	1.25	2.37	4.75	2.87	5.50
82-107-01	82LF-107-01	1-1/2	1.50	2.62	5.25	3.37	8.00
82-108-01	82LF-108-01	2	2.00	3.01	6.03	3.68	8.00
82-109-01	82LF-109-01	2-1/2	2.50	3.62	7.25	5.14	9.75
82A-140-01	-	3	3.00	4.18	8.37	8.10	19.13
82A-14A-01	-	4	4.00	5.43	10.86	8.88	19.13

### 82-200 SERIES



### FULL PORT BRONZE THREE-PIECE SOLDER/BRAZED END VALVE

Valve features full port and is easily repaired inline. Designed for soft soldering or brazed\* installation. Includes RPTFE seats and seals.

#### FEATURES

- ASTM B584 Bronze
- SAE Grade 8 body bolts
- 600 CWP, non-shock
- 150 SWP steam rating
- 82-24X with SS ball and stem option
- **Lead Free** option (82LF)



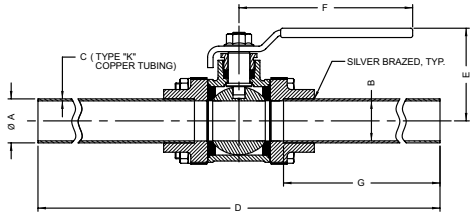
Model Number	LF Model Number	Size (in.)	Dimensions (in.)						
			A	B	C	D	E	F	G
82-202-01	82LF-202-01	3/8	0.50	1.28	2.56	1.81	3.87	0.50	0.37
82-203-01	82LF-203-01	1/2	0.62	1.40	2.81	1.93	4.87	0.63	0.50
82-204-01	82LF-204-01	3/4	0.81	1.71	3.43	2.18	4.87	0.88	0.75
82-205-01	82LF-205-01	1	1.00	1.93	3.87	2.62	5.50	1.13	0.90
82-206-01	82LF-206-01	1-1/4	1.25	2.37	4.75	2.87	5.50	1.38	0.96
82-207-01	82LF-207-01	1-1/2	1.50	2.60	5.25	3.37	8.00	1.63	1.09
82-208-01	82LF-208-01	2	2.00	3.01	6.03	3.68	8.00	2.13	1.34
82-209-01	82LF-209-01	2-1/2	2.50	3.62	7.25	5.14	9.38	2.63	1.47
82A-240-01	-	3	3.00	4.18	8.37	8.10	19.13	3.13	1.66
82A-24A-01	-	4	4.00	5.43	10.86	8.88	19.13	4.13	2.16

\* Model 82LF suitable for soft soldering only.

# COMMERCIAL PRODUCTS CATALOG

## Three-Piece Brazed Tube-End Valves

### 82-200/82-240 SERIES



### THREE-PIECE FULL PORT VALVE WITH BRAZED TUBE EXTENSIONS

This valve is useful in pharmaceutical, medical gas, pneumatic, and liquid applications where valves should not be disassembled prior to soldering or brazing.

#### FEATURES

- 6" type K copper tubing brazed into both end cup
- Rated 600 psig CWP, non-shock
- Optional gage port tapping
- Complies with NFPA99 and CGA G4.1
- Oxygen service option
- ASTM B584 Bronze
- SS ball and stem option

#### Nominal Tubing O.D.

Designate Lead Free by adding LF to Model No. (ex. 82LF-203-B8)  
Non-Oxygen Cleaned models only

Size (in.)	Standard Model No.	Standard Model No. 316 Ball & Stem	Oxygen Cleaned Model No.	Oxygen Cleaned Model No. 316 Ball & Stem	Dimensions (in.)						
					A	B	C	D	E	F	G
1/2	82-203-B8	82-243-A8	82-203-K1	82-243-K1	5/8	0.62	0.05	13.81	2.00	4.87	6.00
3/4	82-204-A8	82-244-B3	82-204-K1	82-244-K1	0.87	0.81	0.07	13.93	2.18	4.87	6.00
1	82-205-B7	82-245-B1	82-205-K1	82-245-K1	1.12	1.00	0.07	14.04	2.62	5.50	6.00
1-1/4	82-206-B7	82-246-B0	82-206-K1	82-246-K1	1.37	1.25	0.07	14.81	2.87	5.50	6.00
1-1/2	82-207-B2	82-247-B2	82-207-K1	82-247-K1	1.62	1.50	0.07	15.07	3.37	8.00	6.00
2	82-208-B7	82-248-B2	82-208-K1	82-248-K1	2.12	2.00	0.08	15.23	3.70	8.00	6.00
2-1/2	82-209-A2	82-249-A2	82-209-K1	82-249-K1	2.63	2.44	0.10	23.45	5.13	9.94	9.60
3	-	82A-240-A2	-	82A-240-K1	3.13	3.00	0.11	23.87	6.67	18.00	9.42
4	-	82A-24A-A0	-	82A-24A-K1	3.13	3.00	0.11	23.87	6.67	18.00	9.42

## Medical Gas Ball Valves - Outside the Zone Box

### DESIGN: "F1", "F3", & "G3" CONFIGURATIONS

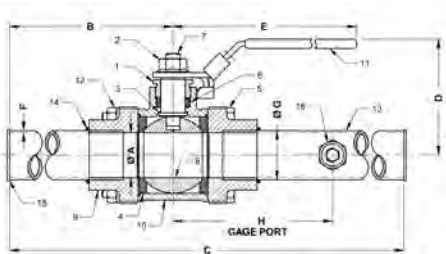
- Cast Bronze Valve Body & Valve End Caps
- RPTFE Seats and Stuffing Box Ring
- 600 psig CWP Non-Shock (3" & 4" 400 CWP)
- Vacuum Service to 29 inches Hg
- Full Port in All Sizes
- Blow-Out-Proof Stem Design
- Adjustable Packing Nut
- In-Line Repairable
- Locking Handle
- Cleaned for Oxygen Service per CGA G4.1 & NFPA 99
- Factory Brazed, Male Extensions for Solder or Brazed Installation without Disassembly (Type K copper tubing brazed into both end caps)

### OUTSIDE THE ZONE BOX

NFPA 99 requires the valves to be secured in the open position. For medical gas applications that are Outside-the-Zone-Box, Apollo offers three standard configurations: "F1" (1 gage port), "F3" (2 gage ports), and "G3" (no gage ports).

### 82-200F1 AND 82-240F1 SERIES

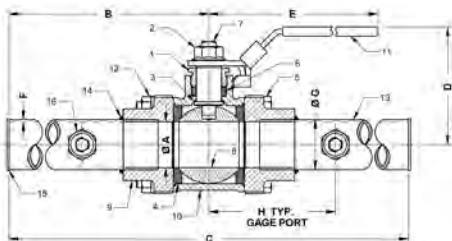
### MALE EXTENSIONS AND 1 GAGE PORT



Size (in.)	82-200 Model Number	82-240 Model Number 316SS Ball & Stem	Dimensions (in.)							
			A	B	C	D	E	F	G	H
1/2	82203F1	82243F1	0.62	6.91	17.41	2.23	5.31	0.049	5/8"	7.15
3/4	82204F1	82244F1	0.81	6.97	17.47	2.41	5.31	0.065	3/4"	7.22
1	82205F1	82245F1	1.00	7.03	17.62	3.01	6.29	0.065	1-1/4"	7.28
1-1/4	82206F1	82246F1	1.25	7.38	22.71	3.22	6.29	0.065	1-3/8"	7.00
1-1/2	82207F1	82247F1	1.50	7.50	22.57	4.04	8.93	0.072	1-5/8"	6.74
2	82208F1	82248F1	2.00	7.74	22.58	4.15	8.93	0.083	2-1/8"	6.51
2-1/2	82209F1	82249F1	2.50	11.75	23.50	5.31	10.06	0.095	2-1/2"	6.38

### 82-200F3 AND 82-240F3 SERIES

### MALE EXTENSIONS AND 2 GAGE PORTS

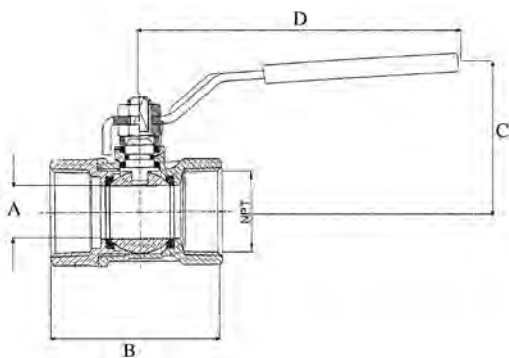


Size (in.)	82-200 Model Number	82-240 Model Number 316SS Ball & Stem	Dimensions (in.)							
			A	B	C	D	E	F	G	H
1/2	82203F3	82243F3	0.62	12.27	24.53	2.23	5.31	0.049	5/8"	4.25
3/4	82204F3	82244F3	0.81	12.25	24.50	2.41	5.31	0.065	3/4"	4.24
1	82205F3	82245F3	1.00	12.30	24.60	3.01	6.29	0.065	1-1/4"	4.24
1-1/4	82206F3	82246F3	1.25	12.23	24.46	3.22	6.29	0.065	1-3/8"	4.23
1-1/2	82207F3	82247F3	1.50	12.25	24.50	4.04	8.93	0.072	1-5/8"	4.25
2	82208F3	82248F3	2.00	12.25	24.50	4.15	8.93	0.083	2-1/8"	4.25
2-1/2	82209F3	82249F3	2.50	11.75	23.50	5.31	10.06	0.095	2-1/2"	6.38

# COMMERCIAL PRODUCTS CATALOG

## Forged Brass Ball Valves (International)

### 64 SERIES



### APOLLO INTERNATIONAL™ FULL PORT BRASS BALL VALVES

Economy full port forged brass ball valve with maximum flow; ideal choice for all plumbing applications. Lever handle is standard on all sizes.

#### FEATURES

- Sizes from 1/4" to 4"
- Threaded (-100) and solder end (-200) connections
- Pressure rated to 600 psig CWP non-shock, all sizes
- Adjustable stem packing nut
- Temperatures to 366°F (185°C)
- Blowout-proof stem
- Chrome plated brass ball
- Secondary o-ring stem seal
- PTFE seats, thrust bearing and stem packing

Optional Kits Valve Size (in.)	Stem Extensions	Balancing Stops	Locking Handles	Lever Handles
1/4, 3/8 and 1/2	78-1501-01	78-1506-01	78-1659-02	78-1646-01*
3/4 and 1	78-1502-01	78-1507-01	78-1660-02	78-1647-01
1-1/4 and 1-1/2	78-1503-01	78-1508-01	78-1661-02	78-1648-01
2	78-1504-01	78-1509-01	78-1662-02	78-1649-01
2-1/2 and 3	78-1505-01	-	-	78-1650-01
4	-	-	-	78-1651-01

Note: Lever handle available on 1/2" - 4". Kits are not UL marked.

#### STANDARDS COMPLIANCE

- ANSI Z21.15.CGA9.1
- AGA No. 3-88
- ANSI B1.20.1
- ANSI B16.18
- CAN/CGA-3.16-M88
- ASME/ANSI B16.33
- ASME/ANSI B16.38
- MSS SP-110
- UL Guide YSDT
- UL Guide YRPV
- UL Guide VQGU
- ANSI/NSF 61-8
- RoHS Compliant
- ASME B16.44
- Gas approvals apply to NPT models only



64-100 NPT Model Number	Size (in.)	Dimensions (in.)				Cv	Wt. Ea.
		A	B	C	D		
64-101-01	1/4 NPT	0.39	2.02	1.75	3.85	6	0.33
64-102-01	3/8 NPT	0.39	2.02	1.75	3.85	7	0.30
64-103-01	1/2 NPT	0.59	2.44	1.88	3.85	19	0.51
64-104-01	3/4 NPT	0.78	2.71	2.28	4.80	34	0.80
64-105-01	1 NPT	0.98	3.07	2.44	4.80	50	1.25
64-106-01	1-1/4 NPT	1.25	3.42	3.07	6.02	104	2.26
64-107-01	1-1/2 NPT	1.57	3.89	3.34	6.02	268	3.39
64-108-01	2 NPT	1.96	4.33	3.79	6.37	309	4.25
64-109-01	2-1/2 NPT	2.56	5.59	5.02	8.07	629	8.60
64-100-01	3 NPT	3.15	6.45	5.45	8.07	1018	13.35
64-10A-01	4 NPT	3.94	7.60	6.34	10.23	1622	22.05

64-200 Solder Model Number	Size (in.)	Dimensions (in.)				Cv	Wt. Ea.
		A	B	C	D		
64-203-01	1/2	0.59	2.53	1.88	3.85	19	0.51
64-204-01	3/4	0.78	2.99	2.28	4.80	34	0.78
64-205-01	1	0.98	3.58	2.44	4.80	50	1.14
64-206-01	1-1/4	1.25	4.09	3.07	6.02	104	2.07
64-207-01	1-1/2	1.57	4.56	3.34	6.02	268	3.42
64-208-01	2	1.96	5.43	3.79	6.37	309	4.49
64-209-01	2-1/2	2.56	6.93	5.02	8.07	629	10.00
64-200-01	3	3.15	8.09	5.45	8.07	1018	15.00
64-20A-01	4	4.13	10.25	6.34	10.23	1622	25.00

## Forged Brass Economy Valves

### 94A SERIES



### APOLLO INTERNATIONAL™ ECONOMY FULL PORT BALL VALVES

These full port ball valves with forged brass body are UL listed and CSA approved.

#### FEATURES

- Adjustable stem packing nut
- Meets MSS SP110 requirements
- 2-1/4" memory stop option
- 600 CWP non-shock (1/4" - 2")
- 400 CWP non-shock (2-1/2" - 4")
- NSF 61 Section 8
- **Lead Free** option (94ALF)

#### APPROVALS

**CSA listed** (File # 226234) per the following standards:

CAN 1-9.1	1/2 psig
CGA 3.16	125 psig
CGA CR91-002	5 psig
ANSI Z21.15	1/2 psig
ASME B16.44	5 psig
ANSI/ASME B16.33	125 psig



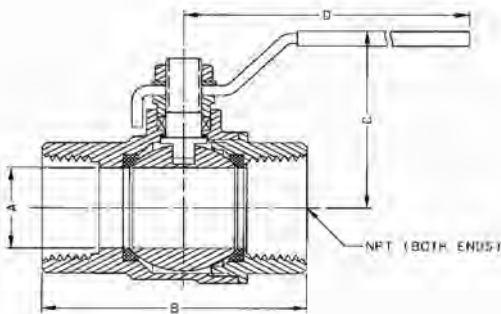
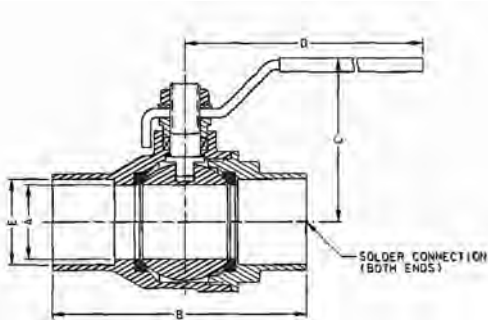
**UL listed** (File # MH18844) per the following guides:

- LP-Gas Shut-Off Valves (YSDT)
- Manual Valves (MHKZ)
- Compressed Gas Shut-Off Valves (YQNZ)
- Flammable Liquid Shut-Off Valves (YRBX)
- Gas Shut-Off Valves (YRPV)



#### FM 1140

\* Gas approvals apply to NPT models only



Size	Replacement Handles	2-1/4" Stem Extension + Memory Stop
1/4"-3/8"	W932400	78217101
1/2"	W932500	78217201
3/4"	W936000	78217301
1"	W932600	78217401
1-1/4"	W932700	78217501
1-1/2"-2"	W932800	78217601
2-1/2"-3"	W932900	78217701
4"	W933000	78217801

- Kits do not include stem nut  
- Replacement handles are not UL marked



Model Number	LF Model Number	Size (in.)	Dimensions (in.)					Wt.
			A	B	C	D	E	
<b>NPT</b>								
94A-101-01	94ALF-101-01	1/4"	0.395	1.746	1.278	3.543	-	0.33
94A-102-01	94ALF-102-01	3/8"	0.407	1.756	1.278	3.543	-	0.30
94A-103-01	94ALF-103-01	1/2"	0.583	2.047	1.921	3.543	-	0.44
94A-104-01	94ALF-104-01	3/4"	0.748	2.362	2.087	3.780	-	0.66
94A-105-01	94ALF-105-01	1"	0.945	2.756	2.559	4.528	-	1.10
94A-106-01	94ALF-106-01	1-1/4"	1.260	3.307	2.953	4.528	-	1.57
94A-107-01	94ALF-107-01	1-1/2"	1.575	3.661	3.346	5.512	-	2.40
94A-108-01	94ALF-108-01	2"	1.969	4.181	3.681	5.512	-	3.37
94A-109-01	94ALF-109-01	2-1/2"	2.520	5.378	4.764	8.661	-	7.60
94A-100-01	94ALF-100-01	3"	2.953	6.039	5.079	8.661	-	9.36
94A-10A-01	94ALF-10A-01	4"	3.945	7.386	5.868	9.606	-	16.86
<b>Solder</b>								
94A-203-01	94ALF-203-01	1/2"	0.583	2.047	1.839	3.543	0.630	0.38
94A-204-01	94ALF-204-01	3/4"	0.748	2.748	1.996	3.780	0.878	0.64
94A-205-01	94ALF-205-01	1"	0.945	3.228	2.441	4.528	1.130	0.99
94A-206-01	94ALF-206-01	1-1/4"	1.260	3.819	2.854	4.528	1.378	1.40
94A-207-01	94ALF-207-01	1-1/2"	1.575	4.425	3.169	5.512	1.630	2.17
94A-208-01	94ALF-208-01	2"	1.969	5.315	3.449	5.512	2.130	2.97
94A-209-01	94ALF-209-01	2-1/2"	2.520	6.263	4.764	8.661	2.630	6.36
94A-200-01	94ALF-200-01	3"	2.953	7.150	5.079	8.661	3.130	8.32
94A-20A-01	N/A	4"	3.945	7.386	5.868	9.606	4.130	15.78



For additional information, submittal sheets and manuals, visit [www.apollovalves.com](http://www.apollovalves.com)

Customer Service (704) 841-6000

# COMMERCIAL PRODUCTS CATALOG

## Mini Ball Valves

### 94 MBV SERIES

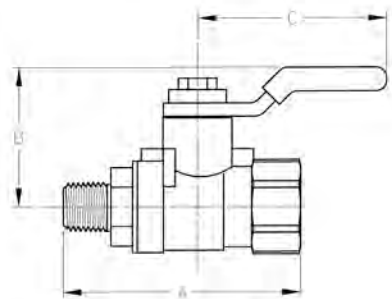


#### MINI BALL VALVE – APOLLO INTERNATIONAL™

Designed for commercial and light industrial use. Conventional port, constructed of heavy-duty forged brass, PTFE seats and gland follower with double viton o-rings, to prevent stem leakage.

#### FEATURES

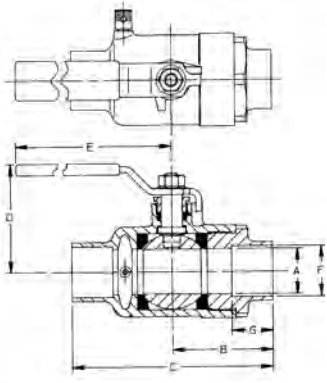
- Reversible handle
- Blowout-proof stem
- Double viton o-rings
- Large raised wrench flats
- Chrome plated brass ball
- Maximum 600 psig at 100°F, non-shock
- Temps from -40°F to 300°F
- CSA/ANSI Z21.15 (1/2 psig), CGA9.1 approved
- ASME B16.44 (2 and 5 psig) approved
- MSS-SP110 compliant



Model Number	Size (in.)	Dimensions (in.)			Port Ø	Wt. (lbs.)
		A	B	C		
94MBV01	1/4 FNPT x 1/8 MNPT	1.96	1.25	1.67	0.31	0.19
94MBV02	1/4 FNPT x 1/4 MNPT	2.04	1.15	1.67	0.31	0.20
94MBV03	1/4 FNPT x 1/4 FNPT	1.63	1.28	1.67	0.31	0.17
94MBV04	1/8 FNPT x 1/8 MNPT	1.97	1.20	1.67	0.31	0.16
94MBV05	1/8 FNPT x 1/8 FNPT	1.61	1.23	1.67	0.31	0.16

## Stop & Waste Ball Valves

### 95 SERIES



#### FULL-PORT STOP AND WASTE BALL VALVE

Perfect choice for hydronic and water systems where system draining is required. Replaces globe style stop and waste valves. Designed to be soft soldered into lines with no disassembly. 95-100 Series are NPT, 95-200 are solder.

#### FEATURES

- Rated 400 psig CWP, non-shock
- Drain cap designed to prevent fluid loss
- **Lead Free** option (95LF)
- NSF/ANSI 61(2010) Annex F & G
- Cast bronze body
- Adjustable packing gland
- Many handle options available
- 100% tested
- Made in U.S.A.

Model Number	LF Model Number	Size (in.)	Dimensions (in.)						
			A	B	C	D	E	F	G
<b>Threaded</b>									
95-103-01	95LF-103-01	1/2	0.50	1.09	2.18	1.75	3.87		
95-104-01	95LF-104-01	3/4	0.81	1.56	3.12	2.15	4.87		
95-105-01	95LF-105-01	1	1.00	1.81	3.62	2.43	4.87		
<b>Solder</b>									
95-203-01	95LF-203-01	1/2	0.50	1.43	2.87	1.75	3.87	0.63	0.50
95-204-01	95LF-204-01	3/4	0.81	2.12	4.12	2.15	4.87	0.88	0.75
95-205-01	95LF-205-01	1	1.00	2.21	4.43	2.43	4.87	1.13	0.90



# BALL VALVES

## International Economy Valves

### 95A SERIES

#### APOLLO INTERNATIONAL™ ECONOMY FULL PORT STOP AND WASTE BALL VALVE

##### FEATURES

- Pressure rated to 600 psig CWP
- Temperatures to 300°F (148.8°C) max
- Suitable for water, oil and gas
- Adjustable packing nut
- Forged brass construction
- Full port design



NPT	Solder	Size (in.)
95A-303-01	95A-403-01	1/2
95A-304-01	95A-404-01	3/4
95A-305-01	95A-405-01	1

## General Purpose Uni-Body Valves

### 9A-100 SERIES

#### HEAVY PATTERN UNI-BODY THREADED BALL VALVE

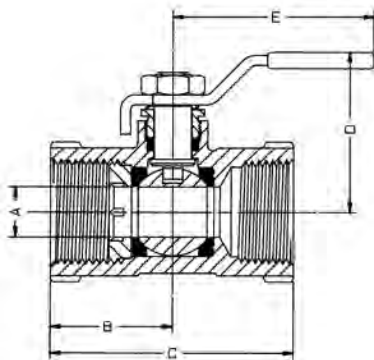
One piece bronze valve eliminates leak paths. Features static grounding devices and adjustable packing gland. Lever handle standard.

##### FEATURES

- Rated 600 psig CWP, non-shock
- 150 SWP
- Blowout-proof stem design

##### OPTIONS INCLUDE:

- Cam lock option (-30 suffix)
- Round handle option (-15 suffix)
- Latch lock handle option (-27 suffix)



Model Number	Size (in.)	Dimensions (in.)				
		A	B	C	D	E
9A-101-01	1/4	0.37	1.34	2.59	1.68	3.87
9A-102-01	3/8	0.37	1.34	2.59	1.68	3.87
9A-103-01	1/2	0.37	1.34	2.59	1.81	3.87
9A-104-01	3/4	0.50	1.44	2.84	1.84	3.87
9A-105-01	1	0.62	1.72	3.28	2.00	4.87
9A-106-01	1-1/4	0.81	1.94	3.84	2.18	4.87
9A-107-01	1-1/2	1.00	2.06	4.00	2.68	5.50
9A-108-01	2	1.25	2.29	4.56	2.87	5.50

# COMMERCIAL PRODUCTS CATALOG

## Versatile Iron Ball Valves (International)

### IBV-125 SERIES (6P & 6Q SERIES)



6P

#### 6P CAST IRON FULL PORT CLASS 125 FLANGED BALL VALVE

Meets MSS SP-72, ANSI B16.10 performance standards. Can be used to replace IBBM gate valve or plug valve. Low profile handle for easy installation in tight areas.

#### FEATURES

- 200 CWP/ 125 SWP
- 350° F max.
- Full port design in all sizes offers superior flow rate
- No bronze seat rings, disc rings or stems to wear out
- Quarter-turn operation offers instant, positive shut off with zero leakage
- Gear operator standard for 8" and 10"
- Stainless steel ball resists corrosion
- Handle indicates valve operation status
- Large actuator mounting pad standard
- Blowout-proof stainless steel stem
- PTFE seats and packing, not nitrile or EPDM
- Opens and closes easily, without cheater bar



6Q

#### 6Q EPOXY COATED DUCTILE IRON FULL PORT CLASS 125 FLANGED BALL VALVE

All of the same design and construction features of the IBV-125 plus an FDA-approved, heat fused epoxy coating making them ideal for corrosive water service as well as food contact applications. Rated 200 CWP @ 200°F

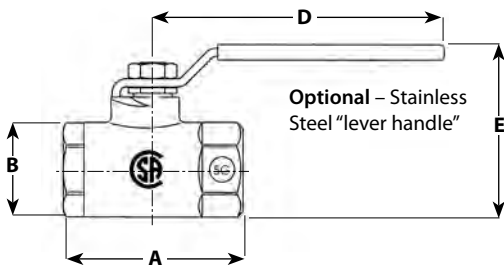
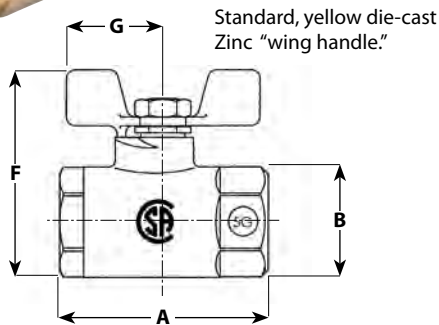
IBV Model Number	IBVE Model Number	Size (in.)	Dimensions (in.)				Wt.
			A	B	C	D	
6P-208-01	-	2	7.00	6.00	9.00	3.00	22.0
6P-209-01	6Q-209-01	2-1/2	7.50	7.00	16.00	3.70	34.0
6P-200-01	6Q-200-01	3	8.00	7.50	16.00	4.00	38.0
6P-20A-01	6Q-20A-01	4	9.00	9.00	19.70	4.80	58.0
6P-20C-01	6Q-20C-01	6	10.50	11.00	26.00	7.20	118.0
6P-20E-01	-	8*	11.50	13.50	-	9.24	345.0
6P-20G-01	-	10*	13.00	16.00	-	11.81	440.0

\* with manual gear operator

# BALL VALVES

## Gas/Fuel Shut-Off Valves

### GB-10 SERIES



### CSA GAS SHUT-OFF VALVES

Manual shut-off valves engineered specifically for low pressure gas service. Canadian Standard Association design and capacity certified with American-made quality. High-copper content body, chrome-plated ball, and PTFE seats.

#### FEATURES

- Complies with ANSI Z21.15, CR91-002, and ASME 16.44
- Use with natural, manufactured, mixed and liquefied petroleum gases, LP gas-air mixtures
- Temperature range: 32°F - 125°F at pressures of 1/2 and 5 psig
- Standard die-cast zinc "wing" handle (-01), epoxy coated
- Lever (-L1) or tee handle (-T1) options
- Made in U.S.A.

Model Number	Size (in.)	Connection	BTU/Hr*	Dimensions (in.)						
				A	B	C	D	E	F	G
51GB201	3/8	3/8 NPT	318,700	2.04	1.06	0.38	3.85	2.24	2.20	0.81
51GB301	1/2	1/2 NPT	623,750	2.24	1.18	0.50	3.85	2.30	2.24	0.81
51GB401	3/4	3/4 NPT	1,265,000	2.97	1.55	0.69	4.75	2.85	2.90	1.00
51GB501	1	1 NPT	2,037,500	3.33	1.81	0.88	4.75	3.10	3.15	1.00

\* Capacity based on a gas having a heating value of 1000 Btu/cubic feet and an S.G. of 0.64 at a P.D. of 1" W.C.

## Gas Appliance Ball Valves – Apollo International™

### GB-15 & GB-16 SERIES



GB-15



GB-16



### GAS BALL VALVE

Designed for natural gas, manufactured and mixed gas, liquefied petroleum gases and LP gas-air mixture applications.

#### APPROVALS

- ANSI Z21.15, CGA9.1
- ASME B16.44
- UL Guide YRBX
- UL Guide MHKZ
- UL Guide YRPV
- UL Guide YSDT

Model Number	Part Number	Size & End Connection (in.)
GB-15	51GF301	1/2 FNPT x 1/2 FNPT
GB-15	51GF401	3/4 FNPT x 3/4 FNPT
GB-16	51GG201	1/2 FNPT x 3/8 Flare
GB-16	51GG301	1/2 FNPT x 1/2 Flare

# COMMERCIAL PRODUCTS CATALOG

## Gas/Fuel Shut-Off Valves

### GB-50 & GB-50A SERIES



**GB-50**



**GB-50A**



### CSA GAS SHUT-OFF VALVES

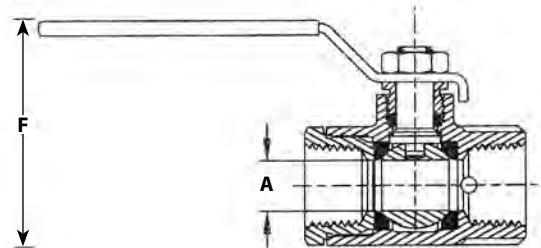
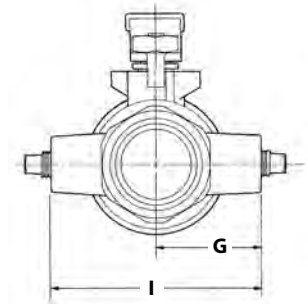
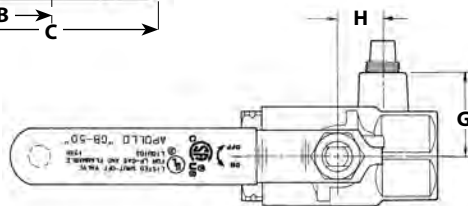
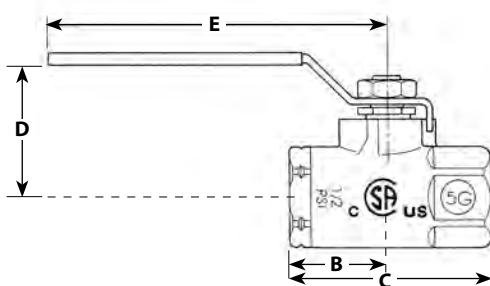
Designed for indoor "main burner" applications with cast-in single or dual pilot tap. ASTM B584 bronze body, chrome-plated ball, brass stem, retainer and gland screws for corrosion resistance.

#### FEATURES

- For natural gas, manufactured and mixed Gas, liquefied petroleum gases and LP gas-air mixtures
- Rated pressures of 1/2 and 5 psig
- Standard connection is FNPT x FNPT
- High capacity
- Reversible plated steel lever handle. Optional "tee" handle (-07)

#### APPROVALS

- ANSI Z21.15, CGA9.1
- ASME B16.44 (2 and 5 psig)
- MSS-SP110
- UL Guide YRBX
- UL Guide MHKZ
- UL Guide YRPV
- UL Guide YSDT
- UL 125, UL 842



Model No. Single Tapped	Model No. Dual Tapped	Size (in.)	Tapping	Dimensions (in.)									Capacity BTU/Hr.
				A	B	C	D	E	F	G	H	I	
50GB301	--	1/2	1/8	0.50	1.11	2.25	1.68	3.85	2.27	1.00	0.53	-	693000
50GB401	50GB401A	3/4	1/8	0.75	1.26	2.67	1.93	3.85	2.72	1.12	0.75	2.24	1258000
50GB501	50GB501A	1	1/8	1.00	1.65	3.42	2.19	4.78	3.18	1.53	0.94	3.06	3144000
50GB601	50GB601A	1-1/4	1/8	1.25	1.87	3.86	2.37	4.78	3.56	1.62	1.15	3.24	6441000
50GB701	50GB701A	1-1/2	1/8	1.50	2.05	4.22	2.81	5.40	4.21	1.81	1.31	3.62	7745000
50GB801	50GB801A	2	1/8	2.00	2.48	5.02	3.18	5.40	4.93	2.18	1.68	4.36	14741000
50GB5A1	50GB5A1A	1	1/4	1.00	1.65	3.42	2.19	4.78	3.18	1.53	0.94	3.06	3144000
50GB6A1	50GB6A1A	1-1/4	1/4	1.25	1.87	3.86	2.37	4.78	3.56	1.62	1.15	3.24	6441000
50GB7A1	50GB7A1A	1-1/2	1/4	1.50	2.05	4.22	2.81	5.40	4.21	1.81	1.31	3.62	7745000
50GB8A1	50GB8A1A	2	1/4	2.00	2.48	5.02	3.18	5.40	4.93	2.18	1.68	4.36	14741000

\* Note: Capacities based on 1000 Btu/cubic feet gas at 0.64 specific gravity, at a P.D. of 1" W.C.



# BUTTERFLY VALVES

# BUTTERFLY VALVES



See Butterfly Valves Catalog (ABBR141G) for more detailed information about the products in this section.

# BUTTERFLY VALVES

## General Purpose Butterfly Valves – 141 & 145 Series

### LD/WD 141 SERIES

APOLLO INTERNATIONAL™



**WD 141**  
Wafer  
2" – 12"



**LD 141**  
Lug  
2" – 36"

### LD/WD 145 SERIES

MADE IN AMERICA



**WD 145**  
Wafer  
2" – 12"



**LD 145**  
Lug  
2" – 12"

The Apollo LD/WD Series ductile iron butterfly valves are ideal for use in industrial and HVAC/mechanical applications. The WD Series is a wafer style valve and the LD Series is a lug style.

### FEATURES

- Compatible with ANSI 125# & 150# flanges
- ISO 5211 top plate allows choice of Apollo pneumatic actuators and manual operators
- Conforms to MSS SP-67 & API 609
- LD141 Series suitable for end of line service to rated pressure
- 3"-24" meet performance requirements of AWWA C-504

### PRESSURE-TEMPERATURE RATING AT 100°F (37.8°C)

All Body, Disc, Seat Combinations

2"-12" (DN50 - DN300) 200 psi (13.8 bar)

14"-24" (DN350 - DN600) 150 psi (10.3 bar)

All Sizes – Vacuum Rating 29 inches of Hg

### Torque Rating (in. lbs.)

Valve Size <sup>1</sup>		Full Rated Pressures (psig)			
Inches	DN	ΔP50	ΔP100	ΔP150	ΔP200
2	50	100	106	111	117
2.5	65	150	163	176	189
3	80	207	220	232	244
4	100	290	323	357	390
5	125	423	481	540	598
6	150	599	691	783	875
8	200	1060	1183	1307	1430
10	250	1671	1872	2074	2275
12	300	2568	2795	3023	3250
14	350	2640	3070	3500	N/A
16	400	4260	4880	5500	N/A
18	450	6287	7243	8200	N/A
20	500	8360	9180	10000	N/A
24	600	15427	16813	18200	N/A

<sup>1</sup> LD (2"-24"); WD (2"-12"); LC (2"-12")



See Butterfly Valves Catalog (ABBR141G) for more detailed information about the products in this section.

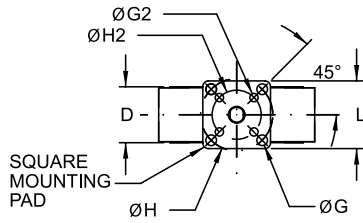
Customer Service (704) 841-6000

# COMMERCIAL PRODUCTS CATALOG

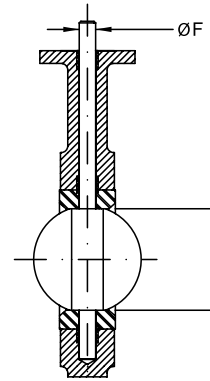
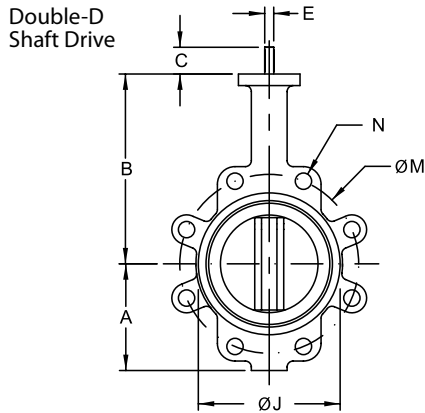
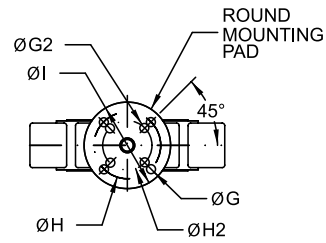
## General Purpose Butterfly Valves – 141 & 145 Series

### LD MODEL

2" - 12"



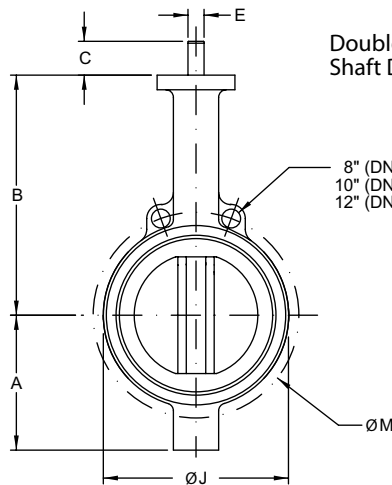
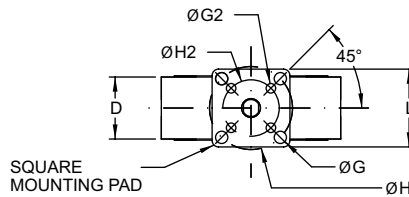
14" - 24"



Shaft Drive:  
Double-D (14")  
Round & Keyed (16" & larger)

### WD MODEL

2" - 12"



Double-D  
Shaft Drive

8" (DN 200) : 2 HOLES, 0.98" DIAMETER  
10" (DN 250) : 2 HOLES, 0.98" DIAMETER  
12" (DN 300) : 2 HOLES, 0.98" DIAMETER



# BUTTERFLY VALVES

## General Purpose Butterfly Valves – 141 & 145 Series

Size Inches	Size DN	Dimensions in Inches – 141 & 145 Series								
		A	B	C	D	E	ØF	ØG	ØG2	Key
2	50	3.25	6.38	1.25	1.75	0.394	0.496	0.375	--	--
2-1/2	65	3.75	6.88	1.25	1.88	0.394	0.496	0.375	--	--
3	80	4.00	7.13	1.25	1.88	0.394	0.496	0.375	--	--
4	100	4.88	7.88	1.25	2.13	0.472	0.621	0.375	--	--
5	125	5.38	8.38	1.25	2.25	0.551	0.745	0.375	--	--
6	150	5.88	8.88	1.25	2.25	0.551	0.745	0.375	--	--
8	200	7.13	10.25	1.75	2.50	0.669	0.870	0.563	0.438	--
10	250	8.25	11.50	1.88	2.75	0.866	1.120	0.563	0.438	--
12	300	9.75	13.25	1.88	3.13	0.945	1.244	0.563	--	--
14	350	11.00	14.50	1.88	3.13	0.945	1.244	0.563	--	--
16	400	12.00	15.75	2.00	3.50		1.313	0.563	--	.313 sq
18	450	14.38	16.63	2.00	4.25		1.500	0.813	--	.375 sq
20	500	14.63	18.88	2.50	5.25		1.625	0.813	--	.375 sq
24	600	18.00	22.13	2.75	6.13		2.000	0.813	--	.500 sq

Size Inches	Dimensions in Inches – 141 & 145 Series								
	ØH	ØH2	ØI	ØJ	K	L	M	N (# Holes)	N (Tap UNC)
2	2.756	--	2.70	4.00	2.09	1.113	4.75	4	.625-11
2-1/2	2.756	--	2.70	4.75	2.54	1.706	5.50	4	.625-11
3	2.756	--	2.70	5.13	3.09	2.450	6.00	4	.625-11
4	2.756	--	2.70	6.75	4.09	3.488	7.50	8	.625-11
5	2.756	--	2.70	7.75	4.85	4.296	8.50	8	.750-10
6	2.756	--	2.70	8.63	6.13	5.697	9.50	8	.750-10
8	4.921	4.015	4.61	10.56	7.89	7.468	11.75	8	.750-10
10	4.921	4.015	4.61	13.06	9.89	9.484	14.25	12	.875-9
12	4.921	--	4.61	16.00	11.89	11.456	17.00	12	.875-9
14	4.921	--	Ø5.91	17.13	13.38	13.000	18.75	12	1.00-8
16	4.921	--	Ø5.91	20.00	15.38	14.970	21.25	16	1.00-8
18	6.496	--	Ø8.27	21.38	17.38	16.847	22.75	16	1.125-7
20	6.496	--	Ø8.27	23.31	19.38	18.650	25.00	20	1.125-7
24	6.496	--	Ø8.27	27.88	23.38	22.558	29.50	20	1.125-7

### Approximate Weight for Bare Shaft Valve

Valve Size		WD Model Lbs (kg)	LD Model Lbs (kg)
Inches	DN		
2	50	6 (2.7)	8 (3.6)
2.5	65	6 (2.7)	10 (4.5)
3	80	7 (3.2)	11 (5.0)
4	100	11 (5.0)	17 (7.7)
5	125	13 (5.9)	20 (9.1)
6	150	16 (7.3)	23 (10.4)
8	200	29 (13.2)	39 (17.7)
10	250	44 (20.0)	62 (28.1)
12	300	70 (31.8)	97 (44.0)
14	350		148 (67.1)
16	400		206 (93.4)
18	450		277 (125.6)
20	500		410 (186.0)
24	600		592 (268.5)



See Butterfly Valves Catalog (ABBR141G) for more detailed information about the products in this section.

Customer Service (704) 841-6000

# COMMERCIAL PRODUCTS CATALOG

## Contractor Grade Butterfly Valves – 149 Series

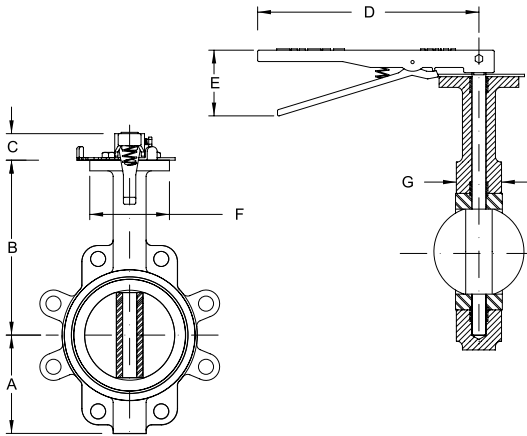
### LC-149 SERIES

### APOLLO INTERNATIONAL™

The LC149 Series Cast Iron Butterfly Valves are ideal for use in Industrial and HVAC/Mechanical applications. The LC149 Series is a lug style valve designed to be economical yet full featured.

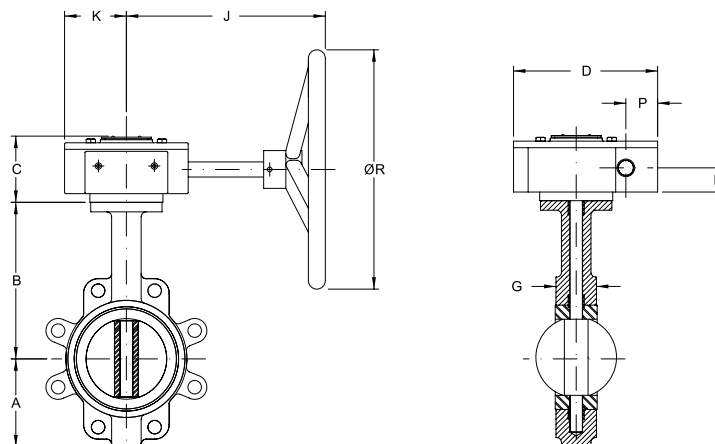
#### PERFORMANCE RATING

- Max Operating Pressure: 200 psi (13.8 bar)
- Temperature Range: -30°F (-34°C) to 275°F (135°C)
- Cast iron body, EPDM seats and aluminum bronze disc is standard



Size (in)	Dimensions in Inches – 149 Series with Handle						
	A	B	C	D	E	F	G
2	3.25	6.38	1.25	10.5	3.1	2.70	1.75
2-1/2	3.75	6.88	1.25	10.5	3.1	2.70	1.88
3	4.00	7.13	1.25	10.5	3.1	2.70	1.88
4	4.88	7.88	1.25	10.5	3.1	2.70	2.13
5	5.38	8.38	1.25	10.5	3.1	2.70	2.25
6	5.88	8.88	1.25	10.5	3.1	2.70	2.25
8	7.13	10.25	1.75	14.3	3.5	4.61	2.50
10	8.25	11.50	1.88	14.3	3.5	4.61	2.75
12	9.75	13.25	1.88	14.3	3.5	4.61	3.13

Size (in)	Dimensions in Inches – 149 Series with Optional Gear Operator									
	A	B	C	D	G	H	J	K	P	ØR
8	7.13	10.25	3.38	8.00	2.50	1.62	9.48	3.25	1.50	11.88
10	8.25	11.50	3.38	8.00	2.75	1.62	9.48	3.25	1.50	11.88
12	9.75	13.25	3.38	8.00	3.13	1.62	9.48	3.25	1.50	11.88



# BUTTERFLY VALVES

## How to Order WD141 and LD141 Butterfly Valves – Apollo International™

### MODEL NUMBER:

<b>WD</b>	<b>141</b>	<b>06</b>	<b>B</b>	<b>E</b>	<b>1</b>	<b>1</b>
SERIES	SIZE (IN.)	DISC MATERIAL	SEAT MATERIAL	OPERATOR		
<b>WD</b>	Wafer Body	<b>02</b> 2"	<b>B</b> Aluminum Bronze	<b>E</b> Black EPDM *	<b>0</b>	Bare Shaft - None
	Ductile Iron	<b>25</b> 2.5"	<b>D</b> Ductile Iron A536 Nickel Plated	-30°F to 275°F -34°C to 135°C	<b>1</b>	10 Position Handle
<b>LD</b>	Lug Body	<b>03</b> 3"	<b>S</b> Stainless Steel, CF8M	<b>N</b> Black BUNA-N *	<b>2</b>	Gear Operator - Direct Mount
		<b>04</b> 4"			<b>3</b>	Infinite Position Handle
	Ductile Iron	<b>05</b> 5"	<b>4</b>	Locking Handle		
		<b>06</b> 6"	<b>5</b>	Gear Operator w/Chainwheel		
		<b>08</b> 8"	<b>7</b>	Locking Gear Operator		
		<b>10</b> 10"	<b>8</b>	Locking Gear Operator w/Chainwheel		
		<b>12</b> 12"				
		<b>14</b> 14"				
		<b>16</b> 16"				
		<b>18</b> 18"				
<b>20</b> 20"						
<b>24</b> 24"						
			<b>V</b> Black Viton® B -15°F to 400°F -26°C to 204°C			
			* FDA Food Grade			

### EXAMPLE:

**WD141-06-BE-11:** 6" WD141 Series, Ductile Iron Wafer Body, Aluminum Bronze Disc, Black EPDM Seat, 416 SS Shaft with 10 Position Handle

## How to Order WD145 and LD145 Butterfly Valves – Made in America

### MODEL NUMBER:

<b>WD</b>	<b>145</b>	<b>06</b>	<b>B</b>	<b>E</b>	<b>1</b>	<b>1</b>
SERIES	SIZE (IN.)	DISC MATERIAL	SEAT MATERIAL	OPERATOR		
<b>WD</b>	Wafer Body	<b>02</b> 2"	<b>B</b> Aluminum Bronze	<b>E</b> Black EPDM *	<b>0</b>	Bare Shaft - None
	Ductile Iron	<b>25</b> 2.5"	<b>D</b> Ductile Iron A536 Nickel Plated	-30°F to 275°F -34°C to 135°C	<b>1</b>	10 Position Handle
<b>LD</b>	Lug Body	<b>03</b> 3"	<b>S</b> Stainless Steel, CF8M	<b>N</b> Black BUNA-N *	<b>2</b>	Gear Operator - Direct Mount
		<b>04</b> 4"			<b>3</b>	Infinite Position Handle
	Ductile Iron	<b>05</b> 5"	<b>4</b>	Locking Handle		
		<b>06</b> 6"	<b>5</b>	Gear Operator w/Chainwheel		
		<b>08</b> 8"	<b>7</b>	Locking Gear Operator		
		<b>10</b> 10"	<b>8</b>	Locking Gear Operator w/Chainwheel		
<b>12</b> 12"						
			<b>V</b> Black Viton® B -15°F to 400°F -26°C to 204°C			
			* FDA Food Grade			

### EXAMPLE:

**WD145-06-BE-11:** 6" WD145 Series, Ductile Iron Wafer Body, Aluminum Bronze Disc, Black EPDM Seat, 416 SS Shaft with 10 Position Handle



See Butterfly Valves Catalog (ABBR141G) for more detailed information about the products in this section.

Customer Service (704) 841-6000

# COMMERCIAL PRODUCTS CATALOG

## How to Order LC149 Butterfly Valves - Contractor Grade

### MODEL NUMBER:

LC149

06

1

SERIES NUMBER	SIZE (IN)	OPERATOR
LC149	02 - 2	1 - 10 POSITION HANDLE (2" - 12")
Cast Iron Lug Body	25 - 2.5	2 - GEAR OPERATOR (8" - 12" ONLY)
Aluminum Bronze Disc	03 - 3	
416 SS Shaft	04 - 4	
Black EPDM Seat	05 - 5	
	06 - 6	
	08 - 8	
	10 - 10	
	12 - 12	

### EXAMPLE:

LC149-06-1: 6" LC149 Series, Cast Iron Body, Aluminum Bronze Disc, Black EPDM Seat, 416 SS Shaft with 10 Position Handle



**ACTUATION**



# ACTUATION



*See Actuation Catalog (ACCA9000) for more detailed information about the products in this section.*



## Pneumatic Actuators

### AD and AS SERIES

#### APOLLO® RACK & PINION

Designed and manufactured for the ultimate in durability and reliability, the new Apollo® Pneumatic Rack & Pinion Actuators provide outstanding service life.

Apollo Rack & Pinion actuators have replaceable insert drive adapters in all but the largest models, and many units have dual "F" series bolt patterns. The numerous actuator drive and bolt pattern combinations allow direct mounting of several valve styles.

#### FEATURES

- **Cast Aluminum Body**  
Yellow Chromate Powder Coat Finish
- **Die Cast Aluminum End Caps**  
Yellow Chromate Powder Coat Finish
- **Die Cast Aluminum Pistons**  
Yellow Chromate Coated
- **Aluminum Alloy Pinion**  
7075-T6  
Hard-coat Anodized Finish
- **Drive Inserts**  
Extruded Aluminum  
Hard-coat Anodized Finish
- **Preloaded Concentric Springs**  
Deltatone® Coated
- **Piston Guides**  
Molybdenum Disulfide filled Polyamide
- **Bushings**  
Polyoxymethylene (POM)
- **O-Ring Seals**  
Standard Temp. (-4°F to 180°F): Buna-N  
High Temp. (-4°F to 250°F): Fluorocarbon  
Low Temp. (-40°F to 180°F): Silicone
- **Capscrews, Nuts & Other Hardware**  
304 Stainless Steel
- **Torque Outputs**  
Up to 60623 inch pounds



## Automation Product

### AE SERIES



Ruggedly built and designed for easy installation, new Apollo® AE Series electric actuators deliver the most standard features and performance in their class. *Now CSA listed all sizes as standard.*

#### FIVE OUTPUT TORQUES, ONE HOUSING

- 200, 400, 600, 800 and 1,000 inch-pounds
- Long Service Life
- Anodized die cast aluminum housing
- Fiberglass reinforced nylon cover resists corrosion
- Nitrile gasket and seals cover all penetration points in housing and cover
- Precision cut and heat treated alloy spur gears
- Permanently lubricated enclosed gear train
- NEMA 4, 4X

#### EASY TO USE

- Two separate 1/2" NPT conduit entrances for easier wiring and signal separation
- 12-position pre-wired terminal strip includes standard connections for remote open/closed position indicators; lots of room for wiring options
- Unrestricted mounting orientation
- Built-in thermal overload protection in all AC motor actuators
- Limit switches have an 11 amp rating at 115 VAC
- High visibility valve position indicator standard on all models

#### MANY STANDARD FEATURES

- Stainless steel push-and-turn manual override shaft, position indicator shaft and female output
- ISO 5211 F07 drive output reduces inventory of mounting kits
- 115 AC & 220 AC models feature a 25% duty cycle below 100°F (24AC — 20% duty cycle below 100°F)
- 12 and 24 DC — all DC voltage models provide 100% duty cycle for 1 hour after which DC motor is reduced to 80% duty cycle.
- Reversible rotation

#### BROAD TEMPERATURE RANGE

- Operates from -40°F (when equipped with 15 watt heater and thermostat) to 150°F



## Actuator Accessories

### ACCESSORIES

### VALVE POSITION MONITORS, SOLENOIDS, AND POSITIONERS



#### VALVE POSITION MONITORS

Here's the ultimate in valve monitoring: Position monitors feature a high visibility, color-coded indicator to display valve position. All monitors are designed to correspond to the latest NAMUR standard for actuator/position monitoring units. Plated steel or stainless steel mounting kits are available to provide a pre-engineered mounting solution for maximizing position monitor performance and direct mounting to actuators. Other brands also available. See our Actuator Catalog for details.



#### SOLENOIDS

Apollo® actuators can be supplied with solenoids manufactured by AVC (Automatic Valve Company). Our 3/4 way, field convertible, direct mount (NAMUR pattern) solenoid valves feature a variety of interchangeable integrated molded coils. They're compatible with both spring return and double acting actuators.



#### POSITIONERS

Apollo valve positioners are excellent tools for increasing the gain of your valve package, often reducing your actuator size due to your increased ability to accurately control higher air deliveries, and the flexibility to add options and accessories to complete your control package's performance.

Their simple design makes PMV positioners (shown here) easy to understand, calibrate and repair. Rugged construction provides operation in a variety of tough applications. Compact size minimizes space requirements. A complete package means the user can select the right positioner for his application. A bright indicator makes it easy for operators to visually check the valve position. Spool valve design requires very little maintenance. The electro-pneumatic unit eliminates the need for an extra product and additional connections. PMV positioners are proven products recognized for providing years of reliable service. Other brands are also available from your Apollo distributor.

Apollo offers both pneumatic and electro-pneumatic positioners as standard. Pneumatic positioners may be used on either double acting or spring return actuators. The anodized aluminum housing provides excellent product integrity and good corrosion resistance. Options include special coatings, stainless steel housings and a variety of accessory items which can help you meet your most demanding control applications. See our Actuator Catalog for complete details.

## The Apollo® Actuator Wizard *makes sizing of actuators* **EASY.**

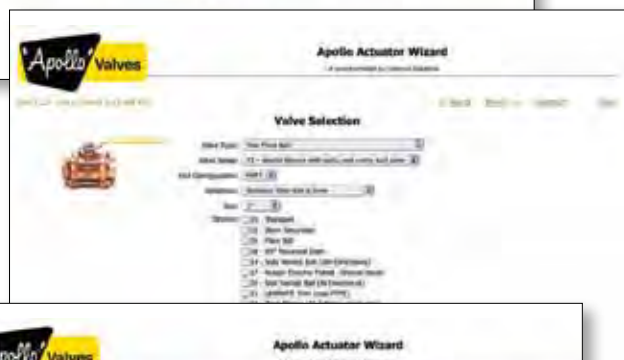
1.

Enter your valve selection.



2.

Enter details about the valve's service, and the desired actuator.

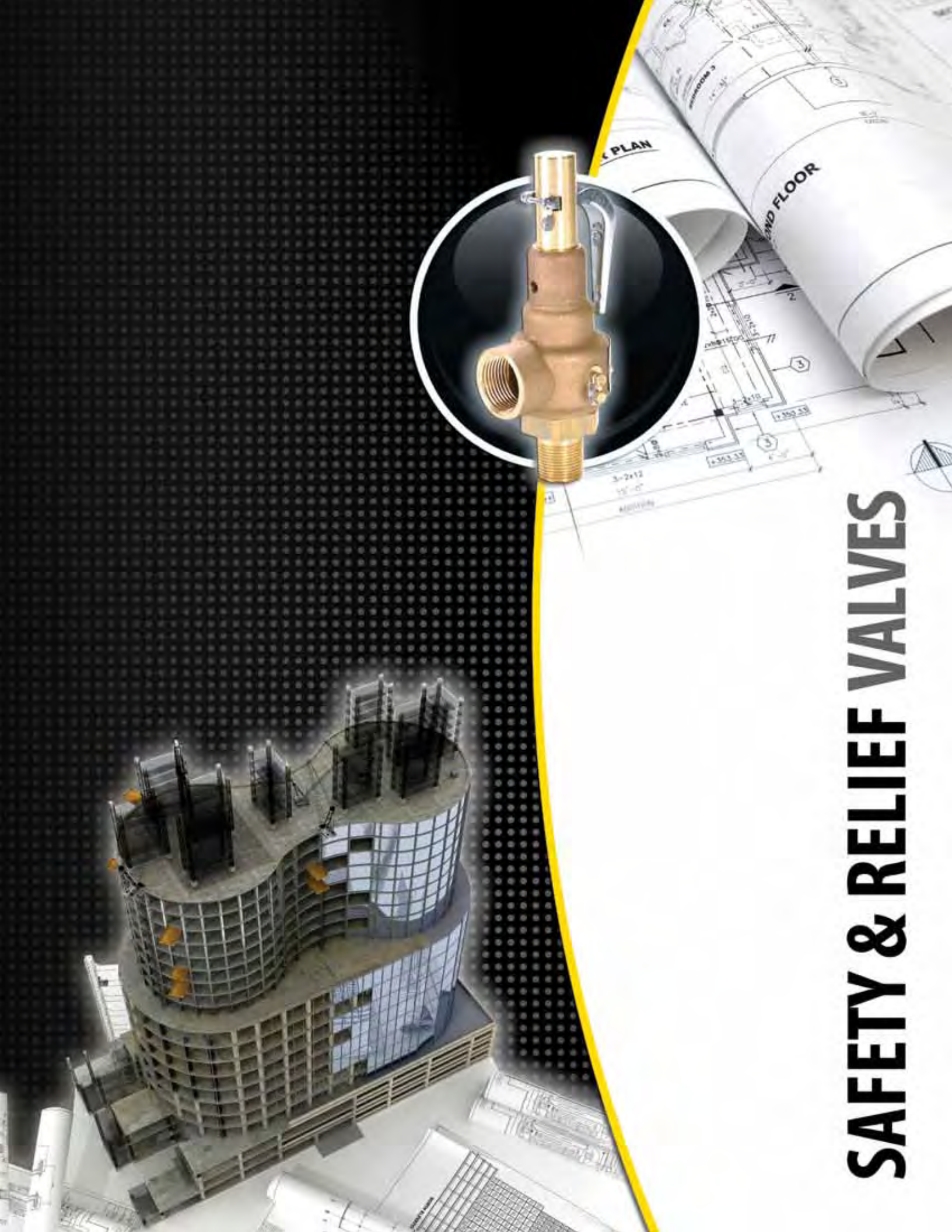


3.

Actuator is selected.



actuatorwizard.conbraco.com



# SAFETY & RELIEF VALVES

# SAFETY & RELIEF VALVES



*See Safety & Relief Valve Catalog (SRCA9000) for more detailed information about the products in this section.*



# SAFETY & RELIEF VALVES

## Hot Water Relief Valves

### RVW 10 (10) SERIES



10-102  
10-303



10-104  
10-301



10-321



10-407(30#)  
10-417



10-408 (30#)  
10-418



10-624  
(Male inlet)  
10-634  
(Female inlet)



### SECTION IV ASME HOT WATER RELIEF VALVES

These capacity-certified relief valves protect against excessive water pressure (from thermal expansion) and steam generated when Btu input controls fail. Valves comply with ASME Section IV requirements. Ideal for use with hot water boilers and heating systems.

#### FEATURES

- Pressures from 20 to 150 psig
- Brass or bronze body available with optional satin or polished chrome finish
- Maximum temperature service: 250°F
- 10-321 in polished chrome only
- Stainless steel springs
- 10-624/634 are high capacity safety relief valves ideal for OEM applications
- 10-418/417 are ideal for use in swimming pool heater applications
- Registered in all Canadian Provinces and Territories, CRN #0G8547.5C

Series Number	Size (in.)		Certified Pressure Range psig	Height (in.)	Wt./100 (lbs.)	*Certified Capacity			
	Inlet NPT	Outlet NPT				30 psig	40 psig	50 psig	75 psig
10-102	3/4 F	1 F	20-60	3.31	105	710,000	870,000	1,035,000	-
10-104	3/4 M	1 F	20-60	3.75	109	710,000	870,000	1,035,000	-
10-301	3/4 M	3/4 F	20-60	3.75	114	550,000	675,000	805,000	-
10-303	3/4 F	3/4 F	20-60	3.31	115	550,000	675,000	805,000	-
10-321	3/4 M	3/4 F	20-60	3.75	123	425,000	525,000	625,000	-
10-407	3/4 M	3/4 F	30	3.00	62	535,000	-	-	-
10-408	3/4 F	3/4 F	30	2.75	65	535,000	-	-	-
10-417	3/4 M	3/4 F	20-80	3.00	62	477,000	587,000	697,000	972,000
10-418	3/4 F	3/4 F	20-80	2.75	65	477,000	587,000	697,000	972,000

\* National Board Capacity Certified – BTU Per Hour (90% of actual capacity at 10% accumulation). ASME boiler and pressure vessel code – Section IV – Heating Boilers

Series Number	Size (in.)		Certified Pressure Range psig	Height (in.)	Wt./100 (lbs.)	*Certified Capacity				
	Inlet NPT	Outlet NPT				30 psig	75 psig	100 psig	125 psig	150 psig
10-624	3/4 M	3/4 F	30-150	4.62	106	689,000	1,405,000	1,802,000	2,199,000	2,597,000
10-634	3/4 F	3/4 F	30-150	4.62	106	689,000	1,405,000	1,802,000	2,199,000	2,597,000

Note: To order 10-620 series add pressure set point to the end of base number (i.e. 10624150=150 psig).

#### SUFFIX KEY (Excluding 10-624 and 10-634)

Pressure psig	Plain Brass	Satin Chrome	Polished Chrome
20	-02	-41	-67
22	-03	-42	-68
25	-04	-43	-69
30	-05	-44	-70
35	-06	-45	-71
40	-07	-46	-72
43	-08	-47	-73
45	-09	-48	-74
50	-10	-49	-75
55	-11	-50	-76
60	-12	-51	-77

Note: When ordering, specify pressure and finish by adding the two digit suffix after the product number, i.e. 10-102-05: 3/4" FNPT x 1" FNPT at 30 psig with plain brass finish.

# COMMERCIAL PRODUCTS CATALOG

## Safety Valves

### RVS 32 & RVS 52 (10-322, 10-512) SERIES



10-512



10-322

### ASME SECTION VIII STEAM SAFETY VALVES

National Board capacity certified safety valves; brass body with optional satin or polished chrome finish. Protects against excess pressure from thermal expansion and steam caused by failure of BTU input controls. Ideally suited for OEM applications such as steam cookers, autoclaves, sterilizers, coffee makers and similar equipment.

#### FEATURES

- Pressure settings 15 to 60 psig
- Discharge capacities to 725 lbs./hr.
- Stainless steel springs
- 10512 - Silicone soft seat for tight shut-off
- 10322 - EPDM soft seat for tight shut-off
- Registered in all Canadian Provinces and Territories, CRN #0G8547.5C

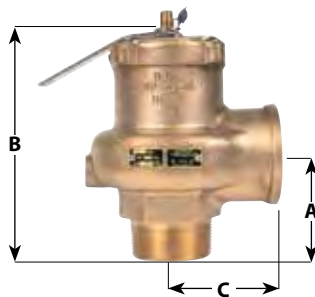
Series Number	Size (in.)		Pressure Range psig	Height	Wt./100 (lbs.)
	Inlet NPT	Outlet NPT			
10-322	3/4 M	3/4 F	20-60	3.75	128
10-512	1/2 M	1/2 F	15-60	2.62	58

#### MODEL NUMBERING SYSTEM

10 - X	-X	-XX	-X
MODEL AND SIZE (IN.)	FINISH	SET PRESSURE	OPTIONS
512 = 1/2 x 1/2	B = Plain Brass	Set Pressure in PSIG (2 Digits)	CE = PED/CE
322 = 3/4 x 3/4	S = Satin Chrome		S = Stainless Steel trim
	P = Polished Chrome		V = Viton® Seat

## ASME Section IV Low Pressure Steam Safety Valves

### RVS 14 (14-200) SERIES



### HIGH CAPACITY LOW PRESSURE STEAM BOILER SAFETY VALVES

National Board capacity certified in accordance with ASME Section IV at 15 psig. For commercial and industrial boilers. Capacities up to 6843 lbs./hr.

#### FEATURES

- EPDM o-ring for positive seal
- One piece body, all bronze construction
- PTFE coated piston
- Chrome plated Bronze body seat
- Optional test gag available for hydrostatic testing (add "G" suffix)
- Registered in all Canadian Provinces and Territories, CRN #0G8547.5C

Series Number	Size (in.)	*Capacity lbs./hr.	Dimensions (in.)			Wt./100 (lbs.)
			A	B	C	
14-205-08	2 x 2	3150	3.00	7.12	3.12	8.4
14-206-08	2-1/2 x 2-1/2	4676	3.50	8.25	3.50	13.0
14-207-08	3 x 3	6843	4.12	9.37	3.87	17.0

\* National Board Capacity Certified at 15 psig. (90% of actual capacity at 33% accumulation.)

Note: When ordering specify pressure by adding the two digit key number after the part number as follows: 5 psig - 03; 6 psig - 04; 8 psig - 05; 10 psig - 06; 12 psig - 07; 15 psig - 08

# SAFETY & RELIEF VALVES

## Hot Water Relief Valves

### RVW 60/61 (10-600) SERIES



### SECTION IV ASME HOT WATER RELIEF VALVES

High-capacity heating valves with female inlet, expanded or standard female outlet. Protects against excessive water pressure due to failure of controls to regulate BTU input. Elevated seat for drainage of water away from seat area. Entire pressure range is National Board capacity certified.

#### FEATURES

- High BTU capacity rating
- Silicone seat
- Fabric reinforced molded diaphragm isolates spring from water at all times
- Bronze body and spring cage
- Maximum temperature service 250°F
- Registered in all Canadian Provinces and Territories, CRN #0G8547.5C

Series Number	Size (in.)		Certified Pressure Range psig	Wt./100 (lbs.)	Dimensions (in.)		
	Inlet NPT	Outlet NPT			A	B	C
10-604	3/4F	3/4F	15-160	232	1.03	5.25	1.62
10-605	1F	1F	15-160	410	1.25	6.69	2.00
10-606	1-1/4F	1-1/4F	15-160	795	1.25	8.37	2.47
10-607	1-1/2F	1-1/2F	15-160	1100	2.00	10.75	2.75
10-608	2F	2F	15-160	2375	2.19	14.00	3.69
10-614	3/4F	1 F	15-160	226	1.03	5.25	1.72
10-615	1 F	1-1/4F	15-160	390	1.25	6.69	2.00
10-616	1-1/4F	1-1/2F	15-160	755	1.25	8.37	2.47
10-617	1-1/2F	2F	15-160	1145	2.00	10.75	2.75
10-618	2F	2-1/2F	15-160	2315	2.19	14.00	3.66

Use Suffix No. to designate last two digits of Product No. for desired pressure. Other pressure settings available upon request.

**BTU/HR at 10% over-pressure. National Board Certified. Ratings are 90% of actual at 10% accumulation.**

Pressure psig	Suffix Number	3/4 x 3/4 10-604	1 x 1 10-605	1-1/4 x 1-1/4 10-606	1-1/2 x 1-1/2 10-607	2 x 2 10-608
30	-05	827,000	1,339,000	2,316,000	3,151,000	5,193,000
50	-10	1,209,000	1,956,000	3,384,000	4,604,000	7,589,000
60	-12	1,399,000	2,265,000	3,918,000	5,331,000	8,786,000
75	-15	1,686,000	2,728,000	4,720,000	6,421,000	10,583,000
100	-20	2,162,000	3,500,000	6,055,000	8,238,000	13,577,000
125	-25	2,639,000	4,272,000	7,390,000	10,054,000	16,571,000
150	-34	3,116,000	5,044,000	8,725,000	11,871,000	19,565,000

Pressure psig	Suffix Number	3/4 x 1 10-614	1 x 1-1/4 10-615	1-1/4 x 1-1/2 10-616	1-1/2 x 2 10-617	2 x 2-1/2 10-618
30	-05	970,000	1,570,000	2,716,000	3,696,000	6,091,000
50	-10	1,418,000	2,295,000	3,969,000	5,400,000	8,900,000
60	-12	1,641,000	2,657,000	4,596,000	6,252,000	10,305,000
75	-15	1,977,000	3,200,000	5,535,000	7,531,000	12,412,000
100	-20	2,536,000	4,105,000	7,101,000	9,661,000	15,924,000
125	-25	3,096,000	5,011,000	8,668,000	11,792,000	19,435,000
150	-34	3,655,000	5,916,000	10,234,000	13,923,000	22,947,000

Other pressure settings available upon request.



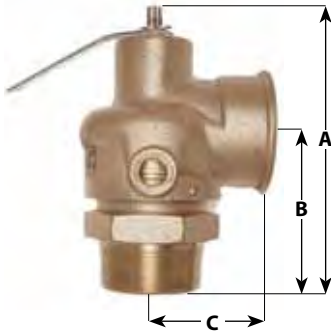
See Safety & Relief Valve Catalog (SRCA9000) for more detailed information about the products in this section.

Customer Service (704) 841-6000

# COMMERCIAL PRODUCTS CATALOG

## Low Pressure Steam Safety Valves

### RVS 12 (12-200) SERIES



#### ASME SECTION IV

#### LOW PRESSURE STEAM HEATING BOILER SAFETY VALVES

Use on commercial steam heating boilers. National Board capacity certified at 15 psig.

#### FEATURES

- TFE coated EPDM seal
- All bronze construction
- 3/8" NPT side tapping for drain
- Top guided seat alignment
- Registered in all Canadian Provinces and Territories, CRN #0G8547.5C

Series Number	Size (in.)		Max. Pressure psig	Capacity* lbs./hr.	Wt./100 (lbs.)	Dimensions (in.)		
	Inlet NPT	Outlet NPT				A	B	C
12-205	2	2	15	2500	514	6.00	3.75	2.62
12-206	2-1/2	2-1/2	15	3529	835	8.50	5.25	3.06
12-208	3	3	15	4100	1162	9.50	6.00	3.75

Note: When ordering specify pressure by adding the two digit key number after the product number as follows: 5 psig - 03; 6 psig - 04; 8 psig - 05; 10 psig - 06; 12 psig - 07; 15 psig - 08

\* National Board Capacity Certified-(15 psi rating, 90% of actual capacity at 33% accumulation.)

## Low Pressure Steam Safety Valves

### RVS 13 (13) SERIES



13-101



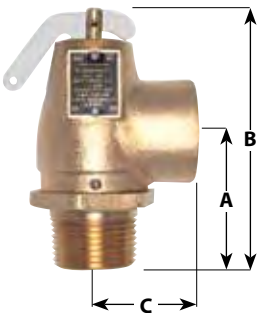
#### ASME SECTION IV

#### LOW PRESSURE STEAM HEATING BOILER SAFETY VALVES

National Board capacity certified at 15 psig in accordance with ASME Section IV; positive drainage of condensate from seat area.

#### FEATURES

- Flat seat, EPDM disc for positive seal
- Standard set pressure of 15 psig, capacities apply to valves set at 15 psig
- No. 13-101 is top outlet discharge
- Registered in all Canadian Provinces and Territories, CRN #0G8547.5C
- Rough Chrome option
- Non-code air service option (-A suffix)



13-200

Series Number	Size (in.)		Pressure psig	Max. Capacity* lbs./hr.	Wt./100 (lbs.)	Dimensions (in.)		
	Inlet NPT	Outlet NPT				A	B	C
13-101-B15	3/4 M	Top	15	410	64	2.87	0.94	1.250
13-211-B15	3/4 M	3/4 F	15	475	107	1.81	3.69	1.437
13-202-B15	1 M	1 F	15	643	110	2.06	3.87	1.218
13-213-B15	1-1/4 M	1-1/2 F	15	1200	218	2.53	4.50	1.875
13-214-B15	1-1/2 M	2 F	15	1900	320	3.00	5.25	2.187
13-511-B15	3/4 M	3/4 F	15	407	62	1.69	3.25	1.187
13-512-B15	3/4 F	3/4 F	15	407	59	1.81	2.75	1.187

\* National Board Capacity Certified at 15 psig (90% of actual capacity at 33% accumulation.)

Notes: 1) Pressure settings available: 5 to 15 psig in 1 psig increments

2) Per ASME Code Section IV only 15 psi settings are "HV" and "NB" stamped

#### PART NUMBERING SYSTEM

13 -	XXX	-X	-XX	-X
SERIES	FINISH	SET PRESSURE	OPTIONS	
101 =	3/4" M x Top	B = Plain Brass	Set Pressure in PSIG	A = Air Service (Non-ASME)
211 =	3/4" M x 3/4" F	S = Satin Chrome*	(2 Digits)	
202 =	1" M x 1" F			
213 =	1-1/4" M x 1-1/2" F			
214 =	1-1/2" M x 2" F			
511 =	3/4" M x 3/4" F			
512 =	3/4" F x 3/4" F			

\* Available on select models only

www.apollovalves.com

Customer Service (704) 841-6000

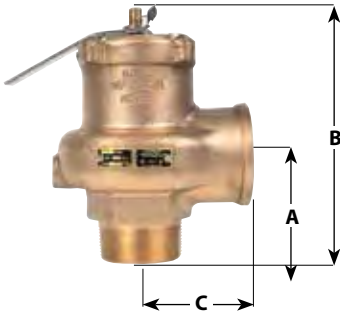




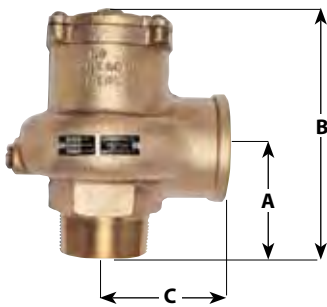
# SAFETY & RELIEF VALVES

## Relief Valves

### RVA 14 (14-400/500) SERIES



**14-400  
W/LIFT LEVER**



**14-500  
PLAIN CAP**

### NON-CODE AIR RELIEF VALVES

High volume air relief valves designed for non-ASME code low pressure air and gas service. Rugged bronze construction features elastomer soft seating and TFE coated discs. Standard test lever for model 14-400 and optional plain cap, weather resistant sealed body for model 14-500.

#### FEATURES

- Vibration resistant soft seat standard
- Stainless steel spring
- One piece unified bronze body design
- High flow "top-guided" design
- Inlet sizes 2", 2-1/2", and 3"
- Set pressures 4 to 22 psig @ 400°F max
- Compact end to end dimension

Series Number	Size (in./mm.)	Dimensions (in./mm.)			Wt./Ea. (lbs./kg.)
		A	B	C	
14-X05	2 x 2	3	6-1/2	3-1/8	8.4
	50M x 50F	76	165	79	3.81
14-X06	2-1/2 x 2-1/2	3-1/2	7-5/8	3-1/2	12.5
	65M x 65F	89	194	89	5.7
14-X07	3 x 3	4-1/8	8-3/4	3-7/8	17.0
	80M x 80F	105	222	98	7.7

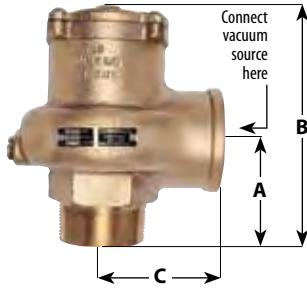
### PART NUMBERING SYSTEM

14	-X	-XX	-X
SERIES NUMBER	BODY/CAP STYLE AND SERVICE	INLET CONNECTION	RELIEF PRESSURE
14 = Base Model No.	4 = Air Relief, with Test Lever 5 = Air Relief, Plain Cap	05 = 2" NPT 06 = 2 1/2" NPT 07 = 3" NPT	Set Pressure in PSIG (2 Digits)

# COMMERCIAL PRODUCTS CATALOG

## Vacuum Relief Valves

### RVV 14 (14-600) SERIES



14-600

### VACUUM RELIEF VALVES

High flow vacuum relief valves feature one piece cast bronze bodies, teflon coated discs and elastomer soft seating provide accurate and dependable operation. Ideal for use with high volume vacuum systems, bulk hauling tanks and trailers, powdered solids/bulk handling and pneumatic conveying equipment.

#### FEATURES

- Weather resistant construction
- Elastomer soft seat is vibration resistant
- Stainless steel spring
- One piece unified bronze body design
- High capacity "top-guided" design
- TFE/chrome plated internals
- Connection sizes 2", 2-1/2", and 3"
- Relief settings 8" to 30" Hg @ 400°F max

Series Number	Size (in./mm.)	Dimensions (in./mm.)			Wt./Ea. (lbs./kg.)
		A	B	C	
14-605	2 x 2	3	6-1/2	3-1/8	8.4
	50M x 50F	76	165	79	3.81
14-606	2-1/2 x 2-1/2	3-1/2	7-5/8	3-1/2	11.8
	65M x 65F	89	194	89	5.4
14-607	3 x 3	4-1/8	8-3/4	3-7/8	16.3
	80M x 80F	105	222	98	7.4

### SERIES NUMBERING SYSTEM

14	-6	-OX	-VXX
SERIES NUMBER	BODY/CAP STYLE AND SERVICE	INLET CONNECTION	RELIEF PRESSURE
14 = Base Model No.	6 = Vacuum Relief	05 = 2" NPT 06 = 2 1/2" NPT 07 = 3" NPT	XX = Inches of Mercury

# SAFETY & RELIEF VALVES

## Safety Valve

### RVA 15 (15-100) SERIES



### ASME SECTION VIII SAFETY VALVES

ASME Air Relief Valves

#### FEATURES

- National Board Certified 15 psig through 250 psig
- Stainless steel springs
- High performance molded seat design Sizes 1/4" to 1/2"
- Viton o-ring seat, 3/4" & 1" only
- Registered in all Canadian Provinces and Territories: CRN #0G8547.5C
- Maximum temp. 325°F
- ASTM B16 brass body
- Optional dual ASME/European Pressure Equipment Directive Compliance
- Manufactured in USA

**National Board Certified capacities for air and gas service in air compressors, air receivers and gas lines**

Series Number	Inlet Size (in.)	Dimensions (in.)		Wt./100 (lbs.)
		A	B	
15-112	1/4 NPT	2.625	.78	18.5
15-115	3/8 NPT	3.250	1.125	42.2
15-117	1/2 NPT	3.375	1.125	45.3
15-118	3/4 NPT	4.062	1.218	58.0
15-119	1 NPT	5.125	1.875	153.0

Set Pressure psig*	Capacities in SCFM @ 10% Accumulation			
	15-112 1/4"	15-115 & 117 3/8" or 1/2"	15-118 3/4"	15-119 1"
15	24	60	107	222
30	35	88	156	323
50	51	128	229	473
75	72	179	319	659
100	92	230	409	845
125	112	281	499	1032
150	133	332	589	1218
165	145	363	644	1330
175	153	383	680	1405
200	173	432	770	1591
225	194	484	860	1778
250	214	535	950	1964

\* Other set pressures available upon request.

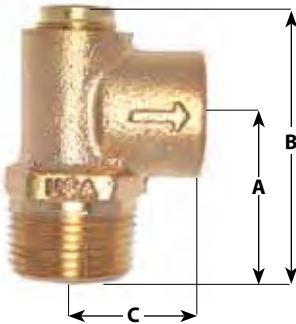
#### SERIES NUMBERING SYSTEM

15-XXX	-X	-XXX	-XX
SIZE (IN.)	FINISH	SET PRESSURE	OPTIONS
112 = 1/4 NPT 115 = 3/8 NPT 117 = 1/2 NPT 118 = 3/4 NPT 119 = 1 NPT	B = Plain Brass	Set Pressure in PSIG (15-250 psig)	CE = PED/CE Q = Performance (Calibration) Test Reports

# COMMERCIAL PRODUCTS CATALOG

## Pressure Relief Valves

### RVW 16 (16-200) SERIES



16-200

### PRESSURE RELIEF VALVES

Pressure relief valves relieve excess pressure in cold water supply systems, storage tanks, and well pumps. Also suitable for air, oil, and other non-hazardous liquids.

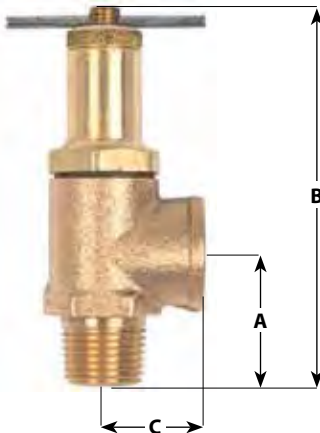
#### FEATURES

- Cast bronze body, stainless steel springs
- Standard pressure settings from 50 to 175 psig
- All valves are 100% factory tested
- Silicone soft seat ensures seat tightness, extended service life
- Maximum recommended service temperature 120°F

Series Number	Inlet Size (in.)	Dimensions (in.)			Wt./100 (lbs.)
		A	B	C	
16-202	1/2 M x 1/2 F	1.41	2.12	1.00	33.0
16-203	3/4 M x 1/2 F	1.41	2.50	1.00	37.5

Note: When ordering, specify pressure by adding the two digit suffix after the product number, i.e.: 50 psig: -01; 75 psig: -02; 100 psig: -03; 125 psig: -04; 150 psig: -05; 175 psig: -06

### RVW 16A (16-500) SERIES



### BY-PASS RELIEF VALVES

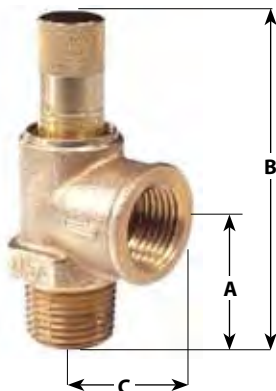
Adjustable relief valves protect equipment by providing low volume liquid relief or bypass control. Excess volume may be discharged back to the low pressure source. Ideal for agricultural sprayers and simple commercial or industrial pressurized systems.

#### FEATURES

- Adjustable relief settings, in two ranges to 600 psi
- Cast bronze body, stainless steel springs
- Choice of Nitrile (Buna) or PTFE soft seats
- Knurled locknut locks pressure adjustment
- Viton stem seal, polypropylene body gasket
- Maximum recommended service temperature 120°F

Series Number	Size (in.)	Relief Range	Seat Material	Wt./100 (lbs.)
16-501-01	1/2 M x 1/2 F	50 - 250	Nitrile	0.62
16-501-02	1/2 M x 1/2 F	250 - 600	Nitrile	0.62
16-501-25	1/2 M x 1/2 F	50 - 250	PTFE	0.62
16-501-60	1/2 M x 1/2 F	250 - 600	PTFE	0.62

### 16-503 & 16-504 SERIES



### CALIBRATED PRESSURE RELIEF VALVES

Allows for in-line pressure adjustments without the need for a pressure gauge. Provides static overpressure protection for liquid filled systems such as well pumps, tanks, and fire protection systems.

#### FEATURES

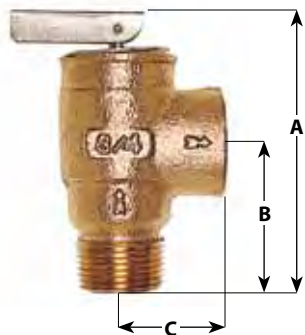
- 1/2" or 3/4" inlet connection
- Factory preset at 100 psi
- Pressure range 50 to 175 psi, calibrated in 25 psi increments
- Cast bronze body, SS springs
- Silicone soft seat, EPDM cap seal
- Maximum service temp: 200°F

Series Number	Size (in.)	Dimensions (in.)			Wt./100 (lbs.)
		A	B	C	
16-503-01	1/2 M x 1/2 F	1.31	3.44	1.00	37
16-504-01	3/4 M x 1/2 F	1.31	3.44	1.00	37

# SAFETY & RELIEF VALVES

## Hot Water Relief Valves

### RVW 17 (17-400) SERIES



17-400



### PRESSURE RELIEF VALVES

Prevents excessive thermal expansion buildup in plumbing systems, tank applications and tankless water heaters. Conforms to HUD/FHA requirements: ideal for well systems.

#### FEATURES

- Bronze body, stainless steel spring
- CSA certified design to ANSI Z21.22 "Relief Valves for Hot Water Supply Systems"
- ASME capacity certified from 75 to 150 psig\*
- CRN #OG8547.5C Registered in all Canadian Provinces and Territories

Series Number	Size (in.)		CSA Capacity Rating BTU/Hr.	Wt./100 (lbs.)	*ASME Certified Discharge Capacities			
	Inlet NPT	Outlet NPT			75 BTU/Hr.	100 BTU/Hr.	125 BTU/Hr.	150 BTU/Hr.
17-401	1/2 M	1/2 F	15,000	57	-	-	-	-
17-402	3/4 M	3/4 F	200,000	53	505,000	648,000	791,000	934,000

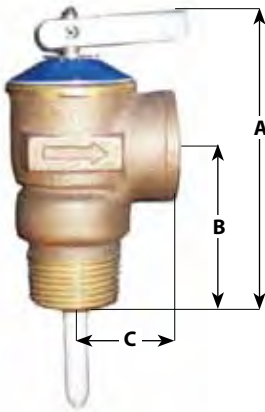
Note: When ordering specify pressure by adding the two digit key number after the product number as follows: 75 psig - 01; 100 psig - 02; 125 psig - 03; 150 psig - 04; 160 psig - 05

\* 3/4 model only: National Board Capacity Certified - BTU per hour (90% of actual capacity at 10% accumulation) ASME boiler and pressure vessel code - Section IV - Heating Boilers

# COMMERCIAL PRODUCTS CATALOG

## Temperature & Pressure Relief Valves

### TP (18C-400) SERIES



18C-400



### WATER HEATER T&P RELIEF VALVES

Feature unique non-metallic coating which protects the element against galvanic and electromechanical corrosion by isolating it from the heated water. This coating is electrostatically applied for uniform coverage, then thermobonded, resulting in optimum adhesion for extended service life. CSA design certified at all settings to ANSI Z21.22. ASME Section IV rated at 125 psig and 150 psig settings for 3/4" NPT only.

#### FEATURES

- Meets HUD/FHA requirements
- Cast bronze body, SS spring
- Rated 210°F maximum
- CRN #OG0053.6C Registered in all Canadian Provinces and Territories
- ASME capacity certified for 3/4" NPT only

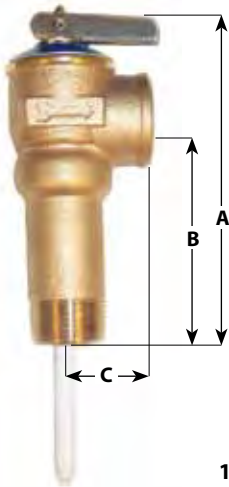
Series Number	Size (in.)	Element Length (in.)	CSA Capacity Rating BTU/Hr.	Wt./100 (lbs.)
18C-401	1/2 M x 1/2 F	1.44	15,000	48.0
18C-401	1/2 M x 1/2 F	3.00	15,000	54.0
18C-402	3/4 M x 3/4 F	1.44	95,000	52.0
18C-402	3/4 M x 3/4 F	3.00	105,000	58.0
18C-402	3/4 M x 3/4 F	8.00	105,000	62.0

#### SUFFIX KEY

Pressure psig	Coated Element Length		
	1.44"	3"	8"
125	-27	-29	-36
150	-28	-30	-37
175	-	-24	-

## Temperature & Pressure Relief Valves

### TPX (18C-402X) SERIES



18C-402X  
EXTENDED SHANK



### EXTENDED SHANK WATER HEATER T&P RELIEF VALVES

Relief valves with an extended body length (2") for protection of water heaters with extra insulation. Unique non-metallic coating protects thermal element against galvanic and electromechanical corrosion. CSA design certified at all settings to ANSI Z21.22. ASME Section IV rated at 125 psig and 150 psig settings.

#### FEATURES

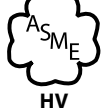
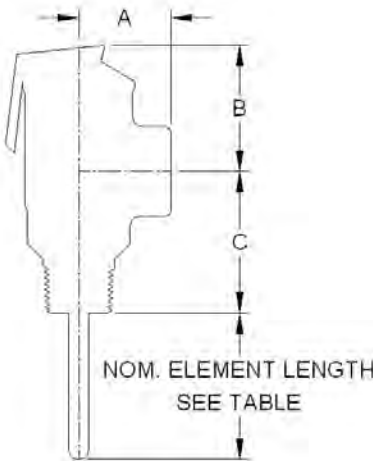
- Meets HUD/FHA requirements
- Cast bronze body, SS spring
- Rated 210°F maximum
- CRN #OG0053.6C Registered in all Canadian Provinces and Territories
- ASME capacity certified

Series Number	Size (in.)	Element Length (in.)	Pressure psig	CSA Capacity Rating BTU/Hr.	Wt./100 (lbs.)
18C-402X-39	3/4 M x 3/4 F	3	64.0	125	105,000
18C-402X-38	3/4 M x 3/4 F	3	64.0	150	105,000

# SAFETY & RELIEF VALVES

## Temperature & Pressure Relief Valves

### TPC (18C-500) SERIES



### HIGH CAPACITY COMMERCIAL T&P VALVES

The Apollo 18C-500 Series bronze automatic temperature and pressure relief valves are used for protection of high capacity commercial hot water heaters and storage tanks.

#### FEATURES

- 3/4" through 2" NPT connections
- ASME Section IV certified capacity
- CSA listed and Certified to ANSI Z21.22
- 125 and 150 psig set pressures at 210°F max
- Coated element protects against corrosion
- SS elements (1-1/2" and 2")
- Canadian Registration Number CRN-0G1438.6C

Series Number	Size (in.)	Element Length (in.)	Inlet Type	CSA Capacity Rating Btu/HR	*ASME Cap. Rating BTU/HR
18C5113125	3/4"	2.69"	M	185,000	1,619,000
18C5113150	3/4"	2.69"	M	185,000	1,912,000
18C5115125	3/4"	4.38"	M	205,000	1,619,000
18C5115150	3/4"	4.38"	M	205,000	1,912,000
18C5118125	3/4"	7.56"	M	205,000	1,619,000
18C5118150	3/4"	7.56"	M	205,000	1,912,000
18C5123125	3/4"	2.88"	F	185,000	1,619,000
18C5123150	3/4"	2.88"	F	185,000	1,912,000
18C5125125	3/4"	4.56"	F	205,000	1,619,000
18C5125150	3/4"	4.56"	F	205,000	1,912,000
18C5128125	3/4"	7.75"	F	205,000	1,619,000
18C5128150	3/4"	7.75"	F	205,000	1,912,000
18C5213125	1"	3.06"	M	500,000	1,825,000
18C5213150	1"	3.06"	M	500,000	2,155,000
18C5215125	1"	4.75"	M	500,000	1,825,000
18C5215150	1"	4.75"	M	500,000	2,155,000
18C5225125	1"	4.75"	F	750,000	3,070,000
18C5225150	1"	4.75"	F	750,000	3,625,000
18CLF5225150	1"	4.75"	F	750,000	3,625,000
18C5228125	1"	8.13"	F	750,000	3,070,000
18C5228150	1"	8.13"	F	750,000	3,625,000
18C5314125	1-1/4" x 1"	3.97"	M	750,000	3,070,000
18C5314150	1-1/4" x 1"	3.97"	M	750,000	3,625,000
18C5424125	1-1/2"	4.13"	F	1,200,000	5,125,000
18C5424150	1-1/2"	4.13"	F	1,200,000	6,050,000
18C5513125	2" x 1-1/2"	3.25"	M	1,200,000	5,125,000
18C5513150	2" x 1-1/2"	3.25"	M	1,200,000	6,050,000



Series Number	Inlet Size (in./mm.)	Dimensions (in./mm.)		
		A	B	C
18C511	3/4" M x 3/4" FNPT	1.50	3.47	2.53
	(20)	(40)	(88)	(64)
18C512	3/4" F x 3/4" FNPT	1.50	3.47	2.35
	(20)	(40)	(88)	(60)
18C521	1" M x 1" FNPT	1.56	3.47	2.38
	(25)	(40)	(88)	(60)
18C522	1" F x 1" FNPT	1.56	3.47	2.13
	(25)	(40)	(88)	(54)
18C531	1-1/4" M x 1" FNPT	1.75	4.34	1.91
	(32)	(44)	(110)	(49)
18C542	1-1/2" M x 1-1/2" FNPT	2.47	5.84	1.71
	(40)	(63)	(148)	(43)
18C551	2" M x 1-1/2" FNPT	2.47	5.84	2.59
	(50)	(63)	(148)	(66)

\* National Board certified capacity per ASME Section IV-Heating Boilers



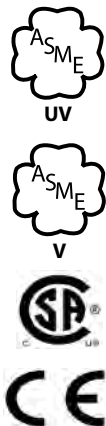
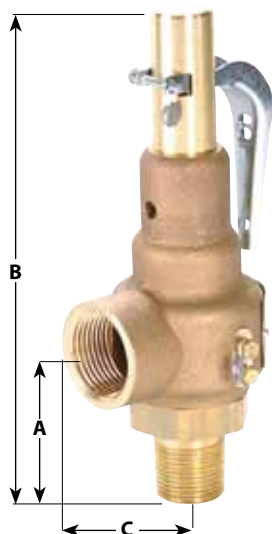
See Safety & Relief Valve Catalog (SRCA9000) for more detailed information about the products in this section.

Customer Service (704) 841-6000

# COMMERCIAL PRODUCTS CATALOG

## ASME Section I & VIII Safety Valves

### 19 SERIES



### BRONZE SAFETY VALVES FOR STEAM, AIR & GAS SERVICE

National Board capacity certified, high capacity, ideal for use with steam boilers, sterilizers, pressure vessels, compressors, and pressure piping systems.

#### FEATURES

- Pressures: 15 through 300 psig steam, air, gas
- Max. temp. 406°F with stainless steel trim
- 13 Sizes, 1/2" through 2-1/2" NPT
- Stainless steel springs
- Optional 316 stainless steel wetted trim (Specify 19L or 19S Series)
- Available in metal and soft seat designs
- Metal to metal seat lapped to optical flatness (19M)
- PFA Teflon® soft seat easily replaced (19K)
- Double ring, full bore, high capacity design
- Tapped body drain facilitates piping of condensate away from equipment
- Registered in all Canadian Provinces and Territories, CRN #0G8547.5C
- Wide wrenching hex for easier, faster installations
- Dual ASME/CE European Pressure Equipment Directive Compliant option

Series Number	Orifice Designation	Inlet Size (in.)	Dimensions (in.)			Wt./100 (lbs.)
			A	B	C	
19KDC	D	1/2 x 3/4	2.21	6.52	1.37	1.6
19KDD	D	3/4 x 3/4	2.21	6.52	1.37	1.6
19KED	E	3/4 x 1	2.50	7.16	1.75	2.0
19KEE	E	1 x 1	2.64	7.30	1.75	2.2
19KFE	F	1 x 1-1/4	2.95	9.34	2.00	4.1
19KFF	F	1-1/4 x 1-1/4	2.95	9.34	2.00	4.3
19KGF	G	1-1/4 x 1-1/2	3.38	11.01	2.37	7.4
19KGG	G	1-1/2 x 1-1/2	3.38	11.01	2.37	7.6
19KHG	H	1-1/2 x 2	3.63	11.96	2.75	11.5
19KHH	H	2 x 2	3.63	11.96	2.75	11.6
19KJG	J	1-1/2 F X 2-1/2	3.80	14.00	3.50	20.0
19KJH	J	2 x 2-1/2	4.06	14.25	3.50	19.9
19KJJ	J	2-1/2 x 2-1/2	4.50	14.68	3.50	20.8

### CERTIFIED CAPACITIES

Set Pressure psig	Orifice					
	D	E	F	G	H	J
15	174	310	484	794	1,240	2,035
25	229	408	637	1,045	1,631	2,677
40	311	555	866	1,421	2,217	3,641
50	366	653	1,019	1,672	2,608	4,283
100	646	1,152	1,798	2,950	4,602	7,557
125	787	1,404	2,191	3,595	5,609	9,210
150	929	1,656	2,585	4,240	6,616	10,864
165	1,014	1,807	2,821	4,628	7,220	11,856
200	1,211	2,160	3,371	5,531	8,630	14,170
250	1,494	2,664	4,158	6,822	10,644	17,477
300*	1,777	3,168	4,945	8,112	12,658	20,784
Approx 1 psi increments	5.7	10.1	15.7	25.8	40.3	66.1

#### ASME Section I Steam

Power Boiler - "V" steam lbs./hr. steam @ 3% accumulation

\*Specify Model 19S with stainless steel wetted trim for steam settings beyond 250 psig.



# SAFETY & RELIEF VALVES

## ASME Section I & VIII Safety Valves

### 19 SERIES (CONT.)

### BRONZE SAFETY VALVES FOR STEAM, AIR & GAS SERVICE

#### ASME Section VIII Steam

Unfired Pressure Vessels - "UV" steam lbs./hr.  
@ 10% accumulation

*\*Specify Model 19S with stainless steel wetted trim  
for steam settings beyond 250 psig.*

#### CERTIFIED CAPACITIES

Set Pressure psig	Orifice					
	D	E	F	G	H	J
15	179	320	499	819	1,278	2,099
25	234	417	652	1,070	1,669	2,741
40	322	574	896	1,471	2,295	3,768
50	382	682	1,064	1,746	2,725	4,474
100	684	1,220	1,904	3,124	4,875	8,005
125	835	1,489	2,324	3,813	5,950	9,770
150	985	1,758	2,744	4,502	7,025	11,535
165	1,076	1,920	2,996	4,916	7,670	12,594
200	1,287	2,296	3,584	5,881	9,175	15,066
250	1,590	2,834	4,424	7,259	11,325	18,596
300*	1,892	3,373	5,265	8,639	13,479	22,132
Approx 1 psi increments	6.0	10.8	16.8	27.6	43.0	70.6

#### CERTIFIED CAPACITIES

Set Pressure psig	Orifice					
	D	E	F	G	H	J
15	64	114	178	292	455	747
25	83	149	232	381	594	976
40	115	204	319	524	817	1,342
50	136	243	379	622	970	1,593
100	244	434	678	1,112	1,736	2,849
125	297	530	828	1,358	2,118	3,478
150	351	626	977	1,603	2,501	4,106
165	383	683	1,067	1,750	2,731	4,484
200	459	818	1,276	2,094	3,267	5,364
250	566	1,009	1,575	2,584	4,032	6,621
300	673	1,201	1,874	3,075	4,798	7,878
Approx 1 psi increments	2.2	3.8	6.0	9.8	15.3	25.1

#### ASME Section VIII Air

Unfired Pressure Vessels - "UV" air SCFM @  
10% accumulation

#### 19 SERIES NUMBERING SYSTEM

19M	D	C	K	165	A
BASE MODEL NUMBER	ORIFICE LETTER	INLET SIZE (IN.) NPT	ASME CODE AND SERVICE	SET PRESSURE IN PSI	SPECIAL OPTIONS
19K = Brass Trim/Teflon Seat	D	C = 1/2	A = Sect. I Steam		A = Anti-vibration trim
19M = Brass Trim/Metal Seat	E	D = 3/4	K = Sect. VIII Air		CE = CE/PED Compliant
19L = Stainless Trim/Teflon Seat	F	E = 1	L = Sect. VIII Steam		Q = Performance (Calibration) test report
19S = Stainless Trim/Metal Seat	G	F = 1-1/4	N = Non-Code Air		X = Oxygen cleaning
	H	G = 1-1/2	P = Non-Code Steam		* Other suffixes - factory issued
	J	H = 2			
		J = 2-1/2			



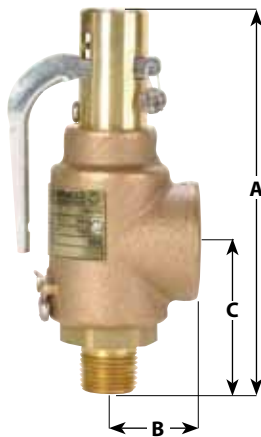
See Safety & Relief Valve Catalog (SRCA9000) for more detailed information about the products in this section.

Customer Service (704) 841-6000

# COMMERCIAL PRODUCTS CATALOG

## ASME Section I & VIII Safety Valves

### 29 SERIES



**OEM STYLE BRONZE SAFETY VALVES FOR STEAM, AIR & NON-HAZARDOUS GAS**  
Ideally suited for OEM applications where compact size, dependable performance and maximum economy are required. These rugged safety valves feature a top guided design and patented Teflon® "soft-seat" for dramatically reduced seat leakage. Flow ratings are National Board certified.

#### FEATURES

- Stainless steel springs are standard
- PFA Teflon® seat resists corrosive boiler chemicals
- Pressure settings from 30 to 200 psig
- Rust proofed steel stem and spring washers
- Lower control ring ensures short, consistent blowdown
- Tapped body drain allows piping of condensate away from equipment
- Reduced repair costs; soft seat easily replaced
- Registered in All Canadian Provinces under CSA B51 CRN #0G8547.5C
- Optional European Pressure Equipment Directive Compliance

Series Number	Size (in.)		Dimensions (in.)			Wt./100 (lbs.)
	Inlet	Outlet	A	B	C	
29-102	3/8	1	5.41	1.25	2.12	1.30
29-202	1/2	1	5.41	1.25	2.12	1.33
29-302	3/4	1	5.41	1.25	2.12	1.90
29-303	3/4	1-1/4	7.25	1.69	2.75	3.43
29-402	1	1-1/4	7.25	1.69	2.75	3.43
29-501	1-1/4	1-1/4	7.25	1.69	2.75	3.48

#### ASME Section I Steam

Power Boiler "V" steam lbs./hr.  
@ 3% accumulation

Set Pressure psig	29-102 29-202 29-302	29-303 29-402 29-501
50	238	479
75	331	664
100	423	851
125	516	1,036
150	608	1,223
200	794	1,596
Approx 1 psi increments	3.7	7.4

#### ASME Section VIII Steam

Unfired pressure vessels - "UV"  
steam lbs./hr. @ 10% accumulation

Set Pressure psig	29-102 29-202 29-302	29-303 29-402 29-501
50	251	504
75	350	704
100	448	902
125	547	1,102
150	646	1,299
200	844	1,697
Approx 1 psi increments	3.9	8.0

#### ASME Section VIII Air

Unfired pressure vessels - "UV" air  
SCFM @ 10% accumulation

Set Pressure psig	29-102 29-202 29-302	29-303 29-402 29-501
50	89	180
75	124	250
100	159	321
125	194	391
150	230	463
200	300	604
Approx 1 psi increments	1.4	2.8

### 29 SERIES NUMBERING SYSTEM

29	202	A	100	S
BASE MODEL NUMBER	INLET x OUTLET NPT	SERVICE	SET PRESSURE	OPTIONS
Bronze with Brass Trim and Teflon® Soft Seat	102 = 3/8 x 1 202 = 1/2 x 1 302 = 3/4 x 1 303 = 3/4 x 1-1/4 402 = 1 x 1-1/4 501 = 1-1/4 x 1-1/4	A = ASME Sec I Steam K = ASME Sec VIII Air L = ASME Sec VIII Steam	Set Pressure, PSIG (range 30-200 psig)	S = Stainless Steel Wetted Trim (models 29-202 & 29-303 only) CE = CE/PED Q = Performance (Calibration) test reports

# SAFETY & RELIEF VALVES

## ASME Section I & VIII Safety Valves

### 119 SERIES

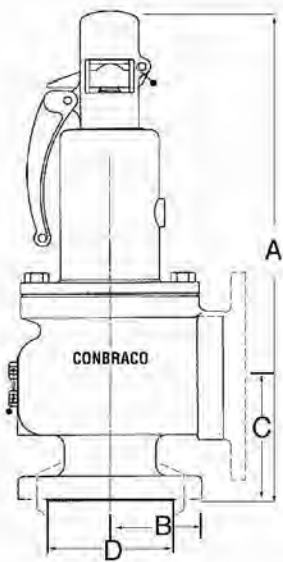


### CAST IRON SAFETY VALVE

High capacity safety valves ideal for use with all types of boilers, pressure vessels and pressure piping systems. Their top-guided design includes two control rings that ensure seat tightness. Direct replacement for most competitive models.

#### FEATURES

- Set pressures to 250 psig @ 450°F max
- Flanged inlet sizes: 1-1/2" through 6" ANSI 250 lb; some sizes available in female NPT
- National Board Certified ASME flow ratings
- 316 stainless steel wetted trim (disc and nozzle) is standard
- Metal to metal seating, lapped to optical flatness
- Semi-nozzle design available in eight orifice sizes
- Rust proof steel stem, spring and spring washers
- Drip pan elbows are available (see page 88)
- Registered in all Canadian Provinces Under CSA B51, CRN #0G8547.5C
- Optional dual ASME/European Pressure Equipment Directive Compliance



Series Number	Valve Size (in.)	Orifice Letter	Orifice Area (sq. in.)	Dimensions (in.)				Wt./ (lbs.) APP
				A	B	C	Hex D	
119 JGC	1-1/2 250# x 2 1/2 FNPT	J	1.36	15.00	4.00	4.31		35
119 KHC	2 250# x 3 FNPT	K	1.93	16.00	4.00	4.62		36
119 KHA	2 FNPT x 3 FNPT	K	1.93	16.00	4.00	4.62	3-3/4	37
119 KJC	2-1/2 250# x 3 FNPT	K	1.93	16.00	4.00	4.62		41
119 KKC	3 250# x 3 FNPT	K	1.93	16.00	4.00	4.63		45
119 LJC	2-1/2 250# x 4 FNPT	L	2.99	22.00	5.12	5.62		84
119 LJA	2-1/2 FNPT x 4 FNPT	L	2.99	22.00	5.12	5.62	5-3/8	81
119 LKC	3 250# x 4 FNPT	L	2.99	22.00	5.12	5.62		85
119 LMC	4 250# x 4 FNPT	L	2.99	22.00	5.13	5.63		90
119 MKA	3 FNPT x 4 FNPT	M	3.77	22.00	5.12	5.62	5-3/8	80
119 MKC	3 250# x 4 FNPT	M	3.77	22.00	5.12	5.62		87
119 MMC	4 250# x 4 FNPT	M	3.77	22.00	5.13	5.63		95
119 NMD	4 250# x 6 125#	N	4.55	28.00	7.25	6.75		210
119 PMD	4 250# x 6 125#	P	6.69	28.00	7.25	6.75		215
119 QPD	6 250# x 8 125#	Q	11.59	42.00	10.00	9.25		530
119 RPD	6 250# x 8 125#	R	16.79	42.00	10.00	9.25		530

#### Information required for ordering 119 series valves:

1. Determine the orifice letter that corresponds to your required flow rate from the following capacity charts.
2. Select the inlet x outlet connection options from the list of models available for that orifice (above).
3. Specify base model number, set pressure, ASME Code section and service.

For Further information request catalog SRCA9000

### 119 SERIES NUMBERING SYSTEM

119	K	H	C	A	MAA	0150	Q
SERIES NUMBER	ORIFICE LETTER	INLET (IN.)	CONNECTION	SERVICE	SPECIAL OPTIONS	SET PRESSURE	SUFFIX
119 = Stainless Steel Wetted Trim	The orifice letter from the Capacity Chart (pg. 84)	G = 1-1/2 H = 2 J = 2-1/2 K = 3 M = 4 P = 6	A = FNPT x FNPT C = 250# x FNPT D = 250# x 125#	A = Sec I Steam K = Sec VIII Air L = Sec VIII Steam N = Non Code Air P = Non Code Steam	Factory issued letters/numbers (MAA default) MCE = CE/PED	Set Pressure, PSIG (4 digits)	Q = Performance (Calibration) test reports

See Safety & Relief Valve Catalog (SRCA9000) for more detailed information about the products in this section.



Customer Service (704) 841-6000

# COMMERCIAL PRODUCTS CATALOG

## ASME Section I & VIII Safety Valves

### 119 SERIES (CONT.)

### ASME SECTION I

Steam Boilers - Pounds of saturated steam per hour @ 3% or 2 psig accumulation, whichever is greater.

### ASME SECTION VIII

Pressure Vessels - Pounds of saturated steam per hour @ 10% or 3 psig accumulation, whichever is greater.

### ASME SECTION VIII

Pressure Vessels - Standard cubic feet of air per minute @ 10% or 3 psig, whichever is greater.

*Note: Available factory preset at any pressure 15-250 psig.*

### J ORIFICE

Set Pressure psig	ASME Section I Steam lbs./hr.	ASME Section VIII Steam lbs./hr.	ASME Section VIII Air SCFM
15	1947	2008	715
30	2868	2929	1043
50	4096	4280	1523
75	5646	5969	2124
100	7227	7657	2726
125	8809	9346	3327
150	10390	11034	3928
175	11971	12723	4529
200	13552	14412	5130
225	15133	16100	5731
250	16714	17789	6332

### K ORIFICE

Set Pressure psig	ASME Section I Steam lbs./hr.	ASME Section VIII Steam lbs./hr.	ASME Section VIII Air SCFM
15	2761	2848	1014
30	4067	4154	1479
50	5809	6070	2161
75	8008	8465	3013
100	10250	10860	3865
125	12493	13255	4718
150	14735	15650	5570
175	16978	18045	6423
200	19220	20440	7275
225	21463	22834	8128
250	23705	25229	8980

### L ORIFICE

Set Pressure psig	ASME Section I Steam lbs./hr.	ASME Section VIII Steam lbs./hr.	ASME Section VIII Air SCFM
15	4286	4421	1574
30	6314	6449	2295
50	9018	9423	3354
75	12432	13141	4678
100	15913	16859	6001
125	19394	20577	7324
150	22876	24295	8648
175	26357	28013	9971
200	29838	31731	11294
225	33320	35449	12618
250	36801	39167	13941

### M ORIFICE

Set Pressure psig	ASME Section I Steam lbs./hr.	ASME Section VIII Steam lbs./hr.	ASME Section VIII Air SCFM
15	5410	5580	1986
30	7969	8140	2897
50	11382	11894	4234
75	15691	16587	5904
100	20085	21280	7574
125	24480	25973	9245
150	28874	30666	10915
175	33268	35358	12586
200	37662	40051	14256
225	42056	44744	15926
250	46451	49437	17597

### N ORIFICE

Set Pressure psig	ASME Section I Steam lbs./hr.	ASME Section VIII Steam lbs./hr.	ASME Section VIII Air SCFM
15	6522	6728	2395
30	9608	9814	3493
50	13723	14340	5104
75	18918	19998	7118
100	24215	25655	9132
125	29513	31313	11146
150	34811	36971	13160
175	40108	42629	15173
200	45406	48287	17187
225	50704	53944	19201
250	56002	59602	21215

### P ORIFICE

Set Pressure psig	ASME Section I Steam lbs./hr.	ASME Section VIII Steam lbs./hr.	ASME Section VIII Air SCFM
15	9592	9895	3522
30	14131	14434	5138
50	20183	21091	7507
75	27823	29412	10469
100	35615	37733	13431
125	43407	46055	16393
150	51199	54376	19355
175	58990	62697	22317
200	66782	71018	25278
225	74574	79340	28240
250	82366	87661	31202

### Q ORIFICE

Set Pressure psig	ASME Section I Steam lbs./hr.	ASME Section VIII Steam lbs./hr.	ASME Section VIII Air SCFM
15	16617	17141	6101
30	24480	25004	8900
50	34964	36537	13005
75	48200	50952	18136
100	61698	65368	23267
125	75197	79783	28398
150	88695	94199	33529
175	102193	108614	38660
200	115691	123030	43791
225	129189	137445	48923
250	142687	151861	54054

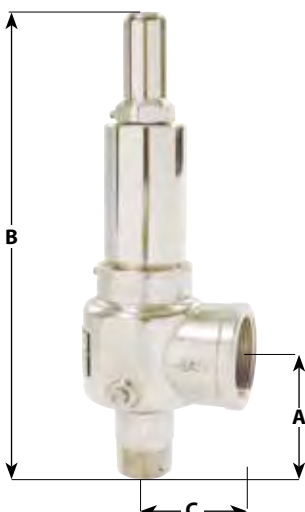
### R ORIFICE

Set Pressure psig	ASME Section I Steam lbs./hr.	ASME Section VIII Steam lbs./hr.	ASME Section VIII Air SCFM
15	24061	24820	8834
30	35446	36205	12887
50	50628	52903	18830
75	69791	73776	26260
100	89336	94649	33689
125	108880	115522	41119
150	128425	136395	48549
175	147969	157267	55978
200	167514	178140	63408
225	187059	199013	70837
250	206603	219886	78267

# SAFETY & RELIEF VALVES

## Safety Relief Valves

### 500 SERIES



### ASME SECTION VIII SAFETY RELIEF VALVES

Versatile ASME Section VIII safety relief valve certified for steam, air/gas and liquid service. Choice of bronze, carbon steel or stainless steel bodies to suit a wide range of applications.

#### FEATURES

- Set pressures to 1200 psig @ 800°F max
- Inlet sizes 1/2" through 2"
- Wide range of materials and options
- High capacity full nozzle design
- Stainless steel springs are standard
- Short "tuned" blowdown
- API 527 seat tightness
- Back pressure tight bonnet design
- Packed lever and screwed cap designs
- One trim suitable for all types of service
- Optional soft seating
- CSA B51 CRN #0G8547.5C
- Optional Dual ASME/CE European Pressure Equipment Directive Compliance Marking

Series Number	Valve Size (in.)	Orifice Letter	Flow Area (sq. in.)	Dimensions (in.)			Wt. Ea. (lbs.)
				A	B	C	
5xxDC	1/2 X 1	D	0.13	2.37	7.50	1.62	2.0
5xxDCD*	1/2 X 3/4	D	0.13	2.37	7.50	1.62	2.0
5xxDD	3/4 X 1	D	0.13	2.37	7.50	1.62	2.0
5xxDDD*	3/4 X 3/4	D	0.13	2.37	7.50	1.62	2.0
5xxED	3/4 X 1-1/4	E	0.23	2.62	9.00	2.00	3.0
5xxEE	1 X 1-1/4	E	0.23	2.62	9.00	2.00	3.0
5xxFE	1 X 1-1/2	F	0.36	2.87	10.25	2.37	5.0
5xxFF	1-1/4 X 1-1/2	F	0.36	2.87	10.25	2.37	5.0
5xxGF	1-1/4 X 2	G	0.59	3.25	13.25	2.62	9.0
5xxGG	1-1/2 X 2	G	0.59	3.25	13.25	2.62	9.5
5xxHG	1-1/2 X 2-1/2	H	0.92	3.50	15.00	2.75	15.5
5xxHH	2 X 2-1/2	H	0.92	3.50	15.00	2.75	16.0
5xxJH	2 X 3	J	1.50	4.00	17.00	3.25	23.0

\* 3/4" outlet option available with 510 and 520 bronze bodied models only.

### 500 SERIES NUMBERING SYSTEM

52	3	J	H	B	K	M	AA	0425	Q
SERIES BODY/TRIM MATERIAL	CAP	ORIFICE LETTER	INLET SIZE	CONNECTION	SERVICE	SEAT	SPECIAL OPTIONS	SET PRESSURE	SUFFIX
51 = Bronze/Brass	1 = Screwed Cap	D	C = 1/2	B = MNPT x NPT	J = Sec VIII Liquid	M = Metal	Factory Issued Letters/Numbers for Special Options or Features "AA" = Default Setting "CE" = CE/PED "HT" = High Temp Spring "OX" = Cleaned for Oxygen	Set Pressure, PSIG (4 digits)  Vacuum "HG" Prefix + 2 digits	Q = Performance (Calibration) Test Reports
52 = Bronze/Stainless	2 = Screwed + Gag	E	D = 3/4	D = 3/4 Outlet (Model 510 & 520 D Orifice Only)	K = Sec VIII Air/Gas	B = BUNA-N			
53 = Carbon/Stainless	3 = Packed Lever	F	E = 1		L = Sec VIII Steam	E = EPR			
54 = All Stainless	4 = Packed + Gag	G	F = 1-1/4		M = Non Code Liquid	K = PCTFE			
		H	G = 1-1/2		N = Non Code Air	N = Neoprene			
		J	H = 2		P = Non Code Steam	Z = Kalrez®			
					Q = Vacuum	S = Silicone			
						V = Viton			

Notes:

1. The ASME Code Section VIII requires a lift lever for the following services: air, steam, or hot water over 140°F
2. Maximum back pressure is 50 psig.
3. High temperature stainless steel alloy spring is required above 550°F / 288°C. Specify option "HT"
4. Contact factory for pricing and availability.



See Safety & Relief Valve Catalog (SRCA9000) for more detailed information about the products in this section.

Customer Service (704) 841-6000

# COMMERCIAL PRODUCTS CATALOG

## Safety Relief Valves

### 500 SERIES (CONT.)

### ASME SECTION VIII SAFETY RELIEF VALVES

#### Pressure and Temperature Ratings

Series Body Trim	510 Bronze Brass	520 Bronze Stainless	530 Carbon Steel Stainless	540 Stainless Steel Stainless
Max. Set-Steam	250 PSI	300 PSI	900 PSI (D/E) 600 PSI (F/G) 500 PSI (H/J)	900 PSI (D/E) 600 PSI (F/G) 500 PSI (H/J)
Max. Set-Air/ Gas/Liquid	300 PSI	1200 PSI (D) <sup>1</sup> 900 PSI (E) 600 PSI (F/G) 500 PSI (H/J)	1200 PSI (D) <sup>1</sup> 900 PSI (E) 600 PSI (F/G) 500 PSI (H/J)	1200 PSI (D) <sup>1</sup> 900 PSI (E) 600 PSI (F/G) 500 PSI (H/J)
Temp. Limits*	-320/406°F	-320/422°F	-20/800°F	-320/800°F

<sup>1</sup>Max set pressure for liquids is 1000 psi.

#### Notes:

- Limits based upon materials of construction and use of metal to metal seating. Refer to 500 series soft seat chart for limitations based upon elastomer.
- Specify "HT" high temperature Inconel springs for service temperature beyond 550°F.
- \* Models 510, 520 and 540 are suitable for cryogenic service to -320°F, with choice of either "M" metal or "K" PCTFE seat options.

#### ASME Section VIII Water - US gallons per minute @ 10% overpressure. NATIONAL BOARD CERTIFIED.

Set Pressure psig	Orifice					
	D	E	F	G	H	J
15	14	25	40	65	102	167
20	16	29	45	74	115	189
25	18	32	50	82	127	208
30	19	34	54	89	138	226
35	21	37	58	96	149	244
40	22	40	62	102	160	261
45	24	42	66	108	169	277
50	25	44	70	114	178	292
55	26	46	73	120	187	306
60	28	48	76	125	195	320
65	29	50	79	130	203	333
70	30	52	82	135	211	345
75	31	54	85	140	218	357
80	32	56	88	145	226	369
85	33	58	91	149	233	381
90	34	59	93	153	239	392
95	35	61	96	158	246	402
100	36	63	98	162	252	413
125	40	70	110	181	282	462
150	44	77	121	198	309	506
175	47	83	130	214	334	546
200	50	89	139	229	357	584
225	53	94	148	242	378	619
250	56	99	156	256	399	653
275	59	104	163	268	418	685
300	62	108	171	280	437	715
325	64	113	178	291	455	744
350	66	117	184	302	472	772
375	69	121	191	313	489	799
400	71	125	197	323	505	826
425	73	129	203	333	520	851
450	75	133	209	343	535	876
475	77	136	215	352	550	900
500	79	140	220	361	564	923
525	81	143	226	370		
550	83	147	231	379		
575	85	150	236	388		
600	87	153	241	396		
625	89	157				
650	91	160				
675	92	163				
700	94	166				
725	96	169				
750	97	171				
775	99	174				
800	100	177				
825	102	180				
850	104	183				
875	105	185				
900	107	188				
950	109					
1000	112					

Note: To determine water capacity at 25% overpressure, multiply the capacity at 10% above by 1.066.

# SAFETY & RELIEF VALVES

## Safety Relief Valves

### 500 SERIES (CONT.)

### ASME SECTION VIII SAFETY RELIEF VALVES

ASME Section VIII Steam - Pounds per hour of saturated steam @ 10% overpressure. NATIONAL BOARD CERTIFIED.

Set Pressure psig	Orifice					
	D	E	F	G	H	J
15	188	331	520	853	1332	2180
20	216	381	600	984	1536	2513
25	245	432	679	1114	1740	2846
30	274	482	759	1245	1943	3180
35	305	538	846	1388	2168	3546
40	337	593	934	1532	2392	3913
45	368	649	1021	1676	2616	4280
50	400	705	1108	1819	2840	4646
55	431	760	1196	1963	3064	5013
60	463	816	1283	2106	3288	5380
65	494	872	1371	2250	3512	5746
70	526	927	1458	2393	3736	6113
75	558	983	1546	2537	3960	6479
80	589	1038	1633	2680	4184	6846
85	621	1094	1721	2824	4408	7213
90	652	1150	1808	2968	4632	7579
95	684	1205	1896	3111	4857	7946
100	715	1261	1983	3255	5081	8313
125	873	1539	2421	3972	6201	10146
150	1031	1817	2858	4690	7322	11979
175	1189	2095	3295	5408	8442	13812
200	1346	2373	3733	6126	9562	15645
225	1504	2651	4170	6843	10683	17478
250	1662	2929	4607	7561	11803	19312
275	1820	3207	5045	8279	12924	21145
300	1977	3485	5482	8997	14044	22978
325	2135	3763	5919	9714	15165	24811
350	2293	4041	6357	10432	16285	26644
375	2451	4319	6794	11150	17405	28477
400	2608	4597	7231	11867	18526	30311
425	2766	4875	7669	12585	19646	32144
450	2924	5153	8106	13303	20767	33977
475	3082	5431	8543	14021	21887	35810
500	3239	5709	8981	14738	23008	37643
525	3397	5987	9418	15456		
550	3555	6266	9855	16174		
575	3713	6544	10293	16892		
600	3870	6822	10730	17609		
625	4028	7100				
650	4186	7378				
675	4344	7656				
700	4501	7934				
725	4659	8212				
750	4817	8490				
775	4975	8768				
800	5132	9046				
825	5290	9324				
850	5448	9602				
875	5606	9880				
900	5763	10158				
Approx. 1 psi Increment	6.3	11.1	17.5	28.7	44.8	73.3

ASME Section VIII Air - Standard cubic feet of air per minute @ 10% overpressure. NATIONAL BOARD CERTIFIED.

Set Pressure psig	Orifice					
	D	E	F	G	H	J
15	67	118	185	304	474	776
20	77	136	213	350	547	895
25	87	154	242	397	619	1013
30	97	172	270	443	692	1132
35	109	191	301	494	772	1262
40	120	211	332	545	851	1393
45	131	231	363	596	931	1523
50	142	251	395	648	1011	1654
55	154	271	426	699	1091	1784
60	165	290	457	750	1170	1915
65	176	310	488	801	1250	2045
70	187	330	519	852	1330	2176
75	198	350	550	903	1410	2306
80	210	370	581	954	1489	2437
85	221	389	612	1005	1569	2567
90	232	409	644	1056	1649	2698
95	243	429	675	1107	1729	2828
100	255	449	706	1158	1808	2959
125	311	548	862	1414	2207	3611
150	367	647	1017	1669	2606	4264
175	423	746	1173	1925	3005	4916
200	479	845	1329	2180	3404	5569
225	535	944	1484	2436	3802	6221
250	592	1043	1640	2691	4201	6874
275	648	1142	1796	2947	4600	7526
300	704	1240	1951	3202	4999	8179
325	760	1339	2107	3458	5398	8831
350	816	1438	2263	3713	5796	9484
375	872	1537	2418	3969	6195	10136
400	928	1636	2574	4224	6594	10789
425	985	1735	2730	4480	6993	11441
450	1041	1834	2885	4735	7392	12094
475	1097	1933	3041	4991	7791	12746
500	1153	2032	3197	5246	8189	13399
525	1209	2131	3352	5501		
550	1265	2230	3508	5757		
575	1321	2329	3664	6012		
600	1378	2428	3819	6268		
625	1434	2527				
650	1490	2626				
675	1546	2725				
700	1602	2824				
725	1658	2923				
750	1715	3022				
775	1771	3121				
800	1827	3220				
825	1883	3319				
850	1939	3418				
875	1995	3517				
900	2051	3616				
950	2163					
1000	2276					
1050	2388					
1100	2501					
1150	2613					
1200	2725					
Approx. 1 psi Increment	2.2	4	6.2	10.2	16	26.1



See Safety & Relief Valve Catalog (SRCA9000) for more detailed information about the products in this section.

Customer Service (704) 841-6000

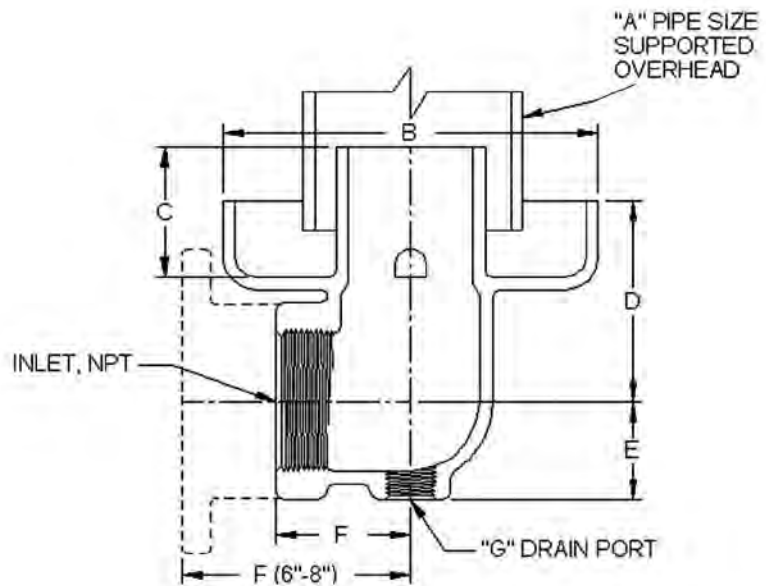
## Accessories



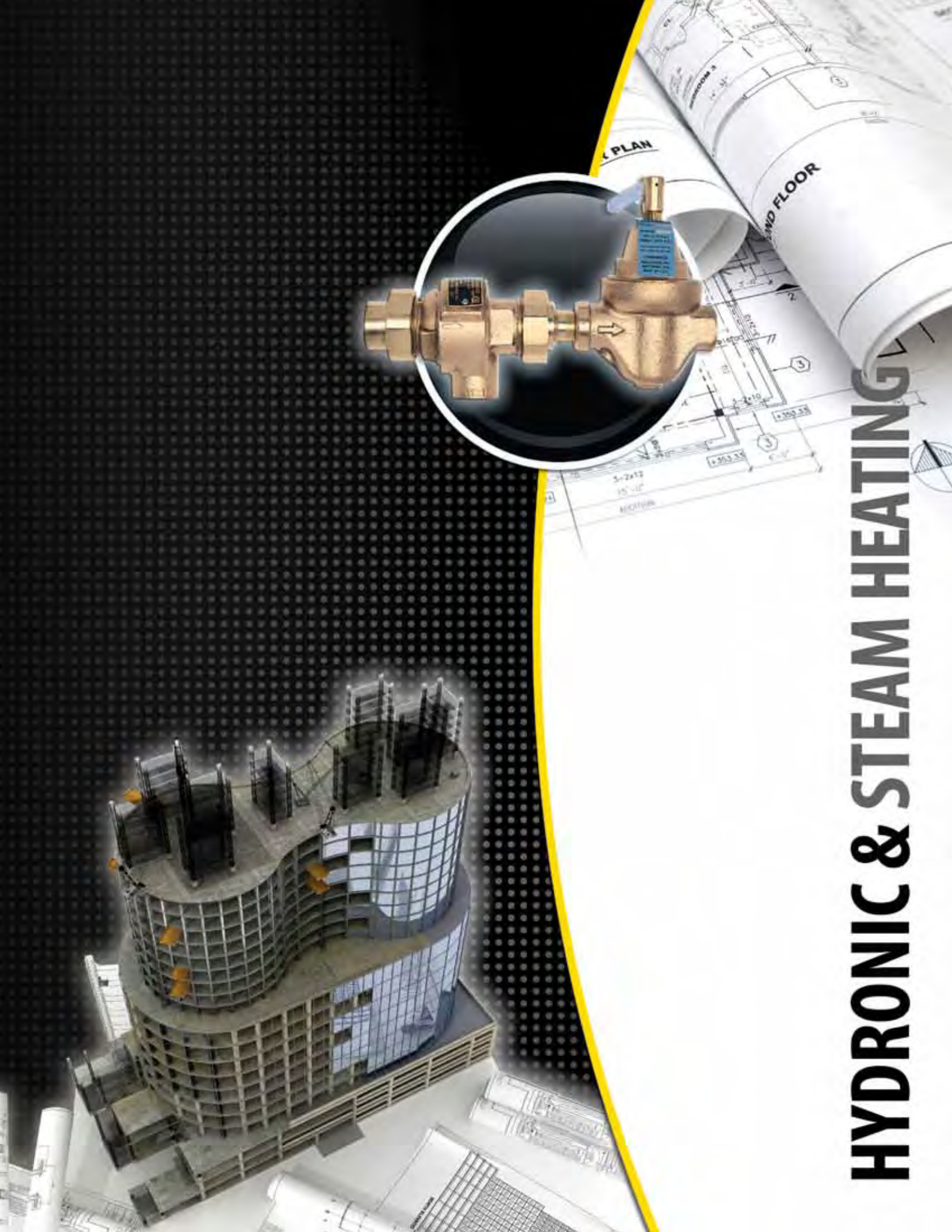
### DRIP PAN ELBOW – APOLLO INTERNATIONAL™

The use of a drip pan elbow is highly recommended for steam service safety valves. When attached to a safety valve outlet, these elbows collect and remove condensate as well as isolate the valve from discharge piping stresses. Elbows through 4" feature female NPT threads and connect to the valve outlet by means of a close nipple. The 6" and 8" elbows have integral 125# ANSI B16.1 flanges and bolt directly to the valve outlet.

Series Number	Size (In.) NPS/DN	Dimensions (in./mm.)							Wt./Ea. (lbs./kg.)
		A NPS/DN	B	C	D	E	F	G NPS/DN	
DPE 07	3/4	1-1/2	3.75	1.63	2.25	1	1.5	1/4	2
	20	40	95	41	57	25	40	8	.9
DPE 10	1	1-1/2	3.75	1.63	2.25	1	1.5	1/4	2
	25	40	95	41	57	25	40	8	.9
DPE 12	1-1/4	2	5.5	2.13	3.38	1.5	2.13	3/8	5
	32	50	127	54	86	40	54	10	2.1
DPE 15	1-1/2	2	5.5	2.13	3.38	1.5	2.13	3/8	5
	40	50	127	54	86	40	54	10	2.1
DPE 20	2	3	6.25	2.25	3.63	1.63	2.25	1/2	7
	50	80	159	57	92	41	57	15	3.2
DPE 25	2-1/2	4	7.38	3	4.38	1.88	2.75	3/4	11
	65	100	187	80	111	48	70	20	5.0
DPE 30	3	4	8	3.5	4.88	2.13	3.13	3/4	17
	80	100	200	89	124	54	80	20	7.7
DPE 40	4	6	9.63	4.5	5.75	2.63	3.75	3/4	30
	100	150	245	114	146	67	95	20	13.6
DPE 60	6	8	12.75	6.63	7.63	3	8	3/4	84
	150	200	324	168	194	80	200	20	38.1
DPE 80	8	10	16.5	7.5	8.63	4.13	10.75	1	151
	200	250	419	191	219	105	273	25	68.5







# HYDRONIC & STEAM HEATING



# HYDRONIC & STEAM HEATING



See Hydronic & Steam Heating Catalog (PHBRHYD) for more detailed information about the products in this section.

# HYDRONIC & STEAM HEATING

## Hydronic Heating Specialties

### EXT (16-XT) SERIES



### EXPANSION TANKS FOR HYDRONIC SYSTEMS

Conbraco non-potable expansion tanks help maintain balanced pressure throughout a hot water heating system by absorbing thermal expansion. Pre-pressurized, they're designed to prevent system damage and unnecessary discharges by relief valves and ensure long, trouble-free system life.

#### FEATURES

- Welded steel construction
- Rugged flexible diaphragm
- Pre-charged at 12 psig
- Compact design saves energy and space
- Glycol compatible
- Maximum working pressure: 100 psig
- Maximum temperature: 240°F
- Chlorobutyl diaphragm
- Ideal for peak use systems such as car washes, processing plants, and hotels
- **Made in USA**

Series Number	Capacity (gal.)	Exp. Vol. (gal.)	Connection	Dimensions (in.)		Net Wt. (lbs.)
				Height	Diameter	
16-XT1-03	2	1.9	1/2 NPT	12.5	8.25	5
16-XT3-03	5	4.8	1/2 NPT	14.75	11	8
16-XT5-03	7	7.3	1/2 NPT	21.12	11	12
16-XT7-03	14	14.68	1 NPT	21.62	15.37	22

### RAV (27-200) SERIES



### RADIATOR AIR VALVE – APOLLO INTERNATIONAL™

Manual air purge valves for hot water radiators/heating systems.

Series Number	Size (in.)	Net Wt. (lbs.)
27-202-02	1/8	2.0
H-2404-00	Key only	0.9

### FF (35) SERIES



### BRONZE FEED WATER PRESSURE REGULATORS

Available in 1/2" union threaded, threaded and solder union configurations. Purge lever/fast fill feature. Cartridge is replaceable inline.

#### FEATURES

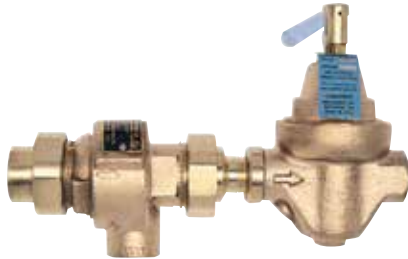
- No cage screws
- Factory pre-set to 15 psig - adjustable 10 to 25 psig
- Max temperature 210°F, Max supply pressure 100 psi
- High capacity
- Integral check and Stainless Steel strainer
- Rugged high temperature Nitrile elastomers

Series Number	Size (in.)	Height (in.)	Length (in.)	Net Wt. (lbs.)
35-503-01	1/2 Union Threaded	5.25	4.31	2.5
35-603-01	1/2 Threaded	5.25	3.50	2.2
35-703-01	1/2 Solder Union	5.25	3.18	2.3

# COMMERCIAL PRODUCTS CATALOG

## Hydronic Heating Specialties

### FFB (35-6A3/6H3) SERIES



### BRONZE COMBINATION CPBP BACKFLOW PREVENTER & FEED WATER REGULATORS

Positive protection against backflow when supply pressure falls below system pressure.

#### FEATURES

- Designed for continuous pressure, hot or cold water service
- Fast-fill lever on regulator
- Built-in Stainless Steel strainer
- Max supply pressure 100 psig
- Max temperature 210°F
- Backflow device is ASSE and CSA listed
- APOLLOXPRESS™ end connection option

Series Number	Size (in.)	Height (in.)	Length (in.)	Net Wt. (lbs.)
35-6A3-BF	1/2 Union NPT x NPT	5.25	8.50	4.5
35-6H3-BF	1/2 Solder Union x NPT	5.25	8.50	4.4
35-6A3-BFC*	1/2 Union NPT	5.25	8.50	4.5
35-6H3-BFC*	1/2 Solder Union	5.25	8.50	4.4

\* "C" Models for Canadian market - Discharge port not threaded.

### FCT (35-403) SERIES



### MULTI-ORIFICE CONTROL VALVE

Provides flow control on tankless heaters; for delivery of 2-1/2, 3, 3-1/2, and 4 GPM. Easy adjustment.

#### FEATURES

- Maximum temperature: 250°F
- Maximum pressure: 150 psig

Series Number	Size (in.)	Height (in.)	Length (in.)	Net Wt. (lbs.)
35-403-01	1/2 Solder	2.11	2.00	.42

### FC (35FC) SERIES



### ALL BRONZE HYDRONIC FLOW CHECK VALVES

The flow check is designed to provide positive shut-off when water service is interrupted.

#### FEATURES

- Wear resistant metal to metal seat
- Replaceable seat assembly
- By-pass option (NPT only)
- Sweat or thread connection available
- Designed for easy maintenance
- Suitable for hot or cold water service
- Maximum working pressure: 50 psi for 3/4" - 1-1/4"  
125 psig for 1-1/2" - 2"
- Maximum operating temperature: 250°F

Series Number	Size (in.)	Connection	Net Wt. (lbs.)
35-FC4-01	3/4	NPT	2.3
35-FC5-01	1	NPT	2.6
35-FC6-01	1-1/4	NPT	5.0
35-FC7-01	1-1/2	NPT	8.6
35-FC8-01	2	NPT	12.2
35-FC4-02	3/4	Sweat	11.2
35-FC5-02	1	Sweat	15.5

# HYDRONIC & STEAM HEATING

## Balancing Valves

### BAV (58) SERIES



Provide dependable hydronic control; for use with 1/2" and 3/4" copper piping. Pressure rated to 150 psig.

#### FEATURES

- ASTM B584 Bronze
- EPDM o-ring seal
- Made in USA

Series Number	Size (in.)	Cv	Wt. (lbs.)
58-003-01	1/2 Solder	4	.30
58-004-01	3/4 Solder	14	.5

### 58A SERIES

NEW



Apollo Model 58A balance provide two position hydronic circuit isolation capability and multi-turn throttling adjustment required for proportional balancing of hydronic systems. The valve has a unique needle valve adjustment, with integrated digital readout. Available in NPT, Solder and XPress connections.

#### FEATURES

- DZR Brass body
- P/T plugs
- Compatible with all flow meters
- Easy adjustment and setpoint indicator
- Isolated flow shut-off does not affect adjustments
- Reversible lever
- Connection options include: Thread (-T), Solder (-S), Press (-PR)

Series Number	Size (in.)	Connection	Cv	Wt. (lbs.)
58A103 T	1/2	NPT/SWEAT/PRESS	1.79	1.1
58A104 T	3/4	NPT/SWEAT/PRESS	4.51	1.4
58A105 T	1	NPT/SWEAT/PRESS	8.18	1.8
58A106 T	1-1/4	NPT/SWEAT/PRESS	13.89	3.3
58A107 T	1-1/2	NPT/SWEAT/PRESS	23.9	4.3
58A108 T	2	NPT/SWEAT/PRESS	33.77	6.0

### 58B SERIES

NEW



Apollo Model 58B balance valves proportionally balance hydronic systems. Flow measurement is achieved through an integrated venturi flow meter affixed to an Apollo LD-141 butterfly valve. Available in Flanged Connections.

#### FEATURES

- P/T plugs
- Compatible with All Flow Meters
- Easy Adjustment and Setpoint Indicator
- Compatible with ANSI 125# & 150# Flanges
- Memory Stop
- Conforms to MSS SP-67 & API 609
- Meets performance requirements of AWWA C-504

Series Number	Size (in.)	Connection	Cv	Wt. (lbs.)
58B109F	2-1/2	FLANGED	194.5	57
58B100F	3	FLANGED	194.5	63
58B10AF	4	FLANGED	415	81
58B10BF	5	FLANGED	585	92
58B10CF	6	FLANGED	1170	107
58B10EF	8	FLANGED	2240	156
58B10GF	10	FLANGED	2921	200
58B10HF	12	FLANGED	3977	250

# COMMERCIAL PRODUCTS CATALOG

## Hydronic Heating Specialties

### PBS (78-600) SERIES



### BRONZE PURGE, BALANCE AND SHUT-OFF VALVE

Straight-through flow; all brass cover and chain prevent accidental system drainage; hose thread connection for disposal of drained media.

#### FEATURES

- RPTFE seals
- Adjustable packing
- 600 psig CWP in open position

Series Number	Description	Size (in.)	Net Wt. (lbs.)
78-645-01	FNPT x FNPT x Hose	1/2	2.0
78-646-01	FNPT x FNPT x Hose	3/4	2.0
78-668-01	Solder x Solder x Hose	3/4	2.0
78-668-02	Solder x Solder x Hose	1	3.5
78-671-01*	Solder x Solder x Hose	3/4	1.9

\* Available with screwdriver slotted stainless steel stem.

## Hydronic Valves

### 70-100-94 SERIES



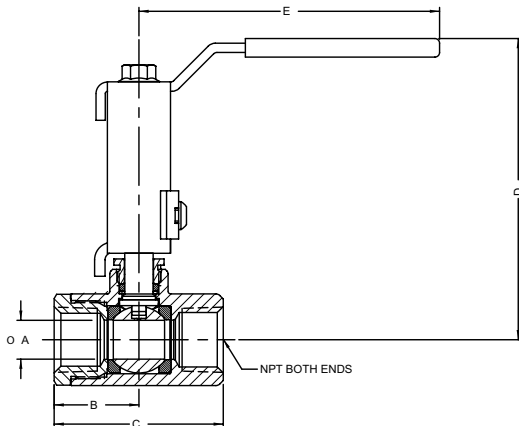
### BALL VALVE WITH BALANCING STOP AND STEM EXTENSION

Ideal for HVAC systems. Stop plate and a 2-1/4" stem extension combination to accommodate insulation and handle repositioning.

#### FEATURES

- ASTM B584 Bronze
- RPTFE seats
- MPTFE stem packing
- Blowout-proof stem design
- Adjustable packing gland
- 600 psig CWP cold, non-shock

Contact customer service for exact handle dimensions



Series Number	LF Series Number	Size (in.)	Dimensions (in.)					Net Wt. (lbs.)
			A	B	C	D	E	
70-101-94	70LF-101-94	1/4	0.37	1.03	2.06	3.83	3.87	0.84
70-102-94	70LF-102-94	3/8	0.37	1.03	2.06	3.83	3.87	0.83
70-103-94	70LF-103-94	1/2	0.50	1.12	2.25	3.83	3.87	0.90
70-104-94	70LF-104-94	3/4	0.68	1.50	3.00	4.20	4.87	1.78
70-105-94	70LF-105-94	1	0.87	1.68	3.37	4.33	4.87	2.11
70-106-94	70LF-106-94	1-1/4	1.00	2.00	4.00	4.70	5.50	3.77
70-107-94	70LF-107-94	1-1/2	1.25	2.18	4.37	5.14	8.00	5.08
70-108-94	70LF-108-94	2	1.50	2.34	4.68	5.33	8.00	6.51
70-109-94A	70LF-109-94A	2-1/2	2.00	3.12	6.25	5.80	8.00	14.47

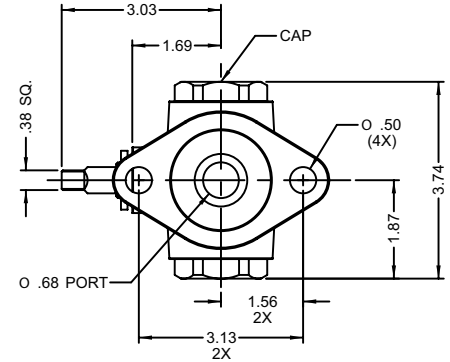
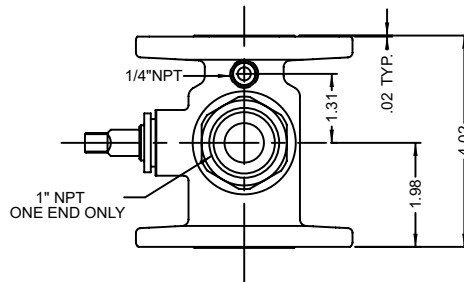
# HYDRONIC & STEAM HEATING

## Specialty Valves

### 78-970-01 SERIES

#### HYDRONIC 3-WAY, 4-SEATED BALL VALVE WITH FLANGED PUMP CONNECTIONS

Can be used in hydronic geothermal or other HVAC applications where diversion of flow is required, along with positive shut-off. Designed to connect directly to circulator pump flange connections.



## Water Heater Accessories

### EXV (78-RV) SERIES

#### BRONZE SHUT-OFF VALVE WITH THERMAL EXPANSION CONTROL VALVE

The Apollo® 78RV combines thermal expansion protection and water heater shut-off in a single, simple installation. They're space saving and a less costly alternative to large expansion tanks.

#### FEATURES

- Solder, NPT, and Pex ball valve connections
- Corrosion resistant, all bronze materials
- Chrome plated ball
- Thermal relief valve is factory preset and sealed
- Relief valve features soft seat and Stainless Steel spring
- Relief valve available with hose barb fitting, 1/2" Pex fitting, 3/8" compression fitting or 1/2" combination sweat/thread fitting
- IAPMO IGC 128-2008 approval
- Temperature rating: 210°F max
- Meets CSA B125.1 & B125.3 requirements
- City of Los Angeles registered
- Multiple relief pressure kit options
- **Lead Free** option (78LF-RV)



Designate Lead Free by adding LF to Series No. (ex. 78LF-414-RV)

#### NUMBERING SYSTEM

78	-X	-X	-X	-RV
SERIES	SIZE	SET PRESSURE	RELIEF VALVE CONNECTION	
78 = Standard	3 = 3/4 SWT	0 = 125 psig	4 = 3/8" Hose barb	
78LF = Lead Free	4 = 3/4 THD	1 = 100 psig	5 = 1/2" Pex	
	7 = 3/4 PEX	2 = 80 psig	6 = 3/8" Compression fitting	
			7 = 1/2" NPT/SWT fitting	

#### EXAMPLES:

**78-306-RV** = 3/4" Sweat Connections, 125 psig Set Pressure, 3/8" Compression Connection on Relief Valve.

**78LF-414-RV** = Lead Free, 3/4" Threaded Connections, 100 psig Set Pressure, 3/8" Hose Barb Connection on Relief Valve.

# COMMERCIAL PRODUCTS CATALOG

## Water Heater Accessories

### EXP (40-XT) SERIES



### EXPANSION TANKS FOR POTABLE SYSTEMS

Designed to protect closed water supply systems, appliances and piping from the hazards of thermal expansion, such as premature water heater failure. Installs easily on direct fired gas, oil and electric hot water heaters and storage tanks. Their pre-pressurized steel design includes an expansion membrane that stops any contact between the water and air in the tank.

#### FEATURES

- Ideal for use in dorms, apartments, office buildings and hospitals
- Compatible with most standard water heaters and storage tanks
- Maximum working pressure: 150 psig
- Food quality Chlorobutyl diaphragm
- 100 percent non-metallic non-corrosive water reservoir
- Pre-charge pressure 40 psig
- Field adjustable pre-charge
- ANSI/NSF 61-8, Annex G (**Lead Free**)
- **Made in USA**

Series Number	Capacity (gal.)	Exp. Vol. (gal.)	Connection	Dimensions (in.)		Net Wt. (lbs.)
				Height	Diameter	
40-XT1-03	2	1.27	3/4 NPT	12.5	8.25	5.5
40-XT3-03	5	3.05	3/4 NPT	14.0	11.25	8
40-XT5-03	10	7.80	3/4 NPT	15.75	15.25	20

## Vacuum Relief Valves

### VR (37-200) SERIES



### VACUUM RELIEF VALVES FOR WATER HEATER PROTECTION

Designed to protect tank from collapsing during water siphoning, resulting in negative pressure. Design certified by CSA in accordance with ANSI Z21.22. Also suitable for low pressure (15 psig maximum) steam service.

#### FEATURES

- Maximum temperature: 250°F
- Auto-vacuum relief at less than 1" Hg vacuum
- Rated for water pressures to 200 psig
- Model 37-200 brass body (EPDM rubber @2" mercury (vacuum))

Series Number	Size (in.)	Venting Capacity	Wt./100 (lbs.)
37-201	1/2	15 CFM	30.4
37-202	3/4	16 CFM	32.4

Suffix key: Satin Brass - 01; Satin Chrome - 02

\*NOTE: These valves are not designed for anti-siphon backflow prevention. To prevent back-siphonage of polluted water into a potable water system, choose from Conbraco's line of backflow preventers.





# MIXING VALVES



# MIXING VALVES



*See Mixing Valve Catalog (PHBRMIX) for more detailed information about the products in this section.*

## Hydronic Tempering Valves

### TV (34-200) SERIES



### MIXING VALVES

These dependable thermostatic mixing valves are designed to provide non-ASSE extension of water heater capacity and hot water temperature control in residential hot water heater and hydronic heating applications. Numbered indicator control allows easy setup and fingertip control. Available in low or high temperature options depending on floor or baseboard application.

### FEATURES

- Low temperature range (85°-120°F)
- Standard temperature range (120°-180°F)
- US manufacturerd
- Corrosion resistant bronze body
- Thermoplastic shuttle assembly
- Solder connections are standard
- Hot & cold water failure protection

Size (in.)	Connection	Low Temp (85° - 120°F)		Standard Temp (120° - 180°F)	
		Model	Series	Model	Series
1/2	Solder	TV12L1	34-203-L1	TV12	34-203-01
3/4	Solder	TV34L1	34-204-L1	TV34	34-204-01

To order Repair Kits use part numbers 34-200-01RK (high temp.), 34-200-L1RK (low temp.)

# COMMERCIAL PRODUCTS CATALOG

## ASSE 1017 Point of Source Mixing Valves

### MVA (34A) SERIES



### THERMOSTATIC MIXING VALVES

34A Series are ASSE 1017 certified mixing valves designed for hot water distribution systems; or “point of source” applications. High temperature versions are designed for radiant heat applications, to provide better control of hot water supply. Numbered indicator control allows easy setup and fingertip control. Available in standard or high temperature range options depending on application. Inlet check valves and Stainless Steel screens provide added protection of thermostat and cross flow control.

#### FEATURES

- New EPDM union washer/screen
- Standard temperature range (85°-140°F)
- High temperature range (120°-180°F)
- Corrosion resistant bronze body
- Supply pressures to 150 psig
- Union NPT, Solder, CPVC, Press and PEX connections
- Inlet check valves
- 30 mesh SS screens on both inlets
- High flow capacity
- Broad temperature adjustment range
- Hot and cold water failure protection
- CSA B125.3 approval
- Calibrated max 120°F setpoint option available
- Chloramine resistant elastomers
- Maximum flow 19 gpm @ 30 psid
- **Lead Free** option (34ALF)

Designate Lead Free by adding **LF** to Series No. (ex. **34ALF213S**)

Size (in.)	Connection	Standard Temp (85° - 140°F)		Cal. Max. Temp (120°F)		High Temp (120° - 180°F)*	
		Model	Series	Model	Series	Model	Series
1/2"	Solder inlets X Solder outlet	MVAS12	34A213S	MVABS12	34A213BS	MVAHS12	34A213HS
	FNPT inlets X FNPT outlet	MVA12	34A213T	MVAB12	34A213BT	MVAHT12	34A213HT
	CPVC inlets X CPVC outlet	MVAC12	34A213C	MVABC12	34A213BC		
	PEX inlets X PEX outlet	MVAX12	34A213X	MVABX12	34A213BX		
	Solder inlets X CPVC outlet	MVASC12	34A213SC	MVABSC12	34A213BSC		
	FNPT inlets X CPVC outlet	MVATC12	34A213TC	MVABTC12	34A213BTC		
	PEX inlets X CPVC outlet	MVAXC12	34A213XC	MVABXC12	34A213BXC		
	CPVC inlets X PEX outlet	MVACX12	34A213CX	MVABCX12	34A213BCX		
	PRESS inlets X PRESS outlet	MVAPR12	34A213PR	MVABPR12	34A213BPR		
3/4"	Solder inlets X Solder outlet	MVAS34	34A214S	MVABS34	34A214BS	MVAHS34	34A214HS
	FNPT inlets X FNPT outlet	MVA34	34A214T	MVAB34	34A214BT	MVAHT34	34A214HT
	CPVC inlets X CPVC outlet	MVAC34	34A214C	MVABC34	34A214BC		
	PEX inlets X PEX outlet	MVAX34	34A214X	MVABX34	34A214BX		
	Solder inlets X CPVC outlet	MVASC34	34A214SC	MVABSC34	34A214BSC		
	FNPT inlets X CPVC outlet	MVATC34	34A214TC	MVABTC34	34A214BTC		
	PEX inlets X CPVC outlet	MVAXC34	34A214XC	MVABXC34	34A214BXC		
	CPVC inlets X PEX outlet	MVACX34	34A214CX	MVABCX34	34A214BCX		
	PRESS inlets X PRESS outlet	MVAPR34	34A214PR	MVABPR34	34A214BPR		
1"	Solder inlets X Solder outlet	MVAS1	34A215S	MVABS1	34A215BS	MVAHS1	34A215HS
	FNPT inlets X FNPT outlet	MVA1	34A215T	MVAB1	34A215BT	MVAHT1	34A215HT
	CPVC inlets X CPVC outlet	MVAC1	34A215C	MVABC1	34A215BC		
	PEX inlets X PEX outlet	MVAX1	34A215X	MVABX1	34A215BX		
	Solder inlets X CPVC outlet	MVASC1	34A215SC	MVABSC1	34A215BSC		
	FNPT inlets X CPVC outlet	MVATC1	34A215TC	MVABTC1	34A215BTC		
	PEX inlets X CPVC outlet	MVAXC1	34A215XC	MVABXC1	34A215BXC		
	CPVC inlets X PEX outlet	MVACX1	34A215CX	MVABCX1	34A215BCX		
	PRESS inlets X PRESS outlet	MVAPR1	34A215PR	MVABPR1	34A215BPR		

To order Repair Kits use part numbers 34A200HRK (high temp.), 34A200RK (std. temp.)

\* High temperature models are not ASSE certified.

## Mixing Valves

### MVC (34C) SERIES



### COMMERCIAL HIGH CAPACITY MIXING VALVES

34C Series ASSE 1017 listed, high-capacity mixing valves are thermostatically controlled regulating valves designed for use in large commercial potable and non-potable hot water systems or "point of source" applications. Simple adjustment of water temperature from 90°-140°F or 130°-180°F.

#### FEATURES

- Sizes: 3/4", 1", 1-1/4", 1-1/2", 2"
- Standard temp range (90°-140°F)
- High temp range (130°-180°F)
- Threaded connections
- Installs easily on heating source
- Chloramine resistant elastomers
- Patented design for easy in-line maintenance
- Supply pressures to 150 psig
- U. S. Patent No. 6,328,219
- CSA B125.3

Size (in.)	Connection	Standard Temp (90° - 140°F)		High Temp (130° - 180°F)*	
		Model	Series	Model	Series
3/4"	FNPT inlets X FNPT outlet	MVC34	34C10401	MVCH34	34C104H1
1"		MVC1	34C10501	MVCH1	34C105H1
1-1/4"		MVC114	34C10601	MVCH114	34C106H1
1-1/2"		MVC112	34C10701	MVCH112	34C107H1
2"		MVC2	34C10801	MVCH2	34C108H1

To order Repair Kits:

- 3/4" - 1" - 34C104RK (std. temp)
- 34C104R1 (high temp)
- 1-1/4" - 2" - 34C106RK (std. temp)
- 34C106RK1 (high temp)

\* High temperature models are not ASSE certified.

## Point of Use Mixing Valves

### MVD (34D) SERIES



**34D Single Outlet  
"Point Of Use" Mini Mixer**



### MINI-MIXER MIXING VALVES

ASSE 1070 certified, "point of use" mixing valves are designed to sense and maintain preset outlet temperature compensating for fluctuations in hot and cold water supply temperatures and pressures. The mixed water temperature adjustment range is 85°F to 120°F and will hold a desired temperature within ±2°F. The 34D also features an adjustable temperature limit stop to prevent the valve from being set above 120°F.

#### FEATURES

- Corrosion resistant bronze body
- 3/8" compression connections
- Easy maintenance
- Elevated temperature thermal element protection
- CSA B125.3 approval
- Mounting kit included
- Chrome plate option
- Can be used with 3/8" braided hose
- Tamper resistant locking cap
- Scald protection
- Inlet check valves to prevent cross connection
- Bypass tee option for cold water connections
- Chloramine resistant elastomers
- Hot & cold water failure protection
- **Lead Free** option (34DLF) with NSF 61-8 approval

Size (in.)	Connection	Finish	Single Inlet		By-Pass Inlet	
			Model	Series	Model	Series
3/8"	Compression inlets X Compression outlet	Bronze	MVD	34D30201	MVDB	34D302B1
		Chrome Plated	MVDR	34D30217	MVDRB	34D302B17
3/8"	Compression inlets X Compression outlet	Bronze	MVD	34DLF30201	MVDB	34DLF302B1
		Chrome Plated	MVDR	34DLF30217	MVDRB	34DLF302B17

To order Repair Kits use part number 34D300RK.

# COMMERCIAL PRODUCTS CATALOG

## Dual Purpose Mixing Valves

### MVB (34B) SERIES



### SCALD PROTECTION MIXING VALVES

ASSE 1017 and 1070 certified mixing valves are designed for “point of source” or “point of use” applications with high flow. These valves use a thermostatic element that senses outlet temperature and will compensate for fluctuating inlet temperature and pressure. The mixed water temperature range is 85°-120°F and will hold a desired temperature within  $\pm 3^\circ\text{F}$ . The 34B also features adjustable temperature limit stop to prevent the valve from being set above 120°F.

#### FEATURES

- High flow rates
- Stainless steel spring
- Corrosion resistant bronze body
- NPT, Solder, Pex, CPVC connections
- CSA B125.3 approval
- ASSE 1017 for hot water source apps.
- ASSE 1070 for multiple fixture apps.
- Inlet check valves
- New flat EPDM union washers with 20 mesh screen
- Cold water failure protection
- Adjustable temperature limit stop
- Supply pressures to 150 psig
- Tamper resistant locking cap
- Chloramine resistant elastomers
- 1.5 GPM minimum flow rate
- For lower flow applications recirculation pump downstream is recommended
- **Lead Free** option (34BLF)

Size (in.)	Connection	Model	Series	LF Series
1/2"	Solder inlets X Solder outlet	MVBS12	34B213S	34BLF213S
	FNPT inlets X FNPT outlet	MVB12	34B213T	34BLF213T
	CPVC inlets X CPVC outlet	MVBC12	34B213C	34BLF213C
	PEX inlets X PEX outlet	MVBX12	34B213X	34BLF213X
	Solder inlets X CPVC outlet	MVBSC12	34B213SC	34BLF213SC
	FNPT inlets X CPVC outlet	MVBTC12	34B213TC	34BLF213TC
	PEX inlets X CPVC outlet	MVBXC12	34B213XC	34BLF213XC
	CPVC inlets X PEX outlet	MVBCX12	34B213CX	34BLF213CX
3/4"	Solder inlets X Solder outlet	MVBS34	34B214S	34BLF214S
	FNPT inlets X FNPT outlet	MVB34	34B214T	34BLF214T
	CPVC inlets X CPVC outlet	MVBC34	34B214C	34BLF214C
	PEX inlets X PEX outlet	MVBX34	34B214X	34BLF214X
	Solder inlets X CPVC outlet	MVBSC34	34B214SC	34BLF214SC
	FNPT inlets X CPVC outlet	MVBTC34	34B214TC	34BLF214TC
	PEX inlets X CPVC outlet	MVBXC34	34B214XC	34BLF214XC
CPVC inlets X PEX outlet	MVBCX34	34B214CX	34BLF214CX	
1"	Solder inlets X Solder outlet	MVBS1	34B215S	34BLF215S
	FNPT inlets X FNPT outlet	MVB1	34B215T	34BLF215T
	PEX inlets X PEX outlet	MVBX1	34B215X	34BLF215X

To order Repair Kits use part number 34B200RK.

## Automatic Temperature Controller

### MVHL (34HL) SERIES



### INNOVATION FROM APOLLO®...THE FIRST MULTIPLE-FIXTURE HI-LO MIXING VALVE THAT MEETS ASSE 1017 AND THE NEW ASSE 1069 STANDARD

Only Apollo® offers fast delivery on the first water temperature mixing assembly to meet ASSE 1017 and the strict performance levels required by the new ASSE 1069 Standard.

The new 34HL Automatic Temperature Control Mixing Valve uses proven Apollo thermostatic control to produce a consistent mix of water from low through high flow range.

This single assembly controls mixed water temperatures to multiple-outlet shower and sink installations. It's the ideal choice in new construction or retrofits in nursing homes, prisons, hospitals, schools, gymnasiums, airports and other facilities where constant safe water temperature needs to be maintained at several outlets without the use of independent ASSE 1016 shower valves.

#### FEATURES

- The Apollo 34HL Automatic Temperature Controller is an advanced thermostatic mixing valve capable of maintaining safe, consistent temperature control of water at low and high flows to within  $\pm 3.6^\circ$  F.
- The 34HL will provide consistent temperature control at flow rates as high as 60 GPM and as low as 1.5 GPM, including mid-range flow between high and low.
- This high quality Apollo valve performs its function without requiring recirculation pumps like other systems in order to achieve low flow control.
- Integral strainers and checks are provided at the hot and cold supply inlets for greater reliability and performance.
- These cast bronze thermostatic mixing valves are manufactured to the same exacting standards that have made the Apollo name famous for durability and reliability.

#### STANDARD APPROVALS

##### ASSE 1069 - Automatic Temperature Control Mixing Valves

This device will control outlet water temperature to individual or multiple fixtures within  $3.6^\circ$ F to reduce the risk of scalding or thermal shock. This device is intended to be installed where the bather has no access to the temperature adjustment, and where no further mixing occurs downstream of the device.

The Apollo 34HL ATC will meet the performance requirements of ASSE 1069 at flow as low as 1.5 GPM up through maximum flow rate.

##### ASSE 1017 - Temperature Actuated Mixing Valves for Hot Water Distribution Systems

This device will control outlet set water temperature to hot water distribution systems near the hot water source within  $3^\circ$ F below 2 GPM and within  $5^\circ$ F above 5 GPM.

#### PRODUCT SPECIFICATIONS

Maximum Static Pressure	150 psig (1034 kpa)
Maximum Water Temperature	200° F (93° C)
Minimum ASSE 1017 Flow	0.5 gpm (1.9 lpm)
Minimum ASSE 1069 Flow	1.5 gpm (5.7 lpm)
Temperature Adjustment Range	90° F - 140° F
Maximum Inlet Pressure Differential	30 psi (207kpa)
Inlet Connection	1" NPT
Outlet Connection	1-1/4" NPT
Temperature Gauge	0-200°F
Pressure Gauge	0-160 psi
Shipping Weight	36 lbs

#### OPTIONS

34HL10517	Nickel plated
34HLBOX01	Cabinet, flush mount, SS
34HLBOX02	Cabinet, flush mount, CS powder coat
34HLBOX03	Cabinet, wall mount, SS
34HLBOX04	Cabinet, wall mount, CS powder coat

# COMMERCIAL PRODUCTS CATALOG

## Automatic Temperature Controller

### MVHL (34HL) SERIES (CONT.)

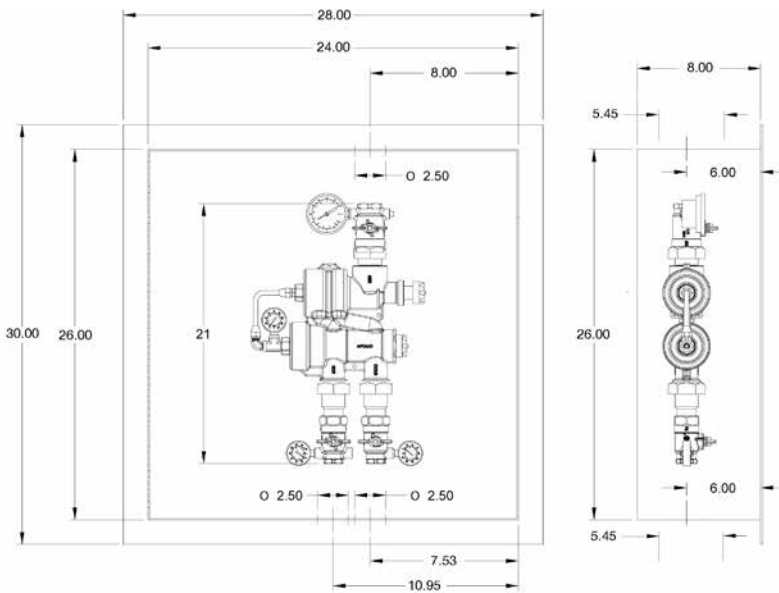
#### OPERATION

- The 34HL design is patented with a variable fluid flow assembly and dual thermal actuated controls for either low or high flow conditions.
- The passages are calibrated to control water temperature during all flow conditions without a “dead zone” between low and high flow.
- The 34HL also provides fluid shutoff as required by ASSE 1069 in the case that either the hot or cold supply lines fail (or are shut off for any reason) to prevent scalding or thermal shock.
- The valve can be tamper-resistant to limit the water temperature from exceeding safe conditions as required by ASSE 1069.
- The valve also meets the requirements of ASSE 1017 for Point of Source Applications.

This device will service end-use fixture fittings, including but not limited to, gang showers and sitz baths, by supplying tempered water at a preset temperature through a single supply pipe and will meet ASSE standard 1069 2005. ASSE 1069 devices are designed to reduce the risk of scalding and thermal shock during changes in hot or cold water supply pressure or temperature, or loss of cold water supply.

Model	Series	Min. Flow to ASSE 1069	Pressure Drop Across Valve			
			10 psi (69 kpa)	20 psi (138 kpa)	30 psi (207 kpa)	45 psi (310 kpa)
MVHL1	34HL10501	1.5 gpm	22 gpm	42 gpm	52 gpm	60 gpm
		6 lpm	83 lpm	159 lpm	197 lpm	227 lpm

Figure 1: Typical Valve Dimensions with Stainless Steel Recessed Cabinet Option



#### To order Repair Kits:

- Major (low side) – 34HL105RKL1
- O-Ring (low side) – 34HL105RKL2
- Handle – 34HL105RKH
- Major (high side) – 34HL105RKH1
- O-Ring (high side) – 34HL105RKH2

#### OPTIONS:

- 34HL10517 - Nickel plated automatic temperature controller
- 34HLBOX01 - Cabinet, flush mount, SS
- 34HLBOX02 - Cabinet, flush mount, CS powder coat
- 34HLBOX03 - Cabinet, wall mount, SS
- 34HLBOX04 - Cabinet, wall mount, CS powder coat

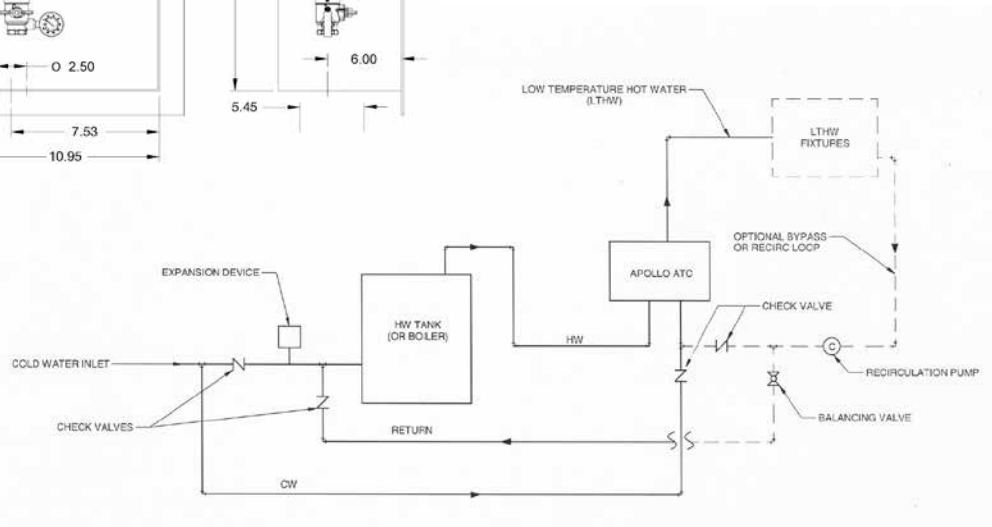
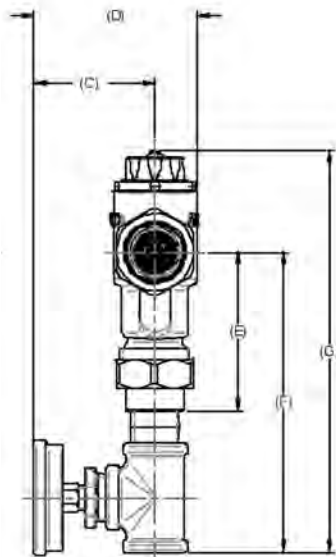
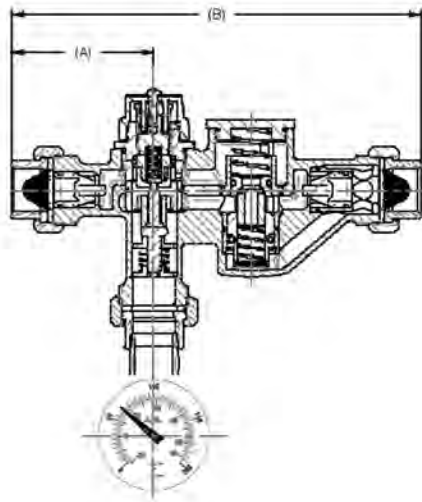


Figure 2: Typical Installation with Optional Recirculation Loop



## Emergency Eye Wash/Face Wash Mixing Valve

### MVE (34E) SERIES



### MVE 34E EMERGENCY MIXING VALVE

Designed to control the cold and hot water temperature to deliver tepid water at a predetermined temperature to emergency eyewash/facewash fixtures. The device provides a precise temperature and flow control in the event of cold water, hot water and thermostatic element failures.

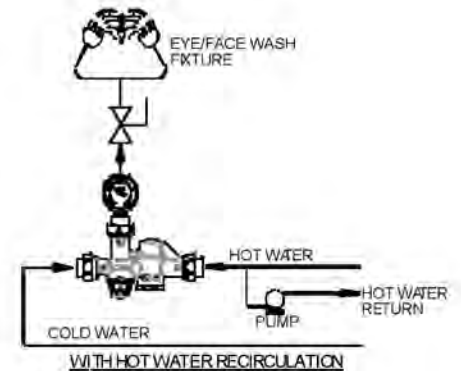
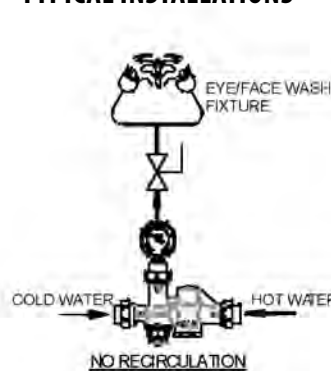
#### FEATURES

- Hot & cold water supply failure protection patented design
- Tepid water temperature limit control and adjustment
- Tepid water temperature adjustment handle with locking mechanism for tamper-resistant protection
- Integral inlet check valves and strainers
- Superior thermostatic element technology for optimum reliability and dependability
- Thermostatic element failure and over travel protection
- High efficiency and positive shut-off check valves
- In-line accessibility and serviceability of failure protection module and mixing valve internal components
- ASSE 1071 approved
- Meets ANSI/ISEA Z358.1-2009
- Meets requirements of the EPA Safe Drinking Water Act
- Corrosion resistant components
- **Lead Free** option (34ELF)

Model No.	MVE-12	MVES-12	MVE-34	MVES-34
Series No.	34E103T	34E103S	34E104T	34E104S
Series No. with Temp. Gauge	34E113T	34E113S	34E114T	34E114S
Connection	1/2" NPT	1/2" Solder	3/4" NPT	3/4" Solder
A (in.)	3.09	3.22	3.09	3.10
B (in.)	8.90	9.15	8.90	8.90
C (in.)	2.66	2.66	2.67	2.67
D (in.)	3.60	3.60	3.60	3.60
E (in.)	3.45	3.45	3.45	3.45
F (in.)	5.77	5.77	6.32	6.32
G (in.)	7.83	7.83	8.39	8.39
Unit Wt. (lbs.)	3.94	3.73	5.13	5.07

To order Repair Kits use part number 34E100RK.

#### TYPICAL INSTALLATIONS



# COMMERCIAL PRODUCTS CATALOG

# WATER PRESSURE REDUCING VALVES



# WATER PRESSURE REDUCING VALVES



*See Water Pressure Reducing Valves Catalog (PHBRWPRV) for more detailed information about the products in this section.*

# WATER PRESSURE REDUCING VALVES

## Water Pressure Reducing Valves

### PR (36) SERIES



### RESIDENTIAL AND COMMERCIAL APPLICATIONS

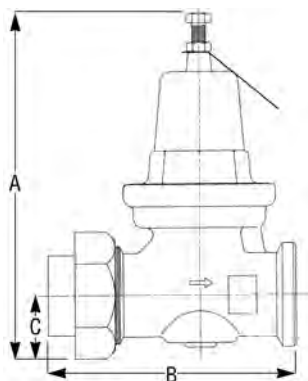
The Apollo® 36 pressure reducing valves reduce wasteful high supply pressures to lower manageable pressures. Factory set at 50 psig.

#### FEATURES

- Nitrile diaphragm (FDA grade) rated to 180°F Max.
- Corrosion resistant bronze body and cover construction
- No cage screws to rust
- Meets ASSE and CSA standards
- Listed with IAPMO
- Integral high-capacity SS strainer
- Maximum supply pressure 300 psi
- City of Los Angeles approved
- Replaceable cartridge
- Available in sizes from 1/2" to 2"
- Integral thermal expansion by-pass
- **Lead Free** option (36LF)
- **Made in USA**



Designate Lead Free by adding LF to Series No. (ex. 36LF-103-01)



Pipe Thread Union x FNPT	Solder Joint Union x FNPT	CPVC Union x FNPT	Size (in.)	Dimensions (in.)			Wt./100 (lbs.)
				A	B	C	
36-103-01	36-303-01		1/2	6.12	4.62	1.00	350
36-104-01	36-304-01	36-3C4-01	3/4	6.12	4.62	1.00	340
36-105-01	36-305-01	36-3C5-01	1	6.50	5.12	1.12	450
36-106-01	36-306-01		1-1/4	8.62	6.37	1.37	1020
36-107-01	36-307-01		1-1/2	8.62	6.62	1.37	1045
36-108-01	36-308-01		2	11.75	8.44	1.81	2250

FNPT x FNPT (no union)							
36-203-01			1/2	6.12	3.69	1.00	311
36-204-01			3/4	6.12	3.69	1.00	305
36-205-01			1	6.50	4.06	1.12	415
36-206-01			1-1/4	8.62	5.19	1.37	910
36-207-01			1-1/2	8.62	5.31	1.37	909
36-208-01			2	11.75	7.12	1.81	1880

Double Union FNPT x FNPT	Double Union Solder x Solder	Double Union CPVC x CPVC	Size (in.)	Dimensions (in.)			Wt./100 (lbs.)
				A	B	C	
36-403-01	36-503-01		1/2	6.12	5.81	1.00	389
36-404-01	36-504-01	36-5C4-01	3/4	6.12	5.81	1.00	372
36-405-01	36-505-01		1	6.50	6.50	1.12	495
36-406-01	36-506-01		1-1/4	8.62	7.69	1.37	1090
36-407-01	36-507-01		1-1/2	8.62	8.00	1.37	1183
36-408-01	36-508-01		2	11.75	10.06	1.81	2472
36-904-01	Pex x Pex		3/4	6.12	5.81	1.00	372
36-9C4-01	Union CPVC	Pex Union	3/4	6.12	5.81	1.00	372

### PART NUMBER MATRIX

36LF	X	X	X	X	X	X
CONNECTION	OPTIONS	SIZE	GAUGE	PRESSURE (ADJUSTABLE)	OPTION	
1 - Single Union NPT	0 - No Option	03 - 1/2"	0 - No Gauge	1 - 25-75 psig	PR - Press	
2 - No Union NPT	C - CPVC Tailpiece	04 - 3/4"	P - With Gauge Port	2 - 10-35 psig	(applies to models 36-20x and 36LF20x only)	
3 - Single Union Solder x NPT	S - Sealed Cage*	05 - 1"	G - With Gauge	3 - 75-125 psig		
4 - Double Union NPT	X - Pex Tailpiece	06 - 1-1/4"				
5 - Double Union Solder		07 - 1-1/2"				
6 - Single Union Meter x NPT		08 - 2"				
8 - Double Union CPVC						
9 - Double Union Pex						

\* S option = Sealed cage with stainless steel adjusting screw for vault installation.



See Water Pressure Reducing Valves Catalog (PHBRWPRV) for more detailed information about the products in this section.

Customer Service (704) 841-6000

# COMMERCIAL PRODUCTS CATALOG

## Water Pressure Reducing Valves

### PRC (36C) SERIES

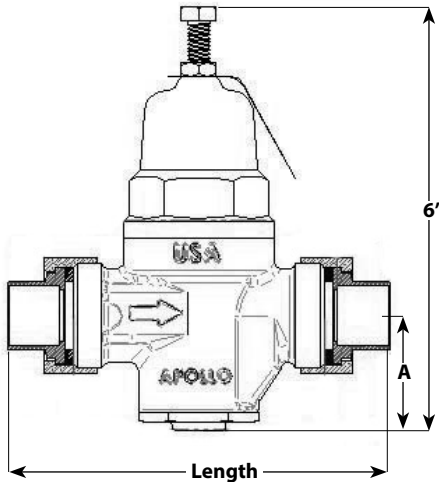


### RESIDENTIAL AND COMMERCIAL APPLICATIONS

The Apollo® 36C reduces wasteful high supply pressures to lower manageable pressures. All-bronze body, dielectric polymer cage, stainless steel strainer and trim. In line repairable with bottom access without disturbing pressure setting.

### FEATURES

- EPDM FDA grade diaphragm
- Standard factory setting: 50 psi
- Adjusts from 25 to 75 psi (standard)
- Sealed cage with stainless steel adjusting screw
- Balanced piston design
- Built-in thermal expansion by-pass
- Integral SS strainer
- 400 psi max. supply pressure
- Single or double union, female NPT, PEX, CPVC, Press, or solder-joint connections
- ASSE 1003 & CSA B356
- IAPMO listed
- City of Los Angeles approved
- **Lead Free** option (36CLF)
- **Made in USA**



Series Number	LF Series Number	Size (in.)	Dimensions (in.)		Wt./100 (lbs.)
			Length	A	
<b>FNPT Inlet x Outlet (no union)</b>					
36C-203	36CLF-203	1/2	3.50	1.62	200
36C-204	36CLF-204	3/4	3.50	1.62	200
36C-205	36CLF-205	1	3.75	1.50	225
<b>FNPT Union Inlet x FNPT Outlet</b>					
36C-103	36CLF-103	1/2	4.41	1.62	240
36C-104	36CLF-104	3/4	4.41	1.62	240
36C-105	36CLF-105	1	4.75	1.50	270
<b>Sweat Union Inlet x FNPT Outlet</b>					
36C-303	36CLF-303	1/2	4.41	1.62	240
36C-304	36CLF-304	3/4	4.75	1.62	240
36C-305	36CLF-305	1	4.41	1.50	270
<b>CPVC Union Inlet x FNPT Outlet</b>					
36C-304-01C	36CLF-304-01C	3/4	4.75	1.62	240
36C-305-01C	36CLF-305-01C	1	4.41	1.50	270
<b>Double Union/Threaded Inlet x Threaded Outlet</b>					
36C-403	36CLF-403	1/2	5.37	1.62	280
36C-404	36CLF-404	3/4	5.37	1.62	280
36C-405	36CLF-405	1	5.87	1.50	310
<b>Double Union/Sweat Inlet x Sweat Outlet</b>					
36C-503	36CLF-503	1/2	5.37	1.62	280
36C-504	36CLF-504	3/4	5.37	1.62	280
36C-505	36CLF-505	1	5.87	1.50	310
<b>Double Union CPVC Inlet x CPVC Outlet</b>					
36C-504-01C	36CLF-504-01C	3/4	5.37	1.62	280
36C-505-01C	36CLF-505-01C	1	5.87	1.50	310
<b>Double Union/Pex Inlet x Pex Outlet</b>					
36C-903	36CLF-903	1/2	5.625	1.62	280
36C-904	36CLF-904	3/4	5.625	1.62	280
36C-905	36CLF-905	1	6.125	1.62	285

### PART NUMBER MATRIX

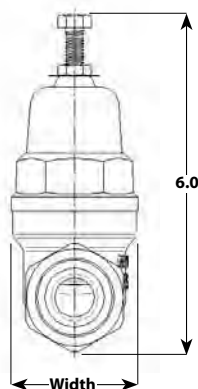
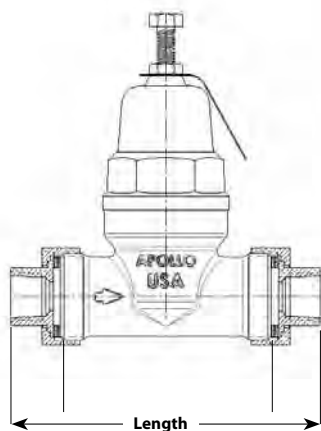
36C	36CLF	X	X	X	X	X
CONNECTION	SIZE	GAUGE	PRESSURE (ADJUSTABLE)	OPTION		
1 - Single Union NPT	03 - 1/2"	0 - No Gauge	1 - 25-75 psig	C - CPVC Tailpiece		
2 - No Union NPT	04 - 3/4"	P - With Gauge Port Plugged	2 - 10-35 psig	X - Extended Union		
3 - Single Union Solder x NPT	05 - 1"	G - With Gauge	3 - 75-125 psig	PR - Press		
4 - Double Union NPT						
5 - Double Union Solder						
6 - Single Union Meter						
9 - Double Union Pex						



# WATER PRESSURE REDUCING VALVES

## Water Pressure Reducing Valves

### PRE (36E) SERIES



### SUPER EFFICIENT RESIDENTIAL AND COMMERCIAL APPLICATIONS

The Apollo® 36E is designed to protect residential and commercial water supplies by automatically reducing elevated supply pressures. The streamlined dezincification resistant bronze body and dielectric polymer cage provide maximum corrosion resistance. Designed for easy in-line servicing with simple cartridge removal.

#### FEATURES

- High efficiency flow
- Balanced piston design
- Sealed cage for vault installations
- Built-in thermal expansion by-pass
- Integral stainless steel strainer
- SS adjusting screw and nut
- Control pressure ranges: 15-75 psi and 75-150 psi
- Maximum supply pressure: 400 psig
- Working temperature range: 33°F - 180°F
- **Lead Free** option (36ELF)
- 100% manufactured in USA

Designate Lead Free by adding **LF** to Series No. (ex. **36ELF-124-01S**)

Size	Connection	No Union Length (in.)	Single Union Length (in.)	Double Union Length (in.)	Width (in.)	WT. (Union) (lbs)
1/2	Thread	3.63	4.50	5.38	2.75	2.4
	Solder	3.63	4.50	5.50	2.75	2.4
	PEX	3.63	4.50	5.50	2.75	2.4
	CPVC	3.63	4.25	5.00	2.75	2.4
	XPress	5.6	4.6	5.48	2.75	2.4
	Push	5.7	N/A	N/A	2.75	2.4
3/4	Thread	3.63	4.50	5.50	2.75	2.4
	Solder	3.63	4.50	5.50	2.75	2.4
	PEX	3.63	4.63	5.63	2.75	2.4
	CPVC	3.63	4.50	5.50	2.75	2.4
	XPress	5.6	4.6	5.79	2.75	2.4
	Push	5.7	N/A	N/A	2.75	2.4
1	Thread	3.63	4.63	5.75	3.38	2.7
	Solder	3.63	4.63	5.75	3.38	2.7
	PEX	3.63	4.75	6.00	3.38	2.7
	CPVC	3.63	4.75	6.00	3.38	2.7
	XPress	5.8	4.6	5.91	3.38	2.7
	Push	5.8	N/A	N/A	3.38	2.7

Pipe Size (in.)	Fall Off (PSI)	Pressure Differential (PSI)		
		25	50	75
1/2"	10	10	13	16
	15	13	18	22
	20	17	23	29
	30	22	29	36
3/4"	10	16	21	26
	15	20	27	32
	20	24	32	40
	30	29	38	48
1"	10	25	33	41
	15	30	42	52
	20	34	45	56
	30	35	47	59

#### PART NUMBER MATRIX

36E						
36ELF -						
	1	X	X	X	X	
	STYLE	UNION	SIZE	PRESSURE	CONNECTION	
36E - Standard	0	- No Union NPT	3 - 1/2"	01 - 15-75 psig	T - FNPT Thread	
36ELF - Lead Free	1	- Single Union	4 - 3/4"	03 - 75-150 psig	S - Solder	
	2	- Double Union	5 - 1"		C - CPVC	
					P - Push	
					X - PEX	
					PR - Press	

#### EXAMPLES:

**36E-114-01T** = 3/4" Single Union with NPT Connections, Pressure Range 15-75 psig.  
**36E-124-01S** = 3/4" Double Union with Solder Connections, Pressure Range 15-75 psig.



See Water Pressure Reducing Valves Catalog (PHBRWPRV) for more detailed information about the products in this section.

Customer Service (704) 841-6000

# COMMERCIAL PRODUCTS CATALOG

## Water Pressure Reducing Valves

### PRH (36H) SERIES

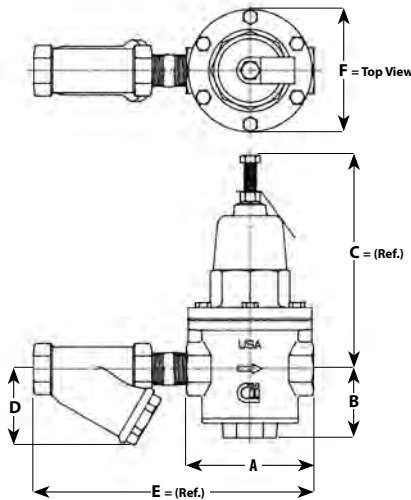


### HIGH FLOW DESIGN FOR LARGE COMMERCIAL APPLICATIONS

The Apollo® 36H reduces wasteful elevated supply pressures to a lower manageable pressure. Available with threaded or flange connections and optional rugged Y strainer.

#### FEATURES

- Approved to ASSE and CSA standards; listed with IAPMO
- Large yoke-type design aids flow and reduces pressure loss
- Initial pressure up to 400 psig
- Maximum temperature 180°F
- Integral by-pass relief protects against thermal expansion
- Bronze body & cage, stainless steel replaceable seat
- Sizes: 1/2", 3/4", 1", 1-1/4", 1-1/2", 2", & 3" NPT - threads (inlet and outlet): 2-1/2" & 3" also offered in 150 lb. flange
- Bottom access for easy inline repair
- Sealed cage is standard
- Stainless steel bolts, adjustment screws and spring
- **Lead Free** option (36HLF)
- Made in USA



Size (in.)	A (in.)	B (in.)	C (in.)	D (in.)	E (in.)	F (in.)	Wt. w Strainer (lbs.)	Wt. w/o Strainer (lbs.)
<b>NPT</b>								
1/2"	4.13	2.25	7.00	1.88	8.38	4.00	7.0	6.00
3/4"	4.13	2.25	7.00	2.44	9.00	4.00	8.0	6.00
1"	4.81	2.31	7.50	4.00	10.25	4.69	12.0	8.00
1-1/4"	6.75	3.81	10.00	3.38	12.50	6.50	29.0	24.00
1-1/2"	6.75	3.19	10.00	3.88	13.13	6.50	29.0	23.00
2"	8.13	3.50	12.50	4.63	16.00	7.63	47.0	38.00
2-1/2"	8.13	3.50	12.50	5.94	16.69	7.63	49.0	37.00
3"	10.38	3.94	15.13	6.94	20.50	9.75	87.0	70.00
<b>Flanged</b>								
2-1/2"	10.38	3.50	12.50	7.13	21.69	7.63	105.0	55.00
3"	12.50	3.94	15.13	8.13	24.50	9.75	136.0	92.00

### PART NUMBER MATRIX

36H			
36HLF - X	X	X	- OX
END CONNECTIONS	OPTIONS	SIZE	PRESSURE RANGE
2 - FNPT x FNPT (Standard)	0 - Standard	3 - 1/2"	01 - 25-75 psig (Standard)
7 - Flanged (2-1/2" - 3" only)	1 - With Y-Strainer	4 - 3/4"	02 - 10-35 psig
		5 - 1"	03 - 75-125 psig**
		6 - 1-1/4"	
		7 - 1-1/2"	
		8 - 2"	
		9 - 2-1/2"	** Can be adjusted to 75-165 psig
		0 - 3"	



# WATER PRESSURE REDUCING VALVES

## Water Pressure Reducing Valves

### A127 SERIES



### LARGE COMMERCIAL AND INDUSTRIAL APPLICATIONS

Apollo pilot control valves are ideal for a wide range of commercial and industrial applications, wherever the supply pressure needs to be reduced to a lower constant pressure.

Hydraulically operated diaphragm main valve automatically controls non-corrosive, non-abrasive fluids by means of a wide range of pilots.

### FEATURES

- Ductile Iron Body & Bonnet, ASTM A536 Grade 65-45-12
- NSF Epoxy coated
- Bronze / stainless steel internals
- EPDM elastomers 40°F - 180°F
- Lead Free components used throughout
- Lead Free wye strainer protects pilot system from debris
- Isolation ball valves simplify maintenance and trouble shooting
- Each valve is 100% factory tested and can be pre-set to your requirements
- Wide range of control pilots and functions
- Opening speed control is standard
- Automatically reduces a higher up stream pressure to a constant lower downstream pressure
- Constant outlet pressure regardless of variations in upstream pressure or flow
- Adjustable opening speed
- Pilot operated main valve is not subject to pressure fall-off
- Outlet pressure is adjustable with a single screw
- Optional low-flow bypass, Model A127-LF when wide extremes in flow demand are anticipated

### MATERIAL OPTIONS

- Carbon Steel
- Stainless Steel
- Bronze
- Aluminum
- Nickel aluminum bronze
- Viton and Buna-N elastomers
- Stainless steel pilots and tubing
- Stainless steel internals

Valve Sizes	
Globe Flanged	1 1/4" - 24"
Angle Flanged	1 1/4" - 16"
Globe / Angle Threaded	1 1/4" - 3"
Globe / Angle Grooved	1 1/2" - 4"
Service Ratings - Ductile Iron	
150# Flanged	250 psi MAWP
300# Flanged	640 psi MAWP
Threaded	640 psi MAWP
Grooved	300 psi MAWP

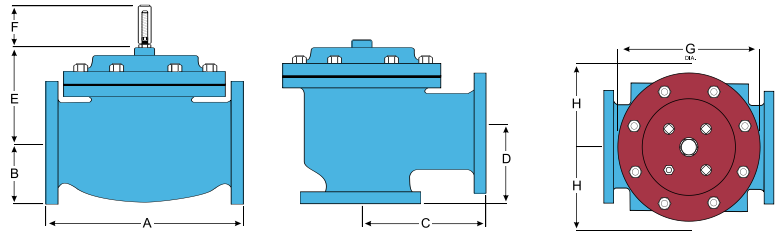
### OTHER CONTROL FUNCTIONS

A94	Diaphragm Check Valve
A108-2	Pressure Relief/Pressure Sustaining
A110	Differential Control
A115-2	Solenoid Control
A115-4	Solenoid Control/high capacity pilot
A120	Rate of Flow Control
A127LF/727LF	Low flow bypass
A800	Float Controlled On/Off Service
A810	Float Controlled, Modulating
A22 / A88	Digital Electronic Control, regulates pressure, flow or level

# COMMERCIAL PRODUCTS CATALOG

## Water Pressure Reducing Valves

### A127 SERIES (CONT.)



Size (in.)	End Connections A				End Connections C				End Connections D				E	H
	Screwed	Grooved	150# FLGD	300# FLGD	Screwed	Grooved	150# FLGD	300# FLGD	Screwed	Grooved	150# FLGD	300# FLGD		
1-1/4 - 1-1/2	8-3/4	8-3/4	8-1/2	8-3/4	4-3/8	4-3/8*	4-1/4	4-3/8	3-1/8	3-1/8*	3	3-1/8	6	10
2	9-7/8	9-7/8	9-3/8	9-7/8	4-3/4	4-3/4	4-3/4	5	3-7/8	3-7/8	3-7/8	4-1/8	6	11
2-1/2	10-1/2	10-1/2	10-1/2	11-1/8	6	6	6	6-3/8	4	4	4	4-3/8	7	11
3	13	13	12	12-3/4	6-1/2	6-1/2	6	6-3/8	4-1/2	4-1/2	4	4-3/8	6 1/2	11
4	—	15 1/4	15	15-5/8	—	7-5/8	7-1/2	7-13/16	—	5-5/8	5-1/2	5-13/16	8	12
6	—	—	17-3/4	18-5/8	—	—	10	10-1/2	—	—	6	6-1/2	10	13
8	—	—	25-3/8	26-3/8	—	—	12-11/16	13-3/16	—	—	8	8-1/2	11 7/8	14
10	—	—	29-3/4	31-1/8	—	—	14-7/8	15-9/16	—	—	11-3/8	12-1/16	15 3/8	17
12	—	—	34	35-1/2	—	—	17	17-3/4	—	—	11	11-3/4	17	18
14	—	—	39	40-1/2	—	—	—	—	—	—	—	—	18	20
16	—	—	40-3/8	42	—	—	20-13/16	21-5/8	—	—	15-11/16	16-1/2	19	20
24	—	—	62	63-3/4	—	—	—	—	—	—	—	—	27	28-1/2

\*Grooved End Not Available in 1-1/4"

For further information request catalog ACVBR9000

## Water Pressure Reducing Valves Accessories

### W-8078-00 SERIES

### PRESSURE GAUGES

These pressure gauges include a high pressure memory indicator that is used for testing water pressure. Temp. range: 50°F to 130°F.



W-8078-00



W-7793-00

Model Number	Connection	Pressure Range	Net Wt. (lbs.)
W-8078-00	3/4" hose thread	0-300 psig	.46
W-7793-00	1/4" NPT	0-160 psig	.70



# BACKFLOW PREVENTERS

# BACKFLOW PREVENTERS



*See Backflow Prevention Catalog (BFCA9000) for more detailed information about the products in this section.*

# BACKFLOW PREVENTERS

## Selection Guide

TYPE OF DEVICE	SERIES	APPLICATION				
		BACK SIPHONAGE	BACK PRESSURE	CONTINUOUS PRESSURE	AESTHETIC HAZARD	HEALTH HAZARD
DOUBLE CHECK VALVE	DC 4A, DC 4ALF DC 4An, DC 4AnLF DC 4S (10" only) DC 4SG	✓	✓	✓	✓	
DOUBLE CHECK DETECTOR ASSEMBLY	DCDA- 4A, DCDA 4ALF DCDA 4An, DCDA 4AnLF DCDA 4SG DCDA- 4S (10" only)	✓	✓	✓	✓	
REDUCED PRESSURE PRINCIPLE	RP 4A, RP 4ALF RP 40	✓	✓	✓	✓	✓
REDUCED PRESSURE PRINCIPLE (n & V Flow)	RP 4An, RP 4AnLF	✓	✓	✓	✓	✓
REDUCED PRESSURE PRINCIPLE (Stainless Steel)	RP 40-S	✓	✓	✓	✓	✓
REDUCED PRESSURE DETECTOR ASSEMBLY	RPDA 4A RPDA 4An RPDA 40	✓	✓	✓	✓	✓
ATMOSPHERIC VACUUM BREAKER	AVB1, AVB1LF AVB2	✓			✓	✓
PRESSURE VACUUM BREAKER	PVB 4A	✓		✓	✓	✓
SPILL RESISTANT PRESSURE VACUUM BREAKER	SVB 4W, SVB 4WLF	✓		✓	✓	✓
DUAL CHECK	DUC 4N DUC 4FP DUC40, DUC40LF	✓	✓	✓	✓	
DUAL CHECK W/ ATMOS. PORT	DCAP	✓	✓	✓	✓	
CARBONATED BEVERAGE BACKFLOW PREVENTER	CBBP	✓	✓	✓	✓	
HOSE CONNECTION VACUUM BREAKER	HBV2	✓	✓*		✓	✓
ANTI FREEZE HOSE CONN. VACUUM BREAKER	HBVAF2	✓	✓*		✓	✓
HOSE CONNECTION BACKFLOW PREVENTER	HBDUC	✓	✓*		✓	✓
LAB FAUCET VACUUM BREAKER	LFDUC	✓	✓		✓	

\* Limited back pressure to 10' head

\*\* Check with local authorities having jurisdiction

## Double Check Valve Backflow Preventers

### DC-4A SERIES



Sizes 1/2", 3/4", 1", 1-1/4", 1-1/2", 2"

### TOP ENTRY DOUBLE CHECK VALVE ASSEMBLY

The Apollo MODEL DC 4A Double Check Valves are designed to prevent contamination of the potable water supply due to back-siphonage or backpressure from substances that are objectionable, but non-health hazards. The modular check valve captured spring cartridges have replaceable seats and reversible silicone seat discs. Apollo ball valve shut-offs with stainless steel handles and nuts are standard.

#### FEATURES

- Low pressure loss
- Captured spring cartridge check valves
- Compact yet easy to maintain
- Apollo ball valves w/ SS handles & nuts standard
- Top access for fast testing and maintenance
- Threaded testcock protectors
- Corrosion resistant
- No special tools required
- 5 year, domestic warranty
- **Lead-Free** option (DC 4A LF)
- USC FCCCHR
- UL, ULC Classified
- ASSE 1015 (other approvals pending\*)
- IAPMO
- CSA
- Chloramine-resistant elastomers
- Patent pending
- Horizontal and vertical up approvals
- Maximum working pressure 175 psi
- Temperature range 33°F - 180°F
- Designed, manufactured, assembled and tested in South Carolina, USA

\* Contact factory for approval details



See Backflow Prevention Catalog (BFCA9000) for more detailed information about the products in this section.

Customer Service (704) 841-6000

## Double Check Valve Assemblies

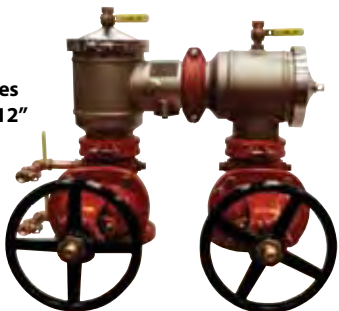
### DC 4A AND DC 4An SERIES



DC 4A Series  
Sizes 2-1/2"-12"



DC 4An Series  
Sizes 2-1/2"-12"



Optional Valve Setter



TriForce™ Check

### DOUBLE CHECK VALVE ASSEMBLIES

The Apollo® DC 4A and DC 4An Double Check Valves are designed to prevent contamination of the potable water supply due to back-siphonage or backpressure from substances that are objectionable, but non-health hazards. The TriForce™ center stem guided check valves feature replaceable and reversible silicone seat discs. The body is stainless steel from 2-1/2"-8" and FDA epoxy coated ductile iron in the 10" and 12". Available with a wide variety of shutoff valve options. The DC4An normally vertical up/vertical down oriented body incorporates an internal swivel connection providing the ability to pivot the second check.

#### FEATURES

- Stainless steel body: 2-1/2"-8"
- FDA epoxy coated ductile iron body: 10" & 12"
- Easy maintenance - no special tools required
- Low pressure loss as documented by ASSE or USC FCCC&HR
- **Lead-Free** option (DC 4A LF)
- Chloramine-resistant elastomers
- ASSE 1015 (other approvals pending)\*
- UL, ULC Classified\*
- FM approved\*
- Maximum working pressure 175 psi
- Temperature range 33°F - 140°F, 180°F intermittent
- US Patent Nos. 6,443,184; 7,025,085; 7,533,699
- Made in the USA
- 5 year, domestic warranty
- 4A- Approved for horizontal and vertical up flow\*
- 4An - Small installation space required - small footprint

\* Contact factory for approval details

### DC 4SG SERIES



DC 4SG Series  
Sizes 2-1/2", 3", 4", 6", 8", 10"

### DOUBLE CHECK VALVE ASSEMBLY

The Apollo® DC 4SG Series Double Check Valve is designed to prevent contamination of the potable water supply due to back-siphonage or backpressure from substances that are non-health hazards. The modular check valves have replaceable seats and reversible EPDM seat discs. Grooved connections\* on an epoxy-coated ductile iron body allow for easy connection to butterfly valves or gate valves.

#### FEATURES

- Short lay length
- Low pressure loss
- Modular check valves
- Reversible/replaceable seat discs
- Approved for vertical (up) and horizontal installations
- Gate valves epoxy coated (FDA)
- Corrosion resistant epoxy-coated ductile iron body
- ASSE 1015
- CSA
- USC FCCCHR
- AWWA C-510
- UL Classified
- FM approved
- US Patents #5,711,341 and #6,343,618

\* 10" internal body has flanged connections

# BACKFLOW PREVENTERS

## Double Check Detector Assemblies

### DCDA 4A AND DCDA 4An SERIES



DCDA 4A Series  
Sizes 2-1/2"-12"



DCDA 4An Series  
Sizes 2-1/2"-12"



Optional Valve Setter



TriForce™ Check

### DOUBLE CHECK DETECTOR ASSEMBLY

The Apollo® DCDA 4A and DCDA 4An Double Check Detector Assemblies are designed to prevent contamination of the potable water supply due to back-siphonage or backpressure from substances that are objectionable, but non-health hazards. The TriForce™ center stem guided check valves feature replaceable and reversible silicone seat discs. The by-pass assembly serves to accurately measure water use of up to 2 GPM. Available in a wide variety of shut-off options. The DCDA 4An normally vertical up/vertical down oriented body incorporates an internal swivel connection providing the ability to pivot the second check. The grooved connections on the bodies from 2-1/2" to 10" allow for easy connection to butterfly or gate shut-off valves. The 12" DCDA 4An has flanged connections for gate shut-off valves.

### FEATURES

- Stainless steel body: 2-1/2"-8"
- FDA epoxy coated ductile iron body: 10" & 12"
- Easy maintenance - no special tools required
- Low pressure loss as documented by ASSE or USC FCCC&HR
- **Lead-Free** option (DCDA 4A LF)
- Chloramine-resistant elastomers
- ASSE 1048 (other approvals pending)\*
- UL, ULC Classified
- FM approved\*
- DCDA 4A - CSA 864.5
- Maximum working pressure 175 psi
- Temperature range 33°F - 140°F, 180°F intermittent
- US Patent Nos. 6,443,184; 7,025,085; 7,533,699
- Made in the USA
- 5 year, domestic warranty
- Optional mounting of bypass on either side for ease of installation
- DCDA 4An - Approved for horizontal and vertical up flow\*
- DCDA 4An - Small installation space required - small footprint
- DCDA 4An - Optional valve setters eliminate need for thrust blocks below grade

\* Contact factory for approval details

### DCDA 4SG SERIES



DCDA 4SG Series  
Sizes 2-1/2", 3", 4", 6", 8", 10"

### DCDA 4SG SERIES DOUBLE CHECK DETECTOR ASSEMBLY

The Apollo® DCDA 4SG Series Double Check Detector Assembly is designed to prevent contamination of the potable water supply due to back-siphonage or backpressure from substances that are non-health hazards. The device consists of a mainline double check valve with resilient seated shut-off valves. The by-pass serves to accurately measure water use of up to 3 gpm. Grooved connections\* on an epoxy-coated ductile iron body allow for easy connection to butterfly valves or gate valves.

### FEATURES

- Short lay length
- Low pressure loss
- Reversible/replaceable seat discs
- Approved for vertical and horizontal installations
- **Lead-Free** option (2-1/2" - 6" only)
- Gate valves epoxy coated (FDA)
- Corrosion resistant FDA epoxy-coated ductile iron body
- UL Classified
- FM approved
- USC FCCCHR
- ASSE 1048
- CSA
- US Patents #5,711,341 and #6,343,618

\* 10" internal body has flanged connections

# COMMERCIAL PRODUCTS CATALOG

## Reduced Pressure Backflow Preventers

### RP 4A SERIES



**RP 4A Series**  
Sizes 1/2", 3/4", 1", 1-1/4", 1-1/2", 2"

### REDUCED PRESSURE PRINCIPLE

The Apollo Series RP 4A Reduced Pressure Principle Backflow Preventer is designed to give maximum protection against backflow caused by either back-pressure or back-siphonage from substances that are hazardous. The durable but economical device is easily maintained in the line with modular check cartridge assemblies that require no special tools. It consists of two independently acting spring-loaded check valves with an automatic differential relief valve located between the check valves. All testcocks are mounted at the top of the unit to assure easy access during repair and maintenance when unit is installed in tight places.

### FEATURES

- Maximum protection against back-pressure/back-siphonage
  - Modular check valve cartridges w/easily replaced parts
  - Reversible/removable chloramine-resistant silicone seat discs
  - Low head pressure loss
  - Top mounted test cocks
  - Threaded testcock protectors
  - Internal sensing passage
  - ASSE 1013 (other approvals pending)
  - CSA B64.4
  - **Lead-Free** option (RP 4A LF)
  - Available with APOLLOXPRESS press connections
  - UL Classified (less shut-offs)
  - USC FCCHR \*
  - Standard with Apollo® full port ball valves with stainless steel handles
  - Corrosion resistant
  - Maximum working pressure 175 psig
  - Operating temperature range 33°F-180°F
  - Horizontal installation approvals on 1/2" through 2"
  - Designed, manufactured, assembled and tested in South Carolina, USA
  - 5 year, domestic warranty
- \* Contact factory for approval details

### RP 40S SERIES



**RP 40S Series**  
Sizes 1/4", 3/8", 1/2", 3/4", 1"

### STAINLESS STEEL REDUCED PRESSURE PRINCIPLE BACKFLOW PREVENTER

The Apollo Series RP 40S Stainless Steel Reduced Pressure Principle Backflow Preventer is designed to give maximum protection against backflow caused by either backpressure or back-siphonage from a cross-connection wherein a contaminant hazard exists (i.e. a health hazard), or a pollutant hazard exists (i.e. a non-hazard). The assembly is composed of two spring-loaded poppet type check valves and a mechanically independent, hydraulically dependent pressure differential relief valve set in an integral stainless steel body. Three of the testcocks are mounted at the top to assure easy access during repair and maintenance when unit is installed in tight places.

### FEATURES

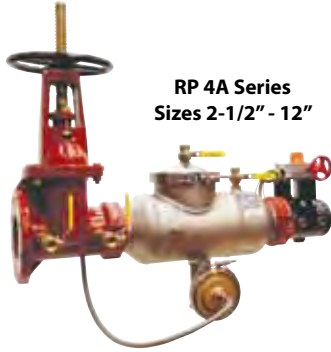
- Stainless steel body and covers
- Easy to install and repair
- Internal sensing passage
- Low head loss
- Reversible/Removable seat discs
- Replaceable seats
- Comes standard with Apollo® stainless steel full port ball valves with stainless steel handles
- **Lead-Free** option (Standard)
- Maximum working pressure 175 psig
- Temperature range 33°F-180°F
- USC FCCCHR
- ASSE 1013
- CSA
- Designed, manufactured, assembled and tested in South Carolina, USA
- 5 year, domestic warranty



# BACKFLOW PREVENTERS

## Reduced Pressure Backflow Preventers

### RP 4A AND RP 4An SERIES



RP 4A Series  
Sizes 2-1/2" - 12"

RP 4An Series  
n Flow



RP 4An Series  
Vertical Up Flow



Optional Valve Setter



TriForce™ Check

### REDUCED PRESSURE PRINCIPLE BACKFLOW PREVENTERS

The Apollo® RP 4A and RP 4An Reduced Pressure Principle Backflow Preventers consist of two independently acting, TriForce™ center stem guided check valves with a differential pressure relief valve located between the check valves. These units are designed to give maximum protection against backflow of health or non-health hazard fluids by either back-pressure or back-siphonage. The durable stainless steel units (2-1/2"-8") and the FDA epoxy coated ductile iron units (10" and 12") are easily maintained in the line without any special tools. The TriForce™ check valves operate with a spring assist in the flowing condition to provide excellent flow rates which are documented by ASSE or USC FCCC&HR approval curves. The RP 4An normally vertical up/vertical down oriented body incorporates an internal swivel connection providing the ability to pivot the second check 180° to a vertical up/vertical up flow.

#### FEATURES

- Stainless steel body: 2-1/2"-8"
- FDA epoxy coated ductile iron body: 10" & 12"
- Easy maintenance - no special tools required
- Low pressure loss as documented by ASSE or USC FCCC&HR
- RP-4A - Approved for horizontal flow\*
- RP-4An - Small installation space required - small footprint
- Chloramine-resistant elastomers
- **Lead-Free** option (RP 4A LF)
- ASSE 1013
- (other approvals pending)\*
- UL, ULC Classified
- FM approved
- Maximum working pressure 175 psi
- Temperature range 33°F - 140°F, 180°F intermittent
- US Patent Nos. 6,443,184; 7,025,085; 7,533,699
- Made in the USA
- Optional Air Gap Drains
- Optional valve setters eliminate need for thrust blocks between elbows
- 5 year, domestic warranty

\* Contact factory for approval details

### RP 40 SERIES



RP 40 Series  
Sizes 2-1/2", 3", 4", 6", 8", 10"

### REDUCED PRESSURE PRINCIPLE

The Apollo Series 40 RP Reduced Pressure Backflow Preventer consists of two independently acting, spring-loaded center stem guided check valves with a differential pressure relief valve located between the check valves. The all bronze relief valve module is easily removed from the ductile iron check valve body. Pressure sensing passages are built into the bronze relief valve module to prevent possible damage from mishandling or vandalism. The unit is available with inlet and outlet shutoff valves. Four test cocks, three on the backflow preventer valve body and one on the inlet shutoff valve, complete the assembly.

#### FEATURES

- Maximum protection against back-pressure/back-siphonage
- Designed for easy maintenance
- Maximum working pressure 175 psig
- Gate valves epoxy coated (FDA)
- Horizontal installation approvals
- Operating temperature range 33°F -140°F
- UL Classified
- FM approved
- USC FCCCHR
- ASSE 1013
- CSA
- AWWA 511
- Designed, manufactured, assembled and tested in South Carolina, USA
- 5 year, domestic warranty



See Backflow Prevention Catalog (BFCA9000) for more detailed information about the products in this section.

Customer Service (704) 841-6000

# COMMERCIAL PRODUCTS CATALOG

## Reduced Pressure Detector Assemblies

### RPDA 4A AND RPDA 4An SERIES



RPDA 4A Series  
Type 2 Bypass  
(Standard)



RPDA 4An Series



RPDA 4An Series  
Sizes 2-1/2"-12"



Optional Valve Setter



TriForce™ Check

### REDUCED PRESSURE DETECTOR ASSEMBLIES

The Apollo® RPDA 4A and RPDA 4An Reduced Pressure Detector Assemblies consists of two independently acting, TriForce™ center stem guided check valves with a differential pressure relief valve located between the check valves. These units are designed to give maximum protection against backflow of health or non-health hazard fluids by either back-pressure or back-siphonage and at the same time detect leakage or unauthorized use of water from fire or automatic sprinkler systems. The durable stainless steel units (2-1/2" to 8") and the FDA epoxy coated ductile iron units (10" and 12") are easily maintained in line without any special tools. The TriForce™ check valves operate with a spring assist in the flowing condition to provide low flow rates which are documented by ASSA or USC FCCC&HR approval curves. The RPDA 4An normally vertical up/vertical down oriented body incorporates an internal swivel connection providing the ability to pivot the second check 180° to a vertical up/vertical up flow.

#### FEATURES

- Stainless steel body: 2-1/2"-8"
- FDA epoxy coated ductile iron body: 10" & 12"
- Easy maintenance - no special tools required
- Low pressure loss as documented by ASSE or USC FCCC&HR
- Approved for horizontal flow\*
- ASSE 1047 (other approvals pending)\*
- RPDA 4An - Small installation space required - small footprint
- **Lead-Free** option (RPDA 4A LF)
- UL, ULC Classified
- FM approved\*
- Maximum working pressure 175 psi
- Temperature range 33°F - 140°F, 180°F intermittent
- Optional air gap drains
- US Patent Nos. 6,443,184; 7,025,085; 7,533,699
- Made in the USA
- 5 year, domestic warranty
- Optional mounting of bypass on either side for ease of installation

\* Contact factory for approval details

### RPDA 40 SERIES



Sizes 3", 4", 6", 8", 10"

### REDUCED PRESSURE DETECTOR ASSEMBLY

The Apollo Series RPDA 40 Reduced Pressure Detector Assembly is designed to provide reduced pressure principle protection against cross-connections that present a health hazard, and at the same time detect leakage or unauthorized use of water from fire or automatic sprinkler systems. The mainline unit consists of two independent spring-loaded, poppet type check valve assemblies with a diaphragm actuated and spring-loaded, relief valve assembly located between check valves. Two resilient wedge gate valves and four test cocks complete the mainline unit. The by-pass consists of an approved reduced pressure assembly, four test cocks, two shut-off valves and a water meter.

#### FEATURES

- Maximum protection against back-pressure/back-siphonage
- Easy in-line maintenance and testing
- Maximum working pressure 175 psig
- 5 year, domestic warranty
- Horizontal installation approvals
- Operating temp. range 33°F-140°F
- UL Classified
- FM approved
- USC FCCCHR
- ASSE1047
- CSA
- Designed, manufactured, assembled and tested in SC, USA

# BACKFLOW PREVENTERS

## Pressure Vacuum Breaker Backflow Preventers

### PVB 4A SERIES



Sizes 1/2", 3/4", 1", 1-1/4", 1-1/2", 2"

### 4A FREEZE RESISTANT PRESSURE VACUUM BREAKER

The Apollo Model PVB 4A Pressure Vacuum Breakers are designed to prevent contamination of potable water due to back-siphonage. An integral relief valve serves to reduce the possibility of damage due to intermittent freezing conditions. The modular check valve cartridge has a replaceable seat and a reversible silicone seat disc. Apollo ball valves with stainless steel handles and nuts are standard.

#### FEATURES

- Modular cartridge check valve
- Low pressure loss
- Built-in freeze resistant relief valve
- Compact yet easy to maintain
- Apollo ball valves w/SS handles & nuts standard
- Test cocks located for easy draining
- Threaded testcock protectors
- Corrosion resistant
- 5 year, domestic warranty
- No special tools required
- Unique canopy detachment
- Patent pending
- ASSE 1020 (1/2" - 1"), other approvals pending
- USC FCCCHR 1/2", 3/4", 1"
- Easy maintenance
- Maximum operating pressure 150 psi
- Design pressure 300 psi
- Temperature range 33°F - 140°F
- MADE IN THE USA

# COMMERCIAL PRODUCTS CATALOG

## Vacuum Breaker Backflow Preventers

### AVB1/AVB2 SERIES



**AVB1**  
Sizes 1/4", 3/8", 1/2", 3/4",  
1", 1-1/4", 1-1/2", 2"



**AVB2**  
Sizes 1/4", 3/8", 1/2",  
3/4"  
(Optional Polished  
Chrome Finish  
Shown)

### ATMOSPHERIC TYPE VACUUM BREAKERS

The Apollo Series Atmospheric Type Vacuum Breakers are designed to prevent back-siphonage of polluted water into a potable water system. They should only be installed in areas where spillage of water could not cause damage and where it can be accessible for periodic maintenance. These devices are not designed for continuous pressure application. Should be installed a minimum of 6" above all downstream piping with no downstream shutoffs.

#### FEATURES

- Corrosion resistant
- Bronze body (AVB1)
- Forged Body (AVB2)
- Suitable for hot or cold water service: (up to 212°F at 125 psig) for up to 1" (up to 180°F at 125 psig) for 1-1/4" thru 2"
- **Lead-Free** option on AVB1/38-100 Series
- Heat resistant silicone seat disc
- Rough brass, rough chrome, or polished chrome finish
- Easy to maintain
- Compact and lightweight
- Durable
- ASSE1001

## Spill Resistant Vacuum Breaker Backflow Preventers

### SVB 4W SERIES



Sizes 1/4", 3/8", 1/2"

### SPILL RESISTANT VACUUM BREAKERS

The Apollo Series SVB 4W Spill Resistant Vacuum Breaker is designed to prevent contamination of the potable water supply due to back-siphonage. The SVB is ideally suited for continuous pressure, indoor applications where water spillage is undesirable. The device has a straight through flow path for minimal head loss. All components are easily accessible for easy repair and maintenance. All components are made of corrosion resistant materials for years of reliable service. Should be installed 6" above all downstream piping.

#### FEATURES

- Corrosion Resistant
- In-Line Flow
- Integral Shut-Off Valves w/ Stainless Steel Handles and Nuts
- Threaded testcock protectors
- Designed For Easy Maintenance
- **Lead-Free** option
- Economical
- Low Head Loss
- Maximum Working Pressure 150 psig
- Operating Temperature Range 33°F-180°F
- ASSE 1056
- 5 year, domestic warranty

# BACKFLOW PREVENTERS

## Dual Check Backflow Preventers

### DUC-4N SERIES



Dimensions (In.) – Weight (Lbs.)

### DUAL CHECK VALVE

The Apollo DUC-4N Series Dual Check Valve Backflow Preventer is designed to prevent cross-connections of non-potable water (non-hazardous) into safe drinking water systems. It is a compact and economical device that consists of two independently-acting, spring-loaded check valves in a corrosion-resistant material.

### FEATURES

- Low Head Loss
- Independently-acting Check Valves
- Compact and Lightweight
- Corrosion Resistant
- Replaceable Check Modules
- Industry Lay Lengths
- **Lead-Free** option (DUCLF 4N)
- Available in Standard and Swivel Types
- Maximum Working Pressure 175 psi
- Operating Temperature Range 33°F-180°F
- ASSE1024
- CSA B64.6
- 5 year, domestic warranty

## Dual Check Backflow Preventers

### DUC 4FP SERIES



### FIRE PROTECTION DUAL CHECK VALVE

The Apollo DUC 4FP Series Dual Check Backflow Preventer for Residential Fire Sprinkler Systems prevents backflow by either backpressure or backsiphonage from a cross-connection between potable water lines and substances that are objectionable, but not health-hazards.

### FEATURES

- Low Pressure Loss
- Corrosion Resistant
- Replaceable Check Modules
- Pressure drop at 30 gpm is less than 6 psi
- Complies with NFPA Standard 13D
- 5 year, domestic warranty
- Maximum Supply Pressure 175 psi
- Temperature Range 33°F - 180°F
- ASSE 1024
- UL Classified
- CSA B64.6
- Made in the USA

## Carbonated Beverage Backflow Preventers

### CBBP SERIES



Sizes 1/4", 3/8"

### CARBONATED BEVERAGE BACKFLOW PREVENTER

The Apollo CBBP Series Carbonated Beverage Backflow Preventer (CBBP) is designed to prevent the contamination of the potable water supply due to backflow when installed on water distribution lines serving beverage dispensing equipment. The device consists of two independently acting check valves biased to a normally closed position. A normally open atmospheric port is located between the check valves. During backflow conditions, the port vents gases and/or liquids. Additionally, the CBBP is equipped with a 100 mesh integral strainer screen at the inlet. All wetted areas of the device are non-toxic, corrosion resistant, and approved for use with potable water. The CBBP is suitable for supply pressures to 150 psig and water temperatures from 33° to 130° F.

#### FEATURES

- Compact Design
- Lowest head loss
- Atmospheric vent provides indication of problems
- Integral strainer for equipment protection
- **Lead Free** standard
- Available in SAE & NPT connections
- Repairable check assemblies
- Non-metallic body for corrosion resistance
- CSA Certified to ANSI/NSF-61
- ASSE1022
- 5 year, domestic warranty

## Dual Check Backflow Preventers

### DUC 40 SERIES



Sizes 1/2", 3/4", 1"

### DUAL CHECK VALVE

The Apollo Series DUC 40 Dual Check Valve prevents backflow by either backpressure or back-siphonage resulting from a cross-connection between potable water lines and substances that are objectionable, but not health-hazards.

#### FEATURES

- In-line repairable
- Low pressure loss
- Corrosion resistant
- Compact and lightweight
- Independently-acting check valves
- ASSE 1024
- CSA B64.6
- Available in standard and swivel types
- **Lead-Free** option (DUCLF 40)
- MADE IN THE USA
- 5 year, domestic warranty

#### PERFORMANCE RATING

Maximum Operating Pressure 175 psi

Temperature Range 33° F - 180° F

#### APPROVALS

ASSE® 1024 and CSA® B64.6

# BACKFLOW PREVENTERS

## Dual Check w/Atmospheric Port Backflow Preventers

### DCAP SERIES



Sizes 1/2", 3/4"

### DUAL CHECK WITH ATMOSPHERIC PORT BACKFLOW PREVENTER

The Apollo DCAP Series Backflow Preventer is designed to protect residential and commercial water supply lines from back-siphonage or back-pressure of non-potable (non-hazardous) substances. It has an intermediate atmospheric vent to insure protection from backflow conditions. It consists of two independently acting and spring-loaded check valves in a corrosion resistant material.

#### FEATURES

- Corrosion resistant
- Low head loss
- Independently acting check valves
- Ease of repair and installation
- Economical
- Suitable for hot or cold water service
- Durable
- Maximum working pressure 175 psig
- ASSE 1012
- CSA
- Inlet temperature range 33°F-210°F
- 5 year, domestic warranty
- Maximum backflow temperature 250°F

## Freeze Protection Valve

### FPV SERIES



### FREEZE PROTECTION VALVE

The Apollo Series FPV Freeze Protection Valve protects backflow preventers from freezing when installed in accordance with manufacturer's instructions. All internal parts of the Freeze Protection Valve are replaceable.

#### FEATURES

- Installs easily on all backflow preventers
- Ease of repair with available repair kit
- 175 psig maximum operating pressure
- Corrosion resistant
- 1/4" male pipe thread inlet port
- Available with 1/8" male x 1/4" female test cock
- Discharge port accommodates 5/8" I.D. hose
- **Lead-Free** option (FPVLF)
- Mechanical operating principle
- Nominal start to open temperature of 35°F
- Maximum temperature of 180°F
- Compact design
- Patented design
- IAPMO listed
- US patent #6,374,849
- 5 year, domestic warranty

# COMMERCIAL PRODUCTS CATALOG

## Hose Connection Vacuum Breakers Backflow Preventers

### HBV2 SERIES



Optional Satin Chrome Finish (shown)

3/4"  
Apollo International

### 3/4" HOSE CONNECTION VACUUM BREAKERS

Apollo's HBV Hose Connection Vacuum Breakers are designed to prevent cross-connection caused by back-siphonage. They consist of a single check valve with atmospheric vacuum breaker vent. They feature a break-away set-screw for tamper-proof protection. They are not suitable for continuous pressure applications.

#### FEATURES

- Maximum Working Pressure 125 psig
- Maximum Temperature 180°F.
- ASSE1011
- CSA B64.2

### HBVAF2 SERIES



3/4"  
Apollo International

### 3/4" ANTI-FREEZE HOSE CONNECTION VACUUM BREAKERS

The Apollo Series HBVB Anti-Freeze Hose Connection Vacuum Breaker is especially designed to prevent back-siphonage on wall and yard hydrants. It features a break-away set-screw for tamper-proof protection and automatic drain for protection against freezing conditions when hose is removed. It is not suitable for continuous pressure applications.

#### FEATURES

- Maximum Working Pressure 125 psig
- Maximum Temperature 180°F.
- ASSE1011

## Hose Connection Dual Check /Lab Faucet Dual Check Backflow Preventers

### HBDUC SERIES



38-304-02  
Size 3/4"

### 3/4" HOSE CONNECTION DUAL CHECK

The Apollo Series HBDUC is designed to provide an in-line testable hose connection that will prevent backflow due to back-siphonage or low head back-pressure. Each device consists of two independent checks, forced loaded in the closed position with an atmospheric vent between the checks. The device is threaded for hose connection at both the inlet and outlet with a break-away set screw on the inlet for tamper proof installations. These devices are not suitable for continuous pressure applications.

#### FEATURES

- Corrosion resistant body and checks
- Low Head loss
- Easy to install with break-away set screw
- Protects against back siphonage and low-head back pressure
- ASSE1052

### LFDUC SERIES



Sizes 1/4", 3/8"

### LABORATORY FAUCET DUAL CHECK BACKFLOW PREVENTER

The Apollo Series LFDUC is designed to provide protection against back-siphonage wherever a hose is connected to a faucet. The device consists of two independently acting checks with an intermediate relief port or vent. It is suitable for supply pressure up to 150 psig and a temperature range of 33°F-212°F. Not suitable for constant pressure conditions.

#### FEATURES

- Corrosion resistant
- Forged brass body
- Suitable for hot or cold water service up to 212°F and 125 psi
- Easy to maintain
- Polished (-CP2 and -CP3 are rough brass only)
- Compact and lightweight
- ASSE 1035



# BACKFLOW PREVENTERS

## Accessories – Backflow Preventers

### DIFFERENTIAL PRESSURE GAUGE TEST KITS



The Apollo Backflow Preventer Test Kits are compact, lightweight and portable testing devices. They come equipped with a gauge, hoses (with integral filters) and all required adapter fittings. Also included is a flexible or adjustable strap for hanging the gauge, laminated test procedures and a molded plastic carrying case with foam inserts.

#### TK3

These are three-valve test kits used for testing all DCV, RPZ, PVB & SVB backflow preventers.

- Differential pressure type with a dual scale of 0-15 psid/0-100kPa differential pressure range with a  $\pm 0.2$  psig (Descending) accuracy. Maximum working pressure 200 psig.

#### TK5

This is a five-valve test kit used for testing all DCV, RPZ, PVB & SVB backflow preventers. The five valve test kit is similar to the three valve kit except it has two additional valves that make it possible to bleed lines without disconnecting hoses.

Factory No.	Model No.	Application	Wt./Ea
40-200-TKU	TK3	ALL DCV, RPZ, PVB & SVB	6.5
40-200-TKSU	TK5	ALL DCV, RPZ, PVB & SVB	6.5

### TFK SERIES TEST KIT FITTING



Brass fitting which installs onto Backflow Preventer Test Cocks by hand. No tools required. No Teflon® tape to deal with. Provides quicker testing. Sets of three fittings with o-rings for 1/4" SAE connections to the test kits. Packaged in a reclosable plastic bag.

Size	Factory No.	Model No.	Backflow Application
1/4" SAE x 1/4" NPT	40-000-TFK	TFK14	1/4" - 2"
1/4" SAE x 1/2" NPT	40-001-TFK	TFK12	2-1/2" - 6"
1/4" SAE x 3/4" NPT	40-002-TFK	TFK34	8" - 12"
Set of all 3 sizes	40-003-TFK	TFKSET	1/4" - 12"

### HCPG SERIES PRESSURE GAUGE



#### 3/4" HOSE CONNECTION PRESSURE GAUGE

The Apollo Hose Connection Pressure Gauge is designed to measure water pressure through a 3/4" hose thread connection. It consists of an indicator needle to determine maximum pressure.

Ordering No. - W807800 Model No. - HCPG

#### FEATURES

- 2-1/2" face dial
- 0 - 300 psig pressure range
- Swivel type 3/4" hose connection
- Adjustable indicator needle
- Temperature range = 50°F - 130°F
- Wt./Ea. 46 Lbs.

### ST1 SERIES SIGHT TUBE



#### ST1 SERIES SIGHT TUBE

Used in USC testing procedures. The kit allows for visual inspection during testing, provides an extension to the check valve body and offers quick connection with the 90° elbow. Provides means to static test double check backflow preventers.

Ordering No. - 40-200-ST Model No. - ST1

# COMMERCIAL PRODUCTS CATALOG

## Accessories – Backflow Preventers

### 40 200 BV BLEED VALVE



### BLEED VALVE

Test valve used to provide accurate readings in field test of the Double Check Valve backflow preventers. Recommended in USC testing procedures. Benefits include quick connections, quick bleed off of testing lines and useful in tight locations.

### VALVE SETTERS



Apollo Valve 4An Setters are specifically designed to match the mounting dimensions of the 4An products. The three-piece configuration simplifies installation and eliminates the need for thrust blocks between the elbows. All hardware is stainless steel and the entire unit is FDA Epoxy coated inside and out. The mechanical joint connections are to AWWA C153 and the flanges are to ANSI B16.1 Class 125.

### MODEL RP 40 & RP 4A BACKFLOW PREVENTERS



### AIR GAP DRAIN

For installation with Conbraco's RP 40, RPDA 40, RP 4A, RPDA 4A, RP 4An, and RPDA 4An Series Reduced Pressure Principle backflow preventers.

The Apollo Air Gap Drain (AGD) is designed to funnel minor relief valve discharges, due to line pressure fluctuations and /or minor check valve fouling, into the drainage system. Drain piping is easily attached to the drain's threaded bottom.

*Note: The AGD is designed to collect expected minor discharges due to fouled checks or pressure fluctuations but not the full discharge capacity of the relief valve.*



# GATE, GLOBE & CHECKS

# GATE, GLOBE & CHECKS



*See Gate, Globe & Check Valves Catalog (GGC9000)  
or Check Valve Catalog (PHBRCHV) for more detailed  
information about the products in this section.*



# GATE, GLOBE & CHECKS

## Bronze Gate Valves – Made in USA



### MODEL 101S



Meets MSS SP-80 standard  
ASTM B62 bronze materials  
MSS SP-139 lead free option (CWP only)

### CLASS 125 SOLDER END RISING STEM GATE VALVE

#### FEATURES

- Threaded Bonnet
- Solid Bronze Disc
- 200 CWP
- 125 SWP
- Max. Temp: 406°F
- **Lead Free** option (NSF 61/NSF 372)

Series Number	LF Series Number	NPS	Length (in.)	Height (in.)	Weight (lb.)
30-001-01	30LF-001-01	1/4	1.76	4.57	0.80
30-002-01	30LF-002-01	3/8	1.76	4.51	0.77
30-003-01	30LF-003-01	1/2	2.03	4.85	1.00
30-004-01	30LF-004-01	3/4	2.07	5.71	1.30
30-005-01	30LF-005-01	1	2.45	6.71	2.16
30-006-01	30LF-006-01	1 1/4	2.63	8.10	3.20
30-007-01	30LF-007-01	1 1/2	2.88	9.08	4.36
30-008-01	30LF-008-01	2	3.06	11.28	7.01
30-009-01	30LF-009-01	2 1/2	4.13	14.58	13.79
30-000-01	30LF-000-01	3	4.48	19.07	17.70

Length is measured from end to end. Height is measured from centerline to top of wheel in full open position.

### MODEL 101T



Meets MSS SP-80 standard  
ASTM B62 bronze materials  
MSS SP-139 lead free option (CWP only)

### CLASS 125 NPT END RISING STEM GATE VALVE

#### FEATURES

- Threaded Bonnet
- Solid Bronze Disc
- 200 CWP
- 125 SWP
- Max. Temp: 406°F
- **Lead Free** option (NSF 61/NSF 372)

Series Number	LF Series Number	NPS	Length (in.)	Height (in.)	Weight (lb.)
30-083-01	30LF-083-01	1/2	1.88	4.85	1.00
30-084-01	30LF-084-01	3/4	2.43	5.71	1.30
30-085-01	30LF-085-01	1	2.96	6.71	2.20
30-086-01	30LF-086-01	1 1/4	3.14	8.10	3.20
30-087-01	30LF-087-01	1 1/2	3.44	9.08	4.40
30-088-01	30LF-088-01	2	4.11	11.28	7.00
30-089-01	30LF-089-01	2 1/2	4.79	14.58	13.80
30-080-01	30LF-080-01	3	5.43	19.07	17.70

Length is measured from end to end. Height is measured from centerline to top of wheel in full open position.

### MODEL 102S



Meets MSS SP-80 standard  
ASTM B62 bronze materials  
MSS SP-139 lead free option (CWP only)

### CLASS 125 SOLDER END NON RISING STEM GATE VALVE

#### FEATURES

- Threaded Bonnet
- Solid Bronze Disc
- 200 CWP
- 125 SWP
- Max. Temp: 406°F
- **Lead Free** option (NSF 61/NSF 372)

Series Number	LF Series Number	NPS	Length (in.)	Height (in.)	Weight (lb.)
30-043-01	30LF-043-01	1/2	1.88	3.56	0.85
30-044-01	30LF-044-01	3/4	2.43	4.05	1.19
30-045-01	30LF-045-01	1	2.96	4.55	1.98
30-046-01	30LF-046-01	1 1/4	3.14	5.14	2.80
30-047-01	30LF-047-01	1 1/2	3.44	6.02	3.95
30-048-01	30LF-048-01	2	4.11	7.09	5.88
30-049-01	30LF-049-01	2 1/2	4.79	9.11	12.19
30-040-01	30LF-040-01	3	5.43	12.61	16.84

Length is measured from end to end. Height is measured from centerline to top of wheel in full open position.



See Gate, Globe & Check Catalog (GGC9000) for more detailed information about the products in this section.

Customer Service (704) 841-6000

# COMMERCIAL PRODUCTS CATALOG

## Bronze Gate Valves – Made in USA



### MODEL 102T



Meets MSS SP-80 standard  
ASTM B62 bronze materials  
MSS SP-139 lead free option (CWP only)

### CLASS 125 NPT NON RISING STEM GATE VALVE

#### FEATURES

- Threaded Bonnet
- Solid Bronze Disc
- 200 CWP
- 125 SWP
- **Lead Free** option (NSF 61/NSF 372)

Series Number	LF Series Number	NPS	Length (in.)	Height (in.)	Weight (lb.)
30-031-01	30LF-031-01	1/4	1.76	3.29	0.74
30-032-01	30LF-032-01	3/8	1.76	3.29	0.71
30-033-01	30LF-033-01	1/2	2.03	3.56	0.85
30-034-01	30LF-034-01	3/4	2.07	4.05	1.19
30-035-01	30LF-035-01	1	2.45	4.55	1.98
30-036-01	30LF-036-01	1 1/4	2.63	5.14	2.80
30-037-01	30LF-037-01	1 1/2	2.88	6.02	3.95
30-038-01	30LF-038-01	2	3.06	7.09	5.88
30-039-01	30LF-039-01	2 1/2	4.13	9.11	12.19
30-030-01	30LF-030-01	3	4.48	12.61	16.84

Length is measured from end to end. Height is measured from centerline to top of wheel in full open position.

### MODEL 102T-K



Meets MSS SP-80 standard  
ASTM B62 bronze materials

### CLASS 125 NPT NON RISING STEM IRRIGATION GATE VALVE

#### FEATURES

- Threaded Bonnet
- Solid Bronze Disc
- Cross-Handle (irrigation)
- 200 CWP
- 125 SWP
- SS Stem Nut

Series Number	NPS	Length (in.)	Height (in.)	Weight (lb.)
30-033-01K	1/2	2.03	3.56	0.85
30-034-01K	3/4	2.07	4.05	1.19
30-035-01K	1	2.45	4.55	1.98
30-036-01K	1 1/4	2.63	5.14	2.80
30-037-01K	1 1/2	2.88	6.02	3.95
30-038-01K	2	3.06	7.09	5.88
30-039-01K	2 1/2	4.13	9.11	12.19
30-030-01K	3	4.48	12.61	16.84

Length is measured from end to end. Height is measured from centerline to top of wheel in full open position.

### MODEL 103T



Meets MSS SP-80 standard  
ASTM B62 bronze materials

### CLASS 125 NPT RISING STEM GATE VALVE

#### FEATURES

- Union Bonnet
- Solid Bronze Disc
- 200 CWP
- 125 SWP

Series Number	NPS	Length (in.)	Height (in.)	Weight (lb.)
30-051-01	1/4	1.76	4.57	0.90
30-052-01	3/8	1.76	4.51	0.86
30-053-01	1/2	2.03	4.85	1.07
30-054-01	3/4	2.07	5.71	1.43
30-055-01	1	2.45	6.71	2.44
30-056-01	1 1/4	2.63	8.10	3.71
30-057-01	1 1/2	2.88	9.08	4.89
30-058-01	2	3.06	11.28	7.53
30-059-01	2 1/2	4.96	14.58	15.33
30-050-01	3	4.48	19.07	19.56

Length is measured from end to end. Height is measured from centerline to top of wheel in full open position.

# GATE, GLOBE & CHECKS

## Bronze Gate Valves – Made in USA



### MODEL 106T



Meets MSS SP-80 standard  
ASTM B62 bronze materials

### CLASS 150 NPT NON RISING STEM GATE VALVE

#### FEATURES

- Threaded Bonnet
- Solid Bronze Disc
- 300 CWP
- 150 SWP

Series Number	NPS	Length (in.)	Height (in.)	Weight (lb.)
30-281-01	1/4	1.76	3.29	0.74
30-282-01	3/8	1.76	3.29	0.71
30-283-01	1/2	2.03	3.56	0.98
30-284-01	3/4	2.07	4.05	1.21
30-285-01	1	2.45	4.55	1.98
30-286-01	1 1/4	2.63	5.14	2.80
30-287-01	1 1/2	2.88	6.02	4.06
30-288-01	2	3.06	7.09	5.88
30-289-01	2 1/2	4.13	9.11	12.19
30-280-01	3	4.48	12.61	16.90

Length is measured from end to end. Height is measured from centerline to top of wheel in full open position.

### MODEL 107T



Meets MSS SP-80 standard  
ASTM B62 bronze materials

### CLASS 150 NPT RISING STEM GATE VALVE

#### FEATURES

- Union Bonnet
- Solid Bronze Disc
- 300 CWP
- 150 SWP

Series Number	NPS	Length (in.)	Height (in.)	Weight (lb.)
30-201-01	1/4	1.76	4.57	0.90
30-202-01	3/8	1.76	4.51	0.86
30-203-01	1/2	2.03	4.85	1.07
30-204-01	3/4	2.07	5.71	1.43
30-205-01	1	2.45	6.71	2.50
30-206-01	1 1/4	2.63	8.10	3.69
30-207-01	1 1/2	2.88	9.13	5.01
30-208-01	2	3.06	11.28	7.53
30-209-01	2 1/2	4.13	14.58	15.33
30-200-01	3	4.48	16.90	19.56

Length is measured from end to end. Height is measured from centerline to top of wheel in full open position.

### MODEL 111T AND MODEL 116T



Model 116T Available December 2012  
Meets MSS SP-80 standard  
ASTM B61 bronze materials

### CLASS 300 NPT RISING STEM GATE VALVE

#### FEATURES

- Union Bonnet
- Solid Bronze Disc
- Model 116T has Type 316 SS Seats
- 1000 CWP
- 300 SWP

Series Number	SS Seat Series Number	NPS	Length (in.)	Height (in.)	Weight (lb.)
30-443-01	30-453-01	1/2	2.31	4.97	1.40
30-444-01	30-454-01	3/4	2.56	6.22	2.30
30-445-01	30-455-01	1	2.89	6.94	3.50
30-446-01	30-456-01	1 1/4	3.01	8.29	5.10
30-447-01	30-457-01	1 1/2	3.05	9.28	6.80
30-448-01	30-458-01	2	3.08	11.37	9.60

Length is measured from end to end. Height is measured from centerline to top of wheel in full open position.



See Gate, Globe & Check Catalog (GGC9000) for more detailed information about the products in this section.

Customer Service (704) 841-6000

# COMMERCIAL PRODUCTS CATALOG

## Iron Gate Valves – Apollo International™

### MODEL 610F



### CLASS 125 FLANGED GATE VALVE

#### FEATURES

- Compatible with ANSI 125# & 150# Flanges
- Full Port
- Bronze Mounted Seat Rings
- Solid Wedge
- Adjustable Graphite Stem Packing
- Non-Rising Stem
- Bolted Bonnet
- Back Seat Protection

#### STANDARDS

##### MSS SP-70

"Gray Iron Gate Valves Flanged and Threaded"

##### ASME B16.10

"Face-to-Face and End-to-End Dimensions of Valves"

Series Number	NPS	Length (in.)	Height (in.)	Weight (lb.)
6GA-108-B1	2	7.00	14.57	36.0
6GA-109-B1	2 1/2	7.50	16.34	48.0
6GA-100-B1	3	8.00	18.90	59.0
6GA-10A-B1	4	9.00	20.67	104
6GA-10B-B1	5	10.00	24.61	150
6GA-10C-B1	6	10.50	28.74	192
6GA-10E-B1	8	11.50	32.48	260
6GA-10G-B1	10	13.00	37.40	434
6GA-10H-B1	12	14.00	43.31	606
6GA-10J-B1	14	15.00	37.01	926
6GA-10K-B1	16	16.00	42.52	1098
6GA-10M-B1	18	17.00	46.46	1543
6GA-10N-B1	20	18.00	54.33	1638
6GA-10P-B1	24	20.00	57.48	2756

Length is measured from end to end. Height is measured from centerline to top of wheel in full open position.

NOTE: Flat face mating flanges and full face gaskets must be installed to avoid damage to the cast iron body.

### MODEL 620F



### CLASS 250 FLANGED GATE VALVE

#### FEATURES

- Compatible with ANSI 250# & 300# Flanges
- Full Port
- Bronze Mounted Seat Rings
- Solid Wedge
- Adjustable Graphite Stem Packing
- Non-Rising Stem
- Flanged Connection
- Bolted Bonnet
- Rugged Iron Hand Wheel
- Back Seat Protection

#### STANDARDS

##### MSS SP-70

"Gray Iron Gate Valves Flanged and Threaded"

##### ASME B16.10

"Face-to-Face and End-to-End Dimensions of Valves"

Series Number	NPS	Length (in.)	Height (in.)	Weight (lb.)
6GA-208-B1	2	8.50	11.28	42.0
6GA-209-B1	2 1/2	9.50	12.72	55.0
6GA-200-B1	3	11.00	13.31	66.0
6GA-20A-B1	4	12.00	16.18	115
6GA-20B-B1	5	15.00	19.80	161
6GA-20C-B1	6	16.00	22.00	205
6GA-20E-B1	8	16.50	25.59	278
6GA-20G-B1	10	18.00	30.31	456
6GA-20H-B1	12	19.75	33.90	633

Length is measured from end to end. Height is measured from centerline to top of wheel in full open position.

NOTE: Class 250 flanges and flanged fittings have a 0.06 inch raised face in accordance with MSS SP-6.



# GATE, GLOBE & CHECKS

## Iron Gate Valves – Apollo International™

### MODEL 611F



### CLASS 125 FLANGED OS&Y GATE VALVE

#### FEATURES

- Compatible with ANSI 125# & 150# Flanges
- Full Port
- Bronze Mounted Seat Rings
- Solid Wedge
- Adjustable Graphite Stem Packing
- Outside Screw and Yoke
- Bolted Bonnet

- Back Seat Protection

#### STANDARDS

##### MSS SP-70

"Gray Iron Gate Valves Flanged and Threaded"

##### ASME B16.10

"Face-to-Face and End-to-End Dimensions of Valves"

Series Number	NPS	Length (in.)	Height (in.)	Weight (lb.)
6GA-118-B1	2	7.00	14.96	38.0
6GA-119-B1	2 1/2	7.50	16.93	51.0
6GA-110-B1	3	8.00	19.09	62.0
6GA-11A-B1	4	9.00	24.21	110
6GA-11B-B1	5	10.00	27.56	154
6GA-11C-B1	6	10.50	32.87	203
6GA-11E-B1	8	11.50	37.76	284
6GA-11G-B1	10	13.00	48.03	459
6GA-11H-B1	12	14.00	56.50	637
6GA-11J-B1	14	15.00	65.16	966
6GA-11K-B1	16	16.00	71.85	1135
6GA-11M-B1	18	17.00	79.53	1753
6GA-11N-B1	20	18.00	90.16	2238
6GA-11P-B1	24	20.00	132.28	3197

Length is measured from end to end. Height is measured from centerline to top of wheel in full open position.

NOTE: Flat face mating flanges and full face gaskets must be installed to avoid damage to the cast iron body.

### MODEL 621F



### CLASS 250 FLANGED OS&Y GATE VALVE

#### FEATURES

- Compatible with ANSI 250# & 300# Flanges
- Full Port
- Bronze Mounted Seat Rings
- Solid Wedge
- Adjustable Graphite Stem Packing
- Outside Screw and Yoke
- Flanged Connection
- Bolted Bonnet

- Back Seat Protection

#### STANDARDS

##### MSS SP-70

"Gray Iron Gate Valves Flanged and Threaded"

##### ASME B16.10

"Face-to-Face and End-to-End Dimensions of Valves"

Series Number	NPS	Length (in.)	Height (in.)	Weight (lb.)
6GA-218-B1	2	7.00	14.96	44.0
6GA-219-B1	2 1/2	7.50	16.93	57.0
6GA-210-B1	3	8.00	19.09	71.0
6GA-21A-B1	4	9.00	24.21	121
6GA-21B-B1	5	10.00	27.56	165
6GA-21C-B1	6	10.50	32.87	216
6GA-21E-B1	8	11.50	39.76	302
6GA-21G-B1	10	13.00	48.03	481
6GA-21H-B1	12	14.00	56.50	642

Length is measured from end to end. Height is measured from centerline to top of wheel in full open position.

NOTE: Class 250 flanges and flanged fittings have a 0.06 inch raised face in accordance with MSS SP-6.

# COMMERCIAL PRODUCTS CATALOG

## Bronze Globe Valves – Made in USA



### MODEL 120S



Meets MSS SP-80 standard  
ASTM B62 bronze materials

### CLASS 125 SOLDER ENDS GLOBE VALVE

#### FEATURES

- Threaded Bonnet
- PTFE Disc
- 200 CWP
- 125 SWP
- Max. Temp: 353°F

Model Number	NPS	Length (in.)	Height (in.)	Weight (lb.)
33-143-01	1/2	2.97	3.47	1.00
33-144-01	3/4	3.83	4.75	1.90
33-145-01	1	4.57	5.40	2.80
33-146-01	1 1/4	5.95	7.80	7.30
33-147-01	1 1/2	5.95	7.80	6.80
33-148-01	2	7.18	8.43	10.60

Length is measured from end to end. Height is measured from centerline to top of wheel in full open position.

### MODEL 120T



Meets MSS SP-80 standard  
ASTM B62 bronze materials

### CLASS 125 NPT GLOBE VALVE

#### FEATURES

- Threaded Bonnet
- PTFE Disc
- 200 CWP
- 125 SWP

Model Number	NPS	Length (in.)	Height (in.)	Weight (lb.)
33-132-01	3/8	2.39	3.37	1.00
33-133-01	1/2	2.70	3.47	1.10
33-134-01	3/4	3.20	4.75	1.90
33-135-01	1	3.75	5.40	3.00
33-136-01	1 1/4	4.74	7.78	7.30
33-137-01	1 1/2	4.74	7.78	7.00
33-138-01	2	5.72	8.43	10.70

Length is measured from end to end. Height is measured from centerline to top of wheel in full open position.

### MODEL 121T



Meets MSS SP-80 standard  
ASTM B62 bronze materials  
MSS SP-139 lead free option (CWP only)

### CLASS 125 NPT GLOBE VALVE

#### FEATURES

- Threaded Bonnet
- Bronze Disc
- 200 CWP
- 125 SWP
- Lead Free option (NSF 61/NSF 372)

Series Number	LF Series Number	NPS	Length (in.)	Height (in.)	Weight (lb.)
33-161-01	33LF-161-01	1/4	2.39	3.46	1.00
33-162-01	33LF-162-01	3/8	2.39	3.46	1.00
33-163-01	33LF-163-01	1/2	2.70	3.56	1.10
33-164-01	33LF-164-01	3/4	3.20	4.75	1.90
33-165-01	33LF-165-01	1	3.75	5.40	3.00
33-166-01	33LF-166-01	1 1/4	4.74	7.78	7.30
33-167-01	33LF-167-01	1 1/2	4.74	7.78	7.00
33-168-01	33LF-168-01	2	5.72	8.43	11.00

Length is measured from end to end. Height is measured from centerline to top of wheel in full open position.

# GATE, GLOBE & CHECKS

## Bronze Globe Valves – Made in USA



### MODEL 122T



Meets MSS SP-80 standard  
ASTM B62 bronze materials

### CLASS 150 NPT GLOBE VALVE

#### FEATURES

- Union Bonnet
- PTFE Disc
- 300 CWP
- 150 SWP

Series Number	NPS	Length (in.)	Height (in.)	Weight (lb.)
33-221-01	1/4	2.39	4.23	1.40
33-222-01	3/8	2.39	4.23	1.40
33-223-01	1/2	2.70	4.31	1.40
33-224-01	3/4	3.20	4.89	2.20
33-225-01	1	3.75	5.40	3.50
33-226-01	1 1/4	4.74	7.79	7.70
33-227-01	1 1/2	4.74	7.79	7.40
33-228-01	2	5.20	8.76	12.40
33-229-01	2 1/2	6.60	10.07	18.80
33-220-01	3	7.74	11.39	25.50

Length is measured from end to end. Height is measured from centerline to top of wheel in full open position.

### MODEL 127T



Meets MSS SP-80 standard  
ASTM B61 bronze materials

### CLASS 300 NPT GLOBE VALVE

#### FEATURES

- Union Bonnet
- Bronze Disc and Seat
- 1000 CWP
- 300 SWP

Series Number	NPS	Length (in.)	Height (in.)	Weight (lb.)
33-663-01	1/2	2.70	5.40	1.78
33-664-01	3/4	3.20	5.86	2.28
33-665-01	1	4.00	6.71	4.22
33-666-01	1 1/4	5.25	8.50	8.30
33-667-01	1 1/2	5.25	8.50	8.10
33-668-01	2	6.25	9.75	13.00

Length is measured from end to end. Height is measured from centerline to top of wheel in full open position.

### MODEL 128T



Meets MSS SP-80 standard  
ASTM B61 bronze materials

### CLASS 300 NPT GLOBE VALVE

#### FEATURES

- Union Bonnet
- Type 420 Stainless Steel Disc and Seat Ring
- 1000 CWP
- 300 SWP

Series Number	NPS	Length (in.)	Height (in.)	Weight (lb.)
33-743-01	1/2	2.70	5.40	1.78
33-744-01	3/4	3.20	5.86	2.28
33-745-01	1	4.00	6.71	4.22
33-746-01	1 1/4	5.25	8.50	8.30
33-747-01	1 1/2	5.25	8.50	8.10
33-748-01	2	6.25	9.75	13.00

Length is measured from end to end. Height is measured from centerline to top of wheel in full open position.



See Gate, Globe & Check Catalog (GGC9000) for more detailed information about the products in this section.

Customer Service (704) 841-6000

# COMMERCIAL PRODUCTS CATALOG

## Iron Globe Valves – Apollo International™

### MODEL 711F



#### CLASS 125 FLANGED GLOBE VALVE FEATURES

- Compatible with ANSI 125# & 150# Flanges
- Full Port
- Bronze Mounted Seat Rings
- Positive Shut-Off
- Throttling Capabilities
- Adjustable Graphite Stem Packing
- Outside Screw and Yoke
- Bolted Bonnet
- Back Seat Protection

#### STANDARDS

##### MSS SP-85

"Gray Iron Globe & Angle Valves  
Flanged & Threaded Ends"

##### ASME B16.10

"Face-to-Face and End-to-End  
Dimensions of Valves"

Series Number	NPS	Length (in.)	Height (in.)	Weight (lb.)
6GB-118-B1	2	8.00	11.61	36.0
6GB-119-B1	2 1/2	8.50	12.99	49.0
6GB-110-B1	3	9.50	14.37	64.0
6GB-11A-B1	4	11.50	15.75	94.0
6GB-11B-B1	5	13.00	17.72	137
6GB-11C-B1	6	14.00	20.67	195
6GB-11E-B1	8	19.50	23.43	315
6GB-11G-B1	10	24.50	26.97	485

Length is measured from end to end. Height is measured from centerline to top of wheel in full open position.

*NOTE: Flat face mating flanges and full face gaskets must be installed to avoid damage to the cast iron body.*

### MODEL 721F



#### CLASS 250 FLANGED GLOBE VALVE FEATURES

- Compatible with ANSI 250# & 300# Flanges
- Full Port
- Bronze Mounted Seat Rings
- Positive Shut-Off
- Throttling Capabilities
- Adjustable Graphite Stem Packing
- Outside Screw and Yoke
- Flanged Connection
- Bolted Bonnet
- Rugged Iron Hand Wheel
- Back Seat Protection

#### STANDARDS

##### MSS SP-85

"Gray Iron Globe & Angle Valves  
Flanged & Threaded Ends"

##### ASME B16.10

"Face-to-Face and End-to-End  
Dimensions of Valves"

Series Number	NPS	Length (in.)	Height (in.)	Weight (lb.)
6GB-218-B1	2	10.50	14.17	40.8
6GB-219-B1	2 1/2	11.50	15.75	52.9
6GB-210-B1	3	12.50	16.93	70.5
6GB-21A-B1	4	14.00	18.90	99.2
6GB-21B-B1	5	15.75	20.87	137
6GB-21C-B1	6	17.50	23.62	203
6GB-21E-B1	8	21.00	27.56	333

Length is measured from end to end. Height is measured from centerline to top of wheel in full open position.

*NOTE: Class 250 flanges and flanged fittings have a 0.06 inch raised face in accordance with MSS SP-6.*

# GATE, GLOBE & CHECKS

## Bronze Swing Check Valves – Made in USA



### MODEL 161S



Meets MSS SP-80 standard  
ASTM B62 bronze materials  
MSS SP-139 lead free option (CWP only)

### CLASS 125 BRONZE DISC SWING CHECK

#### FEATURES

- Y-Pattern
- Solder Ends
- Metal Seat
- 200 CWP
- 125 SWP
- **Lead Free** option (NSF 61/NSF 372)

Model Number	LF Model Number	NPS	Length (in.)	Height (in.)	Weight (lb.)
61Y-093-01	61YLF-093-01	1/2	2.53	1.65	0.62
61Y-094-01	61YLF-094-01	3/4	3.36	1.90	0.91
61Y-095-01	61YLF-095-01	1	4.07	2.26	1.70
61Y-096-01	61YLF-096-01	1 1/4	4.68	2.65	2.00
61Y-097-01	61YLF-097-01	1 1/2	5.28	2.99	2.70
61Y-098-01	61YLF-098-01	2	6.50	3.74	4.90
61Y-099-01	not available	2 1/2	8.30	5.11	9.70
61Y-090-01	not available	3	9.58	6.05	15.00

Height is measured from centerline to top of unit.

### MODEL 161T



Meets MSS SP-80 standard  
ASTM B62 bronze materials  
MSS SP-139 lead free option (CWP only)

### CLASS 125 BRONZE DISC SWING CHECK

#### FEATURES

- Y-Pattern
- NPT
- Metal Seat
- 200 CWP
- 125 SWP
- **Lead Free** option (NSF 61)

Model Number	LF Model Number	NPS	Length (in.)	Height (in.)	Weight (lb.)
61Y-191-01	61YLF-191-01	1/4	2.14	1.51	0.64
61Y-192-01	61YLF-192-01	3/8	2.14	1.51	0.62
61Y-193-01	61YLF-193-01	1/2	2.48	1.65	0.73
61Y-194-01	61YLF-194-01	3/4	2.94	1.90	1.06
61Y-195-01	61YLF-195-01	1	3.57	2.26	1.70
61Y-196-01	61YLF-196-01	1 1/4	4.50	2.99	3.30
61Y-197-01	61YLF-197-01	1 1/2	4.50	2.99	3.10
61Y-198-01	61YLF-198-01	2	5.25	3.74	5.50
61Y-199-01	not available	2 1/2	8.00	5.11	11.70
61Y-190-01	not available	3	9.24	6.05	17.80

Height is measured from centerline to top of unit.

### MODEL 162T



Meets MSS SP-80 standard  
ASTM B62 bronze materials

### CLASS 125 VITON® DISC SWING CHECK

#### FEATURES

- Y-Pattern
- NPT
- Elastomer Seat
- 200 CWP
- 125 SWP

Model Number	NPS	Length (in.)	Height (in.)	Weight (lb.)
61Y-201-V1	1/4	2.14	1.51	0.64
61Y-202-V1	3/8	2.14	1.51	0.62
61Y-203-V1	1/2	2.48	1.65	0.73
61Y-204-V1	3/4	2.94	1.90	1.06
61Y-205-V1	1	3.57	2.26	1.70
61Y-206-V1	1 1/4	4.50	2.99	3.30
61Y-207-V1	1 1/2	4.50	2.99	3.10
61Y-208-V1	2	5.25	3.74	5.40

Height is measured from centerline to top of unit.



See Gate, Globe & Check Catalog (GGC9000) for more detailed information about the products in this section.

Customer Service (704) 841-6000

# COMMERCIAL PRODUCTS CATALOG

## Bronze Swing Check Valves – Made in USA



### MODEL 163S



### 200 CWP PTFE DISC SWING CHECK

#### FEATURES

- Y-Pattern
- Solder
- PTFE Soft Seat
- 200 CWP
- 125 SWP
- **Lead Free** option (NSF 61/NSF 372)

Series Number	LF Series Number	NPS	Length (in.)	Height (in.)	Weight (lb.)
61Y-103-T1	61YLF-103-T1	1/2	2.53	1.65	0.62
61Y-104-T1	61YLF-104-T1	3/4	3.36	1.90	0.91
61Y-105-T1	61YLF-105-T1	1	4.07	2.26	1.70
61Y-106-T1	61YLF-106-T1	1 1/4	5.28	2.99	3.20
61Y-107-T1	61YLF-107-T1	1 1/2	5.28	2.99	2.70
61Y-108-T1	61YLF-108-T1	2	6.50	3.74	4.90

Height is measured from centerline to top of unit.

Meets MSS SP-80 standard  
ASTM B62 bronze materials  
MSS SP-139 lead free option (CWP only)

### MODEL 163T



### CLASS 125 PTFE DISC SWING CHECK

#### FEATURES

- Y-Pattern
- NPT
- PTFE Soft Seat
- 200 CWP
- 125 SWP
- **Lead Free** option (NSF 61/NSF 372)

Series Number	LF Series Number	NPS	Length (in.)	Height (in.)	Weight (lb.)
61Y-201-T1	not available	1/4	2.14	1.51	0.64
61Y-202-T1	not available	3/8	2.15	1.51	0.62
61Y-203-T1	61YLF-203-T1	1/2	2.48	1.65	0.73
61Y-204-T1	61YLF-204-T1	3/4	2.94	1.90	1.06
61Y-205-T1	61YLF-205-T1	1	3.57	2.26	1.70
61Y-206-T1	61YLF-206-T1	1 1/4	4.50	2.99	3.30
61Y-207-T1	61YLF-207-T1	1 1/2	4.50	2.99	3.10
61Y-208-T1	61YLF-208-T1	2	5.25	3.74	5.40

Height is measured from centerline to top of unit.

Meets MSS SP-80 standard  
ASTM B62 bronze materials  
MSS SP-139 lead free option (CWP only)

### MODEL 164T



### CLASS 150 BRONZE DISC SWING CHECK

#### FEATURES

- Y-Pattern
- NPT
- Metal Seat
- 300 CWP
- 150 SWP

Series Number	NPS	Length (in.)	Height (in.)	Weight (lb.)
61Y-211-01	1/4	2.14	1.51	0.64
61Y-212-01	3/8	2.14	1.51	0.62
61Y-213-01	1/2	2.48	1.65	0.73
61Y-214-01	3/4	2.94	1.90	1.06
61Y-215-01	1	3.57	2.26	1.70
61Y-216-01	1 1/4	4.50	2.99	3.30
61Y-217-01	1 1/2	4.50	2.99	3.10
61Y-218-01	2	5.25	3.74	5.50
61Y-219-01	2 1/2	8.00	5.11	11.70
61Y-210-01	3	9.24	6.05	17.80

Height is measured from centerline to top of unit.

Meets MSS SP-80 standard  
ASTM B62 bronze materials

# GATE, GLOBE & CHECKS

## Bronze Swing Check Valves – Made in USA



### MODEL 168T



Meets MSS SP-80 standard  
ASTM B61 bronze materials

### CLASS 300 BRONZE DISC SWING CHECK

#### FEATURES

- Y-Pattern
- NPT
- Metal Seat
- 600 CWP
- 300 SWP

Series Number	NPS	Length (in.)	Height (in.)	Weight (lb.)
61Y-753-01	1/2	2.50	1.65	.75
61Y-754-01	3/4	2.95	1.90	1.20
61Y-755-01	1	3.57	2.27	1.80
61Y-756-01	1 1/4	4.50	3.00	3.50
61Y-757-01	1 1/2	4.50	3.00	3.20
61Y-758-01	2	5.25	3.75	5.60

Height is measured from centerline to top of unit.

### MODEL 169T



Meets MSS SP-80 standard  
ASTM B61 bronze materials

### CLASS 300 PTFE DISC SWING CHECK

#### FEATURES

- Y-Pattern
- NPT
- PTFE Soft Seat
- 600 CWP

Series Number	NPS	Length (in.)	Height (in.)	Weight (lb.)
61Y-753-T1	1/2	2.5	1.65	.75
61Y-754-T1	3/4	2.95	1.90	1.20
61Y-755-T1	1	3.57	2.27	1.80
61Y-756-T1	1 1/4	4.50	3.00	3.50
61Y-757-T1	1 1/2	4.50	3.00	3.20
61Y-758-T1	2	5.25	3.75	5.60

Height is measured from centerline to top of unit.

## Iron Swing Check Valves – Apollo International™

### MODEL 910F



### CLASS 125 FLANGED SWING CHECK

#### FEATURES

- Compatible with ANSI 125# & 150# Flanges
- Full Port
- Minimal Pressure Drop
- Bolted Bonnet
- Integral Bronze Seat

#### STANDARDS

##### MSS SP-71

“Gray Iron Swing Check Valves Flanged and Threaded”

##### ASME B16.10

“Face-to-Face and End-to-End Dimensions of Valves”

Series Number	NPS	Length (in.)	Height (in.)	Weight (lb.)
6SC-108-B1	2	8.00	4.41	26.0
6SC-109-B1	2 1/2	8.50	5.24	39.0
6SC-100-B1	3	9.50	5.67	47.0
6SC-10A-B1	4	11.50	6.61	82.0
6SC-10B-B1	5	13.00	7.80	124
6SC-10C-B1	6	14.00	8.54	160
6SC-10E-01	8	19.50	10.28	271
6SC-10G-01	10	24.50	11.30	437
6SC-10H-01	12	27.50	12.56	644
6SC-10J-01	14	31.00	17.50	950
6SC-10K-01	16	36.00	23.45	1160
6SC-10M-01	18	36.00	27.50	1720
6SC-10N-01	20	40.00	29.25	2094

Height is measured from centerline to top of unit.

NOTE: Flat face mating flanges and full face gaskets must be installed to avoid damage to the cast iron body.



See Gate, Globe & Check Catalog (GGC9000) for more detailed information about the products in this section.

Customer Service (704) 841-6000

# COMMERCIAL PRODUCTS CATALOG

## Iron Swing Check Valves – Apollo International™

### MODEL 910FLW



### CLASS 125 FLANGED SWING CHECK

#### FEATURES

- Compatible with ANSI 125# & 150# Flanges
- Full Port
- Minimal Pressure Drop
- Bolted Bonnet
- Integral Seat
- Lever and Weight Design

#### STANDARDS

##### MSS SP-71

"Gray Iron Swing Check Valves Flanged & Threaded"

##### ASME B16.10

"Face-to-Face and End-to-End Dimensions of Valves"

Series Number	NPS	Length (in.)	Height (in.)	Weight (lb.)
6SC-108-B1L	2	8.00	4.41	38.8
6SC-109-B1L	2 1/2	8.50	5.24	45.2
6SC-100-B1L	3	9.50	5.67	61.7
6SC-10A-B1L	4	11.50	6.61	99.2
6SC-10B-B1L	5	13.00	7.80	132
6SC-10C-B1L	6	14.00	8.54	170
6SC-10E-01L	8	19.50	10.28	282
6SC-10G-01L	10	24.50	11.30	439
6SC-10H-01L	12	27.50	12.56	672

Height is measured from centerline to top of unit.

NOTE: Flat face mating flanges and full face gaskets must be installed to avoid damage to the cast iron body.

### MODEL 920F



### CLASS 250 FLANGED SWING CHECK

#### FEATURES

- Compatible with ANSI 250# & 300# Flanges
- Full Port
- Minimal Pressure Drop
- Bolted Bonnet
- Integral Seat

#### STANDARDS

##### MSS SP-71

"Gray Iron Swing Check Valves Flanged & Threaded"

##### ASME B16.10

"Face-to-Face and End-to-End Dimensions of Valves"

Series Number	NPS	Length (in.)	Height (in.)	Weight (lb.)
6SC-208-B1	2	10.51	4.41	30.0
6SC-209-B1	2 1/2	11.50	5.24	44.0
6SC-200-B1	3	12.50	5.67	55.0
6SC-20A-B1	4	14.00	6.61	90.0
6SC-20B-B1	5	15.75	7.80	135
6SC-20C-B1	6	17.50	8.54	172
6SC-20E-01	8	21.00	10.28	289

Height is measured from centerline to top of unit.

NOTE: Class 250 flanges and flanged fittings have a 0.06 inch raised face in accordance with MSS SP-6.



# GATE, GLOBE & CHECKS

## Iron Wafer Checks – Apollo International™

### MODEL 910WB



#### Cold Working Pressure:

200 psi (13.8 Bar) at 100°F (2-12")

150 psi (10.3 Bar) at 100°F (14-24")

#### Temperature Range:

10°F to 180°F

### CLASS 125 WAFER CHECK - NITRILE (BUNA-N)

#### FEATURES

- Compatible with ANSI 125# & 150# Flanges
- Full Port
- Minimal Pressure Drop
- Light Weight
- Spring Assisted Closing for Quicker Response

Series Number	NPS	Length (in.)	Height (in.)	Weight (lb.)
6WC-108-N1	2	2.21	4.00	5.0
6WC-109-N1	2 1/2	2.38	4.75	7.0
6WC-100-N1	3	2.62	5.25	10.0
6WC-10A-N1	4	2.62	6.75	12.0
6WC-10B-N1	5	3.25	7.50	15.0
6WC-10C-N1	6	3.75	8.50	22.0
6WC-10E-N1	8	5.00	11.00	35.0
6WC-10G-N1	10	5.50	13.25	66.0
6WC-10H-N1	12	7.12	16.00	108
6WC-10J-N1	14	7.25	17.75	172
6WC-10K-N1	16	7.50	20.00	132
6WC-10M-N1	18	8.00	21.50	223
6WC-10N-N1	20	8.38	23.75	333
6WC-10P-N1	24	8.75	28.00	474

### MODEL 910WE



#### Cold Working Pressure:

200 psi (13.8 Bar) at 100°F

#### Temperature Range:

-30°F to 275°F

### CLASS 125 WAFER CHECK - EPDM

#### FEATURES

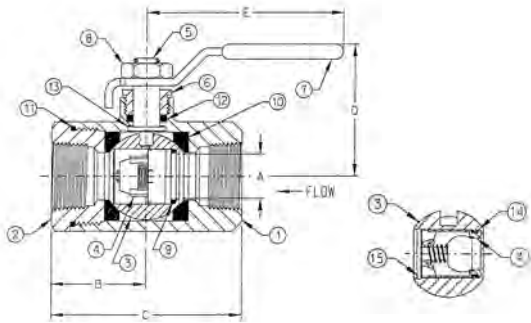
- Compatible with ANSI 125# & 150# Flanges
- Full Port
- Minimal Pressure Drop
- Light Weight
- Spring Assisted Closing for Quicker Response

Series Number	NPS	Length (in.)	Height (in.)	Weight (lb.)
6WC-108-E1	2	2.12	4.00	5.0
6WC-109-E1	2 1/2	2.38	4.75	7.0
6WC-100-E1	3	2.62	5.25	10.0
6WC-10A-E1	4	2.62	6.75	12.0
6WC-10B-E1	5	3.25	7.50	15.0
6WC-10C-E1	6	3.75	8.50	22.0
6WC-10E-E1	8	5.00	11.00	35.0
6WC-10G-E1	10	5.50	13.25	66.0
6WC-10H-E1	12	7.12	16.00	108

# COMMERCIAL PRODUCTS CATALOG

## Specialty Valves

### 70-100-BC SERIES



### BALL VALVES WITH INTEGRAL CHECK, FEMALE X FEMALE

Combines two functions in a single design: positive shut-off and bubble tight check capabilities. The BC Series is a unidirectional version of the industry standard Apollo 70 Series ball valve.

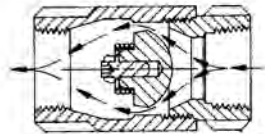
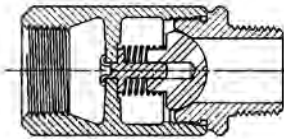
#### FEATURES

- Blowout-proof stem
- RPTFE seats and stem packing
- Adjustable packing gland
- ASTM B584 Bronze
- Nitrile elastomers in Acetal check housing
- Positive shut-off and bubble-tight check capability
- 250 psi @ 200°F max

Model Number	Size (in.)	Dimensions (in.)					Wt.
		A	B	C	D	E	
70-103-BC	1/2"	0.50	1.12	2.25	1.80	3.87	0.63
70-104-BC	3/4"	0.68	4.50	3.00	2.12	4.87	1.33
70-105-BC	1"	0.87	1.68	3.37	2.25	4.87	1.77
70-106-BC	1-1/4"	1.00	2.00	4.00	2.73	5.50	3.29
70-107-BC	1-1/2"	1.25	2.18	4.37	3.09	8.00	4.63
70-108-BC	2"	1.50	2.34	4.68	3.28	8.00	6.01

## In-Line Check Valves

### CVB (61-100 & 61-200) SERIES



### BALL CONE® CHECK VALVES

Patented design (U.S. Pat. No. 4,172,465) with reinforced RPTFE ball-cone check and stainless steel springs, these valves offer reliable protection against reverse flow and exceptional resistance to chemicals and corrosion.

#### FEATURES

- Standard 1/2" psi opening pressure
- Tight shut-off with liquid media
- Male and female NPT inlet options
- 400 psig CWP @ 100°F
- 125 psig steam rating @ 350°F max
- Straight-through design minimizes pressure loss
- ASTM B584 Bronze
- American-made construction
- **Lead Free** option (61LF)(NSF 61/NSF 372)

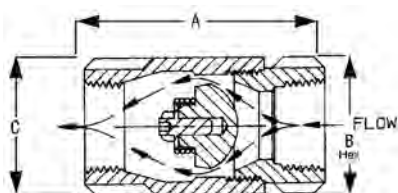
Bronze FNPT x FNPT	LF Bronze FNPT x FNPT	Bronze MNPT x FNPT	Size (in.)	Wt. Ea.	Cv
61-101-01	61LF-101-01	61-201-01	1/4	.38	.85
61-102-01	61LF-102-01	61-202-01	3/8	.38	1.2
61-103-01	61LF-103-01	61-203-01	1/2	.38	1.4
61-104-01	61LF-104-01	61-204-01	3/4	.75	3.5
61-105-01	61LF-105-01	61-205-01	1	1.45	6.0
61-106-01	61LF-106-01	61-206-01	1 1/4	2.75	44
61-107-01	61LF-107-01	61-207-01	1 1/2	3.94	65
61-108-01	61LF-108-01	61-208-01	2	6.30	81
61-109-01	61LF-109-01	-	2 1/2	14.00	175
61-100-01	61LF-100-01	-	3	16.65	265

**Precautionary Note:** Not recommended for use with reciprocating pumps and similar applications which may induce repetitious vibrations. Low flow rates which do not fully open the valve, may result in undesirable noise and premature valve failure. Upstream flow disturbances, which create turbulence, may also result in rapid wear. Therefore, it is recommended that a minimum of 10 diameters of straight pipe be provided between the check valve and any upstream flow disturbances such as pumps, control valves, elbows, etc.

# GATE, GLOBE & CHECKS

## In-Line Check Valves

### CVS (62-100) SERIES



### STAINLESS STEEL BALL CONE® CHECK VALVES

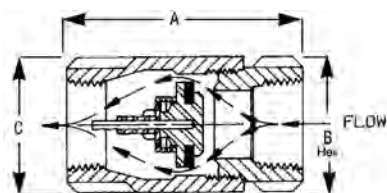
The 62-100 Series is uniquely suited for applications in corrosive environments, including chemical processing, pulp and paper and other process industries. The rugged stainless steel body and RPTFE ball check provide reliable, patented protection against reverse flow.

#### FEATURES

- Unique design (U.S. Patent # 4,172,465)
- Spring-loaded for fast seating action
- Center guided so that radial alignment is never needed
- Straight-through flow minimizes pressure loss
- 400 psig CWP non-shock @ 100°F
- 125 psig SWP @ 350°F
- RoHS Compliant
- ASTM A351, CF8M

Model Number	Size (in.)	Dimensions (in.)			Wt. Ea. (lbs.)	Cv
		A	B	C		
62-101-01	1/4	2.06	1.12	1.12	.38	.85
62-102-01	3/8	2.12	1.12	1.12	.38	1.21
62-103-01	1/2	2.31	1.12	1.12	.38	1.40
62-104-01	3/4	2.87	1.37	1.50	.75	3.5
62-105-01	1	3.50	1.75	1.93	1.45	6.0
62-106-01	1-1/4	4.18	2.12	2.37	2.37	44
62-107-01	1-1/2	4.93	2.50	2.81	3.81	65
62-108-01	2	6.00	3.00	3.68	6.36	81

### CVBE & CVSE (61-500 & 62-500) SERIES



### IN-LINE SOFT SEAT CHECK VALVES

Fabricated with stainless steel springs and elastomeric seats for tighter shut-off. No radial alignment is needed. Exceptional resistance to chemicals and corrosion.

#### FEATURES

- Female NPT sizes: 1/4" to 2"
- Stainless steel sizes: 1/4" to 1"
- Bubble-tight shut-off, ideally suited for gaseous service
- NPT threaded; 400 psig CWP non-shock @ 100°F
- EPDM check disc (61500)
- Viton® check disc (62500)
- Straight-through design minimizes pressure loss
- 1/2 psi cracking pressure
- RoHS Compliant (61LF and 62 Series)
- **Lead Free** option (only 61LF502, 61LF503, and 61LF504)

Designate Lead Free by adding LF to No. (ex. 61LF-501-01)

**Precautionary Note:** Not recommended for use with reciprocating pumps and similar applications which may induce repetitious vibrations. Low flow rates which do not fully open the valve may result in undesirable noise and premature valve failure. Upstream flow disturbances, which create turbulence, may also result in rapid wear. Therefore, it is recommended that a minimum of 10 diameters of straight pipe be provided between the check valve and any upstream flow disturbances such as pumps, control valves, elbows, etc.

Bronze FNPT x FNPT	SS FNPT x FNPT	Size (in.)	Dimensions (in.)			61 Series Wt. Ea.	62 Series Wt. Ea.	Cv
			A	B	C			
61-501-01	62-501-01	1/4	2.312	1.125	1.125	.38	.38	.75
61-502-01	62-502-01	3/8	2.312	1.125	1.125	.38	.38	1.0
61-503-01	62-503-01	1/2	2.312	1.125	1.125	.38	.38	1.2
61-504-01	62-504-01	3/4	2.875	1.375	1.500	.75	.75	3.0
61-505-01	62-505-01	1	3.500	1.750	1.937	1.45	1.50	5.5
61-506-01	–	1-1/4	4.187	2.125	2.375	2.75	–	42
61-507-01	–	1-1/2	4.937	2.500	2.812	3.94	–	60
61-508-01	–	2	6.000	3.000	3.687	6.30	–	75

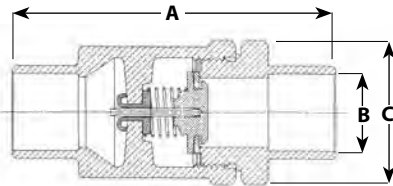


See Gate, Globe & Check Catalog (GGC9000) for more detailed information about the products in this section.

Customer Service (704) 841-6000

## In-Line Check Valves

### CVBES (61-600) SERIES



### SOLDER END SOFT SEAT CHECK VALVES

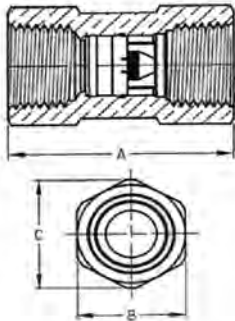
All bronze with stainless steel springs and elastomeric seats for tighter shut-off. No radial alignment is needed. Exceptional resistance to corrosion.

#### FEATURES

- Bubble-tight shut-off, ideally suited for gaseous service
- Straight-through design minimizes pressure loss
- Solder end
- 400 psig CWP non-shock @ 100°F, 250°F max.
- 1/2 psi cracking pressure

Model Number	Size (in.)	Dimensions (in.)			Wt.
		A	B	C	
61-603-01	1/2	2.72	.629	1.25	.50
61-604-01	3/4	3.67	.881	1.65	.86
61-605-01	1	4.48	1.13	2.10	1.71
61-606-01	1-1/4	6.11	1.38	2.38	2.75
61-607-01	1-1/2	6.87	1.63	2.81	3.94
61-608-01	2	7.46	2.13	3.75	6.30

### CV (61-700) SERIES



### BRASS NPT "MINI" CHECK VALVES

Ideally suited for all OEM applications where space is a premium. Excellent for use on water and air. Features a bubble-tight soft seat design with a very light loaded stainless steel spring. Rated at 250 psig CWP with a maximum temperature of 180°F.

#### FEATURES

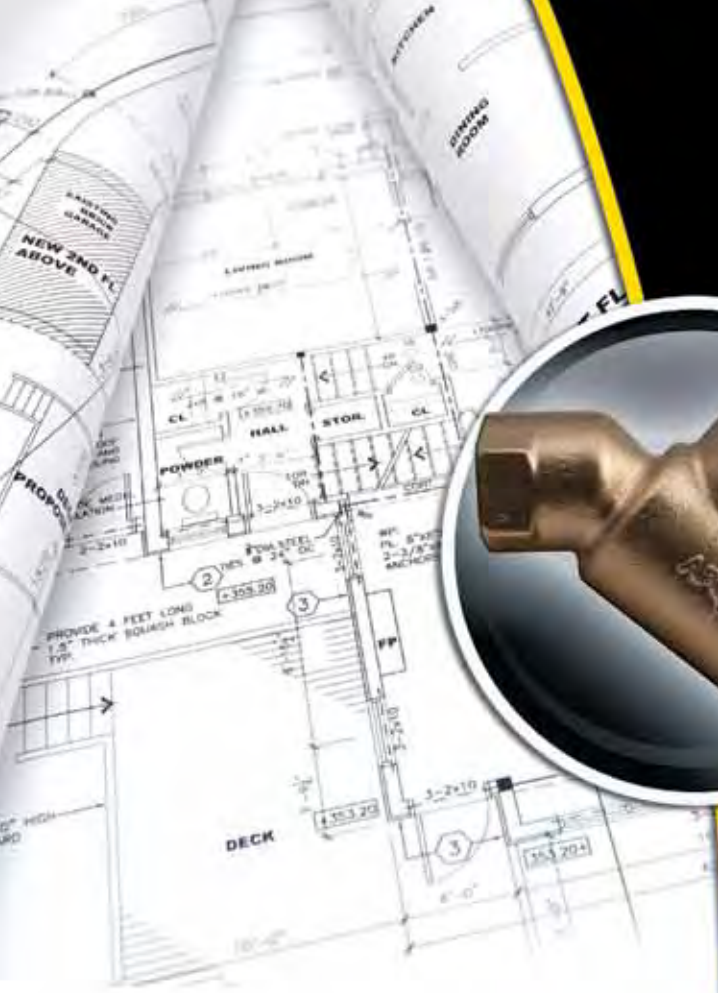
- Sizes: 1/4" to 1"
- FNPT x FNPT
- Check valve body is Acetyl
- Check seals are Nitrile (Buna-N)
- ASTM B16 brass housing
- Check opening pressure is .5 psi

Model Number	Size (in.)	Dimensions (in.)			Wt.
		A	B	C	
61-701-01	1/4	1.72	0.81	0.92	.22
61-702-01	3/8	1.79	0.93	1.05	.29
61-703-01	1/2	2.02	1.06	1.17	.38
61-704-01	3/4	2.50	1.25	1.40	.54
61-705-01	1	2.95	1.62	1.76	1.10



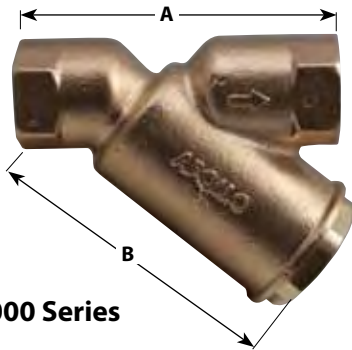
# STRAINERS

# STRAINERS



## Bronze "Y" Strainers

### YB (59) SERIES



59-000 Series



59-400 Series  
F x MNPT

Large volume design for excellent protection against foreign particles in your fluid system. Corrosion-resistant bronze body and stainless steel screens provide years of service.

### FEATURES

- Made in USA, ARRA compliant
- Blowout ball valve option
- Operating pressure to 400 CWP at 210°F (up to 3")
- 125 psig SWP
- Removable self-aligning screen
- Large net flow area for longer maintenance intervals
- 59-400 Series is female x male NPT (3/4" & 1" only)
- CRN-OE 8959.5
- UL listed METZ2, oil burner component
- **Lead-Free** option (59LF)
- Several screen and cap options



-06 Option

### STANDARD

Size (in.)	Standard Screen
1/8 to 1/2	50 Mesh
3/4 to 3	20 Mesh
4	.125 Perforation

### OPTIONS

Suffix	Option
-01	Plain Cap
-02	Blowout Tap
-P2	Blowout with Plug
-06	Ball Valve
-E1	20 Mesh
-A1	40 Mesh
-B1	60 Mesh
-C1	80 Mesh
-H1	100 Mesh

Ordering Number	LF Ordering Number	Model Number	Size	Dimensions		Cap Tapping Suffix -02	Wt./Ea. Lbs.	Net Screen Area (in.) <sup>2</sup>
				A (in.)	B (in.)			
59-001-01	59LF-001-01	YB14	1/4 NPT	2.00	1.25	1/8 NPT	.4	2.3
59-002-01	59LF-002-01	YB38	3/8 NPT	2.69	2.00	1/4 NPT	.8	3.2
59-003-01	59LF-003-01	YB12	1/2 NPT	2.69	2.00	1/4 NPT	.8	3.2
59-004-01	59LF-004-01	YB34	3/4 NPT	3.87	3.25	1/2 NPT	1.9	6.7
59-005-01	59LF-005-01	YB1	1 NPT	4.75	4.00	3/4 NPT	2.8	10.8
59-006-01	59LF-006-01	YB114	1-1/4 NPT	5.12	4.25	3/4 NPT	3.6	13.5
59-007-01	59LF-007-01	YB112	1-1/2 NPT	5.75	5.00	1 NPT	5.4	19.0
59-008-01	59LF-008-01	YB2	2 NPT	6.75	6.00	1-1/4 NPT	7.5	27.6
59-009-01	59LF-009-01	YB212	2-1/2 NPT	7.94	5.87	1-1/4 NPT	11.3	41.0
59-010-01	59LF-010-01	YB3	3 NPT	9.12	6.87	1-1/2 NPT	15.8	56.0
59-011-01	59LF-011-01	YB4	4 NPT	11.94	10.12	1-1/2 NPT	30.7	98
59-404-01	59LF-404-01	YBM34	3/4 F x MNPT	5.38	3.25	1/2 NPT	2.0	6.7
59-405-01	59LF-405-01	YBM1	1 F x MNPT	5.75	4.00	3/4 NPT	3.0	10.8

Ordering Number	Size	Dimensions		Cap Tapping Suffix -02	Wt./Ea. Lbs.	Net Screen Area (in.) <sup>2</sup>
		A (in.)	B (in.)			
<b>UL Listed Strainers</b>						
59-UL0-01	1/8	2.00	1.25	1/8 NPT	.44	1.38
59-UL1-01	1/4	2.00	1.75	1/8 NPT	.42	1.38
59-UL2-01	3/8	2.69	2.00	1/4 NPT	.78	3.19
59-UL3-01	1/2	2.69	2.00	1/4 NPT	.75	3.19

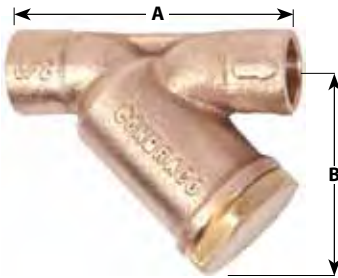


OPTION

# COMMERCIAL PRODUCTS CATALOG

## Bronze End "Y" Strainers

### YBS (59-300) SERIES



#### STANDARD

Size (in.)	Standard Screen
1/2	50 Mesh
3/4 to 3	20 Mesh

#### OPTIONS

Suffix	Option
-01	Solid cap (standard)
-02	Blowout Tap
-P2	Blowout with pipe plug

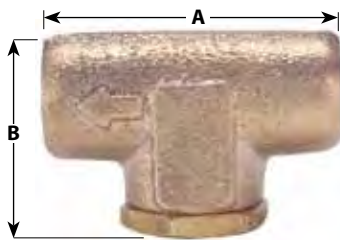
Designed with minimal wall thickness at solder ends to allow ease of installation. Corrosion-resistant bronze bodies, stainless steel screens with large screen area.

#### FEATURES

- Operating pressures to 400 CWP at 150°F
- Sizes: 1/2" to 3" copper tube size
- Optional tapped caps available

Series Number	LF Series Number	Size (in.)	Dimensions (in.)		Tapped Cap Suffix -02	Wt.	Net Screen Area (in. <sup>2</sup> )
			A	B			
59-303-01	59LF-303-01	1/2	2.75	2.0	1/4 NPT	.50	3.19
59-304-01	59LF-304-01	3/4	4.00	3.0	1/2 NPT	1.21	6.7
59-305-01	59LF-305-01	1	4.75	3.5	3/4 NPT	1.89	10.8
59-306-01	59LF-306-01	1-1/4	5.25	4.0	3/4 NPT	2.80	13.5
59-307-01	59LF-307-01	1-1/2	6.00	4.4	1 NPT	4.26	19.0
59-308-01	59LF-308-01	2	7.25	5.1	1-1/4 NPT	6.27	27.6
59-308-01	59LF-308-01	2-1/2	9.50	5.6	1-1/2 NPT	11.00	41.0
59-310-01	59LF-310-01	3	10.50	6.7	1-1/2 NPT	15.0	56.0

### YVB (59V) SERIES



#### "MINI" STRAINER

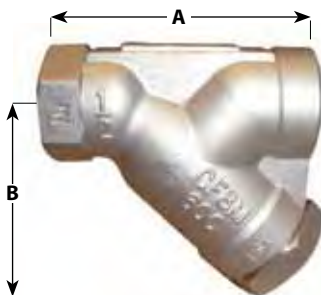
The body of the 59-V is corrosion-resistant solid cast bronze, ASTM B-584. The removable clean-out cap is solid brass, ASTM B-16. Standard screens are made of 304 stainless steel.

#### FEATURES

- Cv Factor 1.42 GPM
- Working Pressure (non-shock): 400 CWP

Series Number	Size (in.)	Dimensions (in.)		Wt./100	Screen Mesh
		A	B		
59V-001-01	1/4 NPT	2.00	1.31	29.7	50
59V-001-H1	1/4 NPT	2.00	1.31	29.7	100

### YSS (612) SERIES



#### STAINLESS STEEL "Y" STRAINERS

Sturdy and compact with corrosion-resistant stainless steel bodies and stainless steel screens.

#### FEATURES

- Body is ASTM A351 Stainless Steel Grade CF8M
- 20 mesh screen standard, others available
- Gasket 304 SS/Graphite on 1/2" to 1", (not available in 1-1/4" size)
- Working pressure: 600 psig @ 1124°F steam  
1440 psig @ 100°F water, oil, & gas
- Screen cover is NPT tapped for customer supplied plug or blow-off valve

Series Number	Size (in.)	Dimensions (in.)		Blow-off NPT	Wt. (lbs.)	Net Screen Area (in. <sup>2</sup> )
		A	B			
612033A1	1/2	3.38	2.75	3/8	2	5.4
612034A1	3/4	4.44	3.63	3/8	3.75	8.7
612035A1	1	4.88	3.75	1/2	4	12.7



## Apollo International Strainers

### YCT SERIES

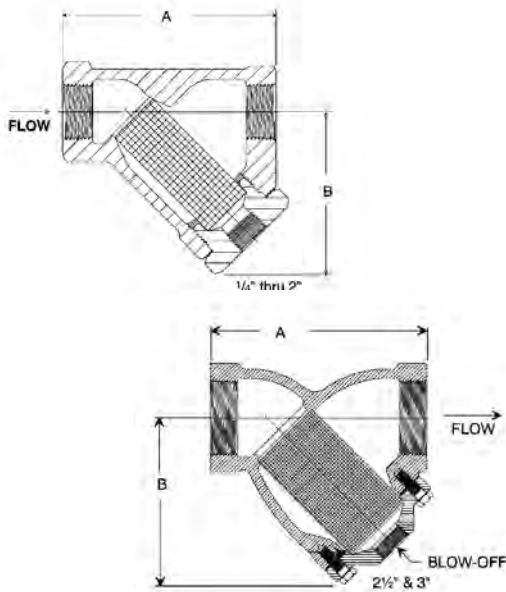


### CAST IRON "Y" STRAINER

Install these durable strainers upstream in almost any application to protect valves, regulators, solenoids and meters from rust, dirt and pipe scale.

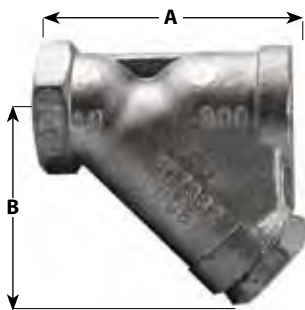
#### FEATURES

- 20 mesh screens standard to 2"; .045 perf 2-1/2" to 3", others available
- Graphite gasketed cover for easy screen cleaning
- Standard tapped cap with plug
- Sizes: 1/4" to 3"
- Working Pressure (non-shock)  
250 psig @ 406°F. Steam  
400 psig @ 150°F. Water, Oil, Gas



Series Number	Size (in.)	Dimensions (in.)		Blow-off NPT	Wt. (lbs.)	Net Screen Area (in. <sup>2</sup> )
		A	B			
YCT01M20	1/4	3.19	2.00	1/4	1.5	2.8
YCT02M20	3/8	3.19	2.00	1/4	1.5	2.8
YCT03M20	1/2	3.19	2.00	1/4	1.5	2.8
YCT04M20	3/4	3.75	2.69	3/8	2.5	4.7
YCT05M20	1	4.00	3.00	3/8	3.0	7.0
YCT06M20	1-1/4	5.00	3.44	3/4	6.0	12.1
YCT07M20	1-1/2	5.75	3.78	3/4	8.0	16.4
YCT08M20	2	7.00	4.34	1	14.0	23.1
YCT09P045	2-1/2	9.25	6.09	1-1/2	29.0	55.0
YCT00P045	3	10.00	7.41	1-1/2	38.0	78.4

### YCS/YCSW (612) SERIES



### CARBON STEEL "Y" STRAINERS

Large volume area screen, reliable construction.

#### FEATURES

- Body is ASTM A216 carbon steel Grade WCB
- 20 mesh screen standard, others available
- Copper Gasket 1/2" to 1-1/2"; 304 SS/Graphite on 2"
- Working pressure: 600 psig @ 839°F steam, 1480 psig @ 100°F water, oil, & gas
- Screen cover is NPT tapped for customer supplied plug or blow-off valve

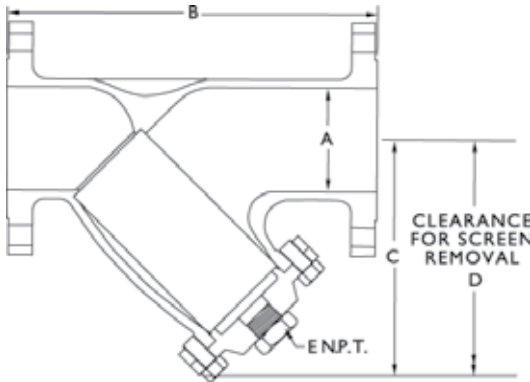
Series Number		Size (in.)	Dimensions (in.)		Blow-off NPT	Wt. (lbs.)	Net Screen Area (in. <sup>2</sup> )
Threaded NPT	Socket Weld		A	B			
612023A1	612123A1	1/2	3.38	2.75	3/8	2	5.4
612024A1	612124A1	3/4	4.44	3.63	3/8	3.75	8.7
612025A1	612125A1	1	4.88	3.75	1/2	4	12.7
612027A1	612127A1	1-1/2	6.38	5.13	3/4	8.75	25.3
612028A1	612128A1	2	7.50	6.00	1	12	39.2

# COMMERCIAL PRODUCTS CATALOG

## Iron Pipe Flanged "Y" Strainers

125YF

### IRON PIPE FLANGED "Y" STRAINERS FEATURES



- Iron strainers are complete with Flat Face flanges in accordance with ASME B16.1
- Strainer body meets applicable ASME Standard
- One piece cast body
- Strainers equipped with bolted cover flange utilizing a flat gasket seal
- Low pressure drop
- Upper and lower machined seats
- 304 SS perforated screens are standard
- Drain/Blow-off connection furnished with plug as standard.
- Generous screen area and properly proportioned straining chamber to minimize initial pressure drop while maximizing time between cleanings
- Compact end to end dimension
- Optional Epoxy coating is FDA approved

Part	Standard Material
Apollo Model	125YF
Body	A126-B
Cover	A126-B
Screen 1	304 SS
Plug 2	A126-B
Gasket 1	Graphite
Bolt/Stud 2	A307-B
Nut 2	A563

**Notes:**

1. Recommended Spares.
2. Materials of equivalent strength may be substituted at manufacturer's option.

Model Number*	Size (in.)	Size (mm.)	Dimensions										Wt. (H/Kg)	Wt. (H/Kg)
			A (in.)	A (mm.)	B (in.)	B (mm.)	C (in.)	C (mm.)	D (in.)	D (mm.)	E (in.)	E (mm.)		
125YF02P045	2"	50	2.00	51	8.88	226	6.00	152	8.50	216	1/2	15	22	10
125YF25P045	2-1/2"	65	2.50	64	10.75	273	8.00	203	11.25	286	1	25	35	16
125YF03P045	3"	80	3.00	76	11.50	292	8.75	222	12.25	311	1	25	43	20
125YF04P125	4"	100	4.00	102	13.88	353	9.50	241	13.38	340	1-1/4	32	75	34
125YF05P125	5"	125	5.00	127	16.38	416	11.50	292	16.13	410	1-1/4	32	115	52
125YF06P125	6"	150	6.00	152	18.50	470	12.63	321	17.69	449	1-1/2	40	154	70
125YF08P125	8"	200	8.00	203	21.38	543	16.38	416	23.00	584	1-1/2	40	243	110
125YF10P125	10"	250	10.00	254	26.00	660	19.00	483	26.70	678	2	50	390	177
125YF12P125	12"	300	12.00	305	30.00	762	22.00	559	31.00	787	2	50	650	295
125YF14P125	14"	350	14.00	356	37.38	949	29.00	737	41.00	1041	2	50	815	370
125YF16P125	16"	400	16.00	406	42.50	1080	33.00	838	46.00	1168	2	50	1224	555

\* Standard mesh models shown.

### UNDER PRESSURE LIMITS (NON-SHOCK)

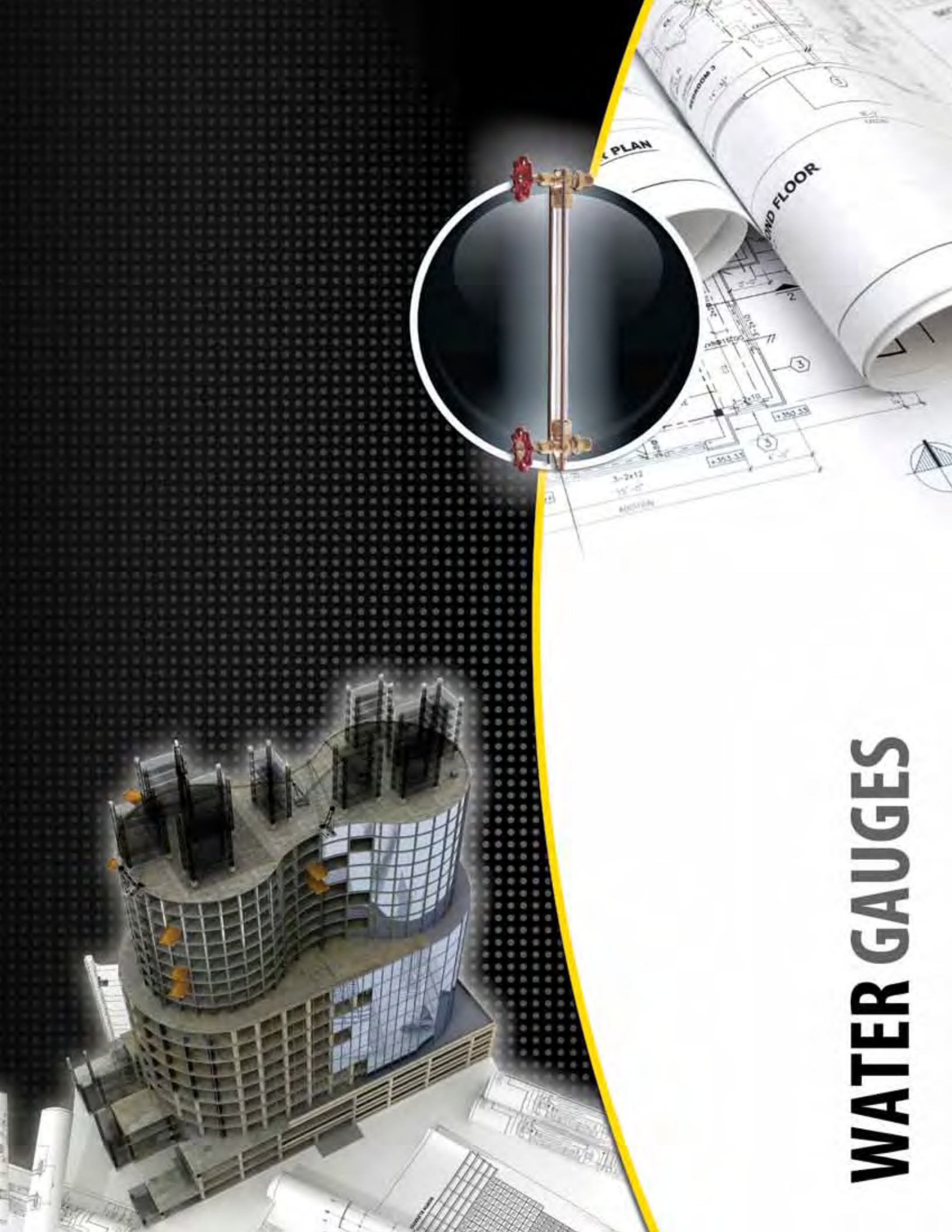
Apollo Model 125YF (up to 12" size)	Apollo Model 125YF (sizes 14" and up)
<u>Body Material</u> A126-B Cast iron	<u>Body Material</u> A126-B Cast iron
<u>M.A.W.P.</u> <u>PSIG (Bars)</u> 200 (13.79)	<u>M.A.W.P.</u> <u>PSIG (Bars)</u> 150 (10.34)

Body Material	Lower Limit °F (°C)
A126-B, A395	-20 (-28.9)

125Y	F - XX	-	XXXXX	-	X
PART	VALVE TYPE CONNECTION /SIZE	SCREEN TYPE	COATING		
125Y (Flat Face)	Flanged 2" = 02 Flanged 2.5" = 25 Flanged 3" = 03 Flanged 4" = 04 Flanged 5" = 05 Flanged 6" = 06 Flanged 8" = 08 Flanged 10" = 10 Flanged 12" = 12 Flanged 14" = 14 Flanged 16" = 16	20 Mesh = M20 40 Mesh = M40 60 Mesh = M60 80 Mesh = M80 100 Mesh = M100 .045 Perf = P045 .062 Perf = P062 .125 Perf = P125 .250 Perf = P250	Blank = Painted finish (standard) E = Epoxy Coating, FDA Approved		

Notes: \*All mesh screens are reinforced with a perforated liner.

**Standard Screens - 2" - 3": .045 Perf 4" - Larger: .125 Perf**

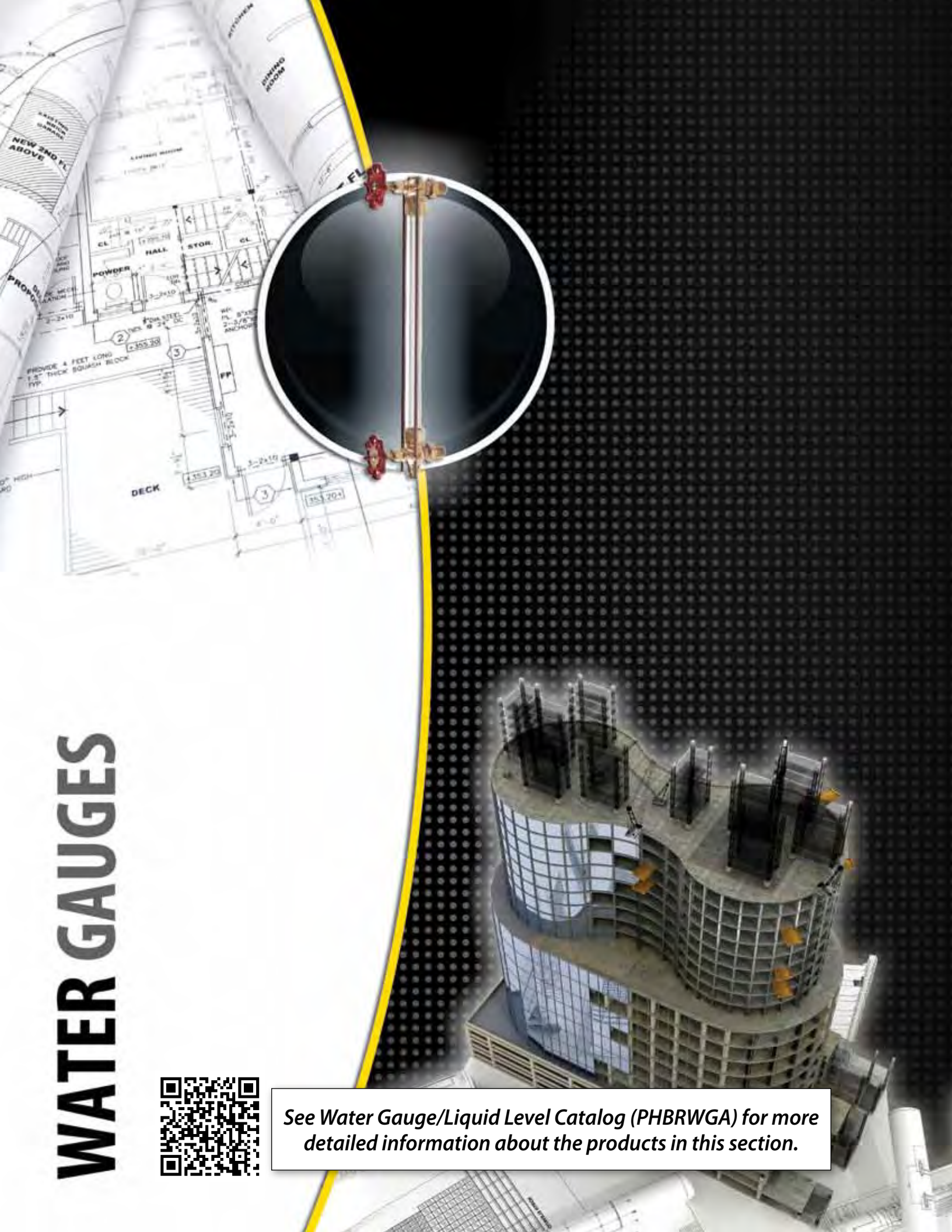


# WATER GAUGES

# WATER GAUGES



See *Water Gauge/Liquid Level Catalog (PHBRWGA)* for more detailed information about the products in this section.



# WATER GAUGES

## 20-100 SERIES



### LIGHT PATTERN BRONZE WATER GAUGES

Use for all types of liquid level verification; available with 3/8" or 1/2" NPT male pipe connections. Aluminum or plastic composition hand wheels; EPDM gauge glass gaskets standard. Other glass gaskets available. Automatic ball checks help prevent the loss of fluids should the glass break.

#### FEATURES

- Ball checks on 20-150 models
- Equipped with two metal guard rods for glass protection
- 1/4" needle drain valve in lower body
- CRN OF6616.5C
- Rated: 125 psig @ 350°F, 300 psig @ 100°F (See note)
- EPDM glass gasket
- TFE stem packing

Part Number	Pipe Size (in.)	Glass O.D. & Length	Wt./100 (lbs.)	Wheel Type
20-101	3/8	5/8 x 10	145	ALUMINUM
20-102	3/8	5/8 x 10	145	COMPOSITION
20-104	1/2	5/8 x 12	160	ALUMINUM
20-105	1/2	5/8 x 12	160	COMPOSITION
20-150*	1/2	5/8 x 12	160	ALUMINUM
20-151*	1/2	5/8 x 12	160	COMPOSITION

Note: Service ratings are subject to pressure/temperature ratings of gauge glass and glass gaskets.

\* Automatic ball checks

## 20-200 SERIES



### STANDARD PATTERN BRONZE WATER GAUGES

All standard 20 Series features but with a heavier valve body pattern for higher service ratings.

#### FEATURES

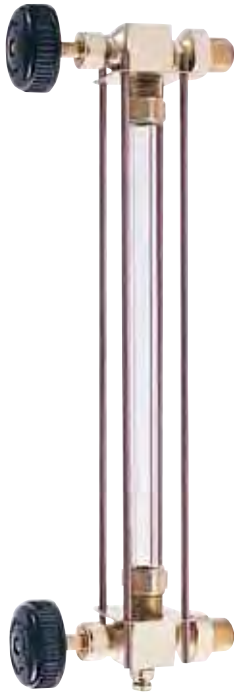
- Available with 3/8", 1/2" and 3/4" MNPT fittings
- Ball checks standard on 20-250 models
- Polished finish on 25-200 valves
- Rated: 200 psig @ 400°F, 400 psig @ 100°F (See note!)
- CRN OF6616.5C
- EPDM glass gasket
- TFE stem packing

Part Number	Pipe Size (in.)	Glass O.D. & Length	Wt./100 (lbs.)	Wheel Type
20-201	3/8	5/8 x 10	185	ALUMINUM
20-202	3/8	5/8 x 10	189	COMPOSITION
20-204	1/2	5/8 x 12	205	ALUMINUM
20-205	1/2	5/8 x 12	205	COMPOSITION
20-207	3/4	3/4 x 16	270	ALUMINUM
20-208	3/4	3/4 x 16	270	COMPOSITION
20-250*	1/2	5/8 x 12	195	ALUMINUM
20-251*	1/2	5/8 x 12	200	COMPOSITION
20-253*	3/4	3/4 x 16	355	ALUMINUM
20-254*	3/4	3/4 x 16	360	COMPOSITION
25-201	3/8	5/8 x 10	180	ALUMINUM
25-202	3/8	5/8 x 10	185	COMPOSITION
25-204	1/2	5/8 x 12	190	ALUMINUM
25-205	1/2	5/8 x 12	190	COMPOSITION
25-207	3/4	3/4 x 16	290	ALUMINUM
25-208	3/4	3/4 x 16	295	COMPOSITION

Note: Service ratings are subject to pressure/temperature ratings of gauge glass and glass gaskets.

\* Automatic ball checks

## 20-300 SERIES



### STANDARD PATTERN BRASS WATER GAUGES

Available with 1/2" or 3/4" NPT male pipe connections. Four guard rods and EPDM gauge glass gaskets standard. Other glass gaskets available. Automatic ball checks help prevent the loss of fluids should the glass break.

#### FEATURES

- Standard 1/4" needle drain valve in lower body
- Pet cock or Apollo® ball valve drain option
- Polished finish on 25-400 and 25-500
- Ball checks standard on 20-350 and 25-500
- Rated: 200 psig @ 400°F, 400 psig @ 100°F
- CRN OF6616.5C
- TFE reinforced stem packing

Part Number	Pipe Size (in.)	Glass O.D. & Length	Wt./100 (lbs.)	Wheel Type
20-304	1/2	5/8 x 12	260	ALUMINUM
20-305	1/2	5/8 x 12	270	COMPOSITION
20-307	3/4	3/4 x 16	345	ALUMINUM
20-308	3/4	3/4 x 16	365	COMPOSITION
20-350*	1/2	5/8 x 12	265	ALUMINUM
20-351*	1/2	5/8 x 12	265	COMPOSITION
20-353*	3/4	3/4 x 16	360	ALUMINUM
20-354*	3/4	3/4 x 16	365	COMPOSITION
25-404	1/2	5/8 x 12	285	ALUMINUM
25-405	1/2	5/8 x 12	285	COMPOSITION
25-407	3/4	3/4 x 16	350	ALUMINUM
25-408	3/4	3/4 x 16	350	COMPOSITION
25-501*	1/2	5/8 x 12	290	ALUMINUM
25-502*	1/2	5/8 x 12	290	COMPOSITION
25-504*	3/4	3/4 x 16	355	ALUMINUM
25-505*	3/4	3/4 x 16	355	COMPOSITION

Note: Service ratings are subject to pressure/temperature ratings of gauge glass and glass gaskets.

\* Automatic ball checks

## Suffix Key - Applicable for all Water Gauges

#### SUFFIX KEY

- 00 Standard set includes top & bottom valves, glass and rods
- 01 Top valve only
- 02 Bottom valve only
- 03 Top & Bottom valves only (no glass or rods)
- 10 For special gauges with non-standard glass, rods, and/or gaskets.

## 20-410 SERIES



### SIDE MOUNTED HANDWHEEL WATER GAUGES

Side-mounted handwheels allow water gauge operation in hard-to-reach places; with all the 20 Series design features.

#### FEATURES

- Ideal for concealed jacketed type boilers
- EPDM standard gauge glass gasket
- Standard 1/4" needle drain valve
- Rated: 125 psig @ 350°F, 300 psig @ 100°F (See note)
- 1-1/4" Extended shank length
- Chrome plate option
- Guard rod glass protection
- CRN OF6616.5C

Part Number	Side	Pipe Size (in.)	Glass O.D. & Length	Wt./100 (lbs.)	Shank Length (in.)	Wheel Type
20-410-00	LH	1/2	5/8 x 12	180	1.25	ALUMINUM

Note: Service ratings are subject to pressure/temperature ratings of gauge glass and glass gaskets.

## 20-600/20-800 SERIES



### BRONZE EXPANSION TANK GAUGES

Bottom shut-off valve allows for glass maintenance without complete drainage.

#### FEATURES

- Automatic ball check
- EPDM standard gauge glass gasket
- 20-800 models: 1/4" NPT port in upper body for pressure gauge
- Rated: 200 psig @ 400°F, 400 psig @ 100°F (See note)
- Guard rod glass protection
- CRN OF6616.5C

Part Number	Pipe Size (in.)	Glass O.D. & Length	Wt./100 (lbs.)	Wheel Type
20-604-00*	1/2	5/8 x 12	155	ALUMINUM
20-605-00*	1/2	5/8 x 12	175	COMPOSITION
20-804-00*	1/2	5/8 x 12	160	ALUMINUM
20-805-00*	1/2	5/8 x 12	160	COMPOSITION

Note: Service ratings are subject to pressure/temperature ratings of gauge glass and glass gaskets.

Note: Not for use on boiler systems

\* Automatic ball checks

## 20-700/20-710 SERIES



### BRONZE EXPANSION TANK GAUGES

Simple liquid level indicator. Available with 3/8" or 1/2" MNPT connections; EPDM gauge glass gaskets and 1/4" drain valve in lower body.

#### FEATURES

- 20-713 & 20-714 with plug for easy glass replacement
- 1/4" pet cock or Apollo® ball valve optional
- Guard rod glass protection
- Rated: 125 psig @ 350°F, 300 psig @ 100°F (See note)
- CRN OF6616.5C

Part Number	Pipe Size (in.)	Glass O.D. & Length	Wt./100 (lbs.)
20-703-00	3/8	5/8 x 10	120
20-704-00	1/2	5/8 x 12	135
20-713-00	3/8	5/8 x 10	130
20-714-00	1/2	5/8 x 12	145

Note: Service ratings are subject to pressure/temperature ratings of gauge glass and glass gaskets.

Note: Not for use on boiler systems

## 21 SERIES



### BRONZE WATER GAUGES WITH EXTENDED SHANK

Ideal for concealed jacket type boilers.

#### FEATURES

- 1-3/4" shank length
- 21-100 rated 125 psig @ 350°F, 300 psig @ 100°F
- 21-200 rated 200 psig @ 400°F, 400 psig @ 100°F (See note)
- Equipped with two copper-plated steel guard rods for glass protection
- EPDM glass gasket
- TFE reinforced stem packing
- CRN OF6616.5C

Model Number	Pipe Size (in.)	Glass O.D. & Length	Wt./100 (lbs.)	Wheel Type
21-104	1/2	5/8 x 12	185	ALUMINUM
21-105	1/2	5/8 x 12	197	COMPOSITION
21-150*	1/2	5/8 x 12	195	ALUMINUM
21-151*	1/2	5/8 x 12	207	COMPOSITION
21-204	1/2	5/8 x 12	215	ALUMINUM
21-205	1/2	5/8 x 12	219	COMPOSITION
21-250*	1/2	5/8 x 12	215	ALUMINUM
21-251*	1/2	5/8 x 12	215	COMPOSITION

\* Automatic ball checks

Note: Service ratings are subject to pressure/temperature ratings of gauge glass and glass gaskets.



## 23-400 SERIES



### STAINLESS STEEL LIQUID LEVEL GAUGES

Ideal for handling alcohol solvents, acetic acid and ketones. Automatic models conform to ASME requirements; aluminum and composition handwheels.

#### FEATURES

- PTFE reinforced gauge glass gaskets, stem packings
- Chemical resistant PTFE seat
- 5/16" diameter full-flow, all SS drain ball valves with safety handle
- Four SS guard rods for glass protection
- Rated 500 psig @ 450°F (See note)
- High pressure gauge glass standard
- CRN OF6616.5C
- Automatic check models - conform to ASME power boiler code requirements for automatic water gauges

Part Number	Pipe Size (in.)	Glass O.D. & Length	Wt./100 (lbs.)	Wheel Type
<b>Non-Automatic</b>				
23-401-00	1/2	5/8 x 12	385	ALUMINUM
23-402-00	1/2	5/8 x 12	385	COMPOSITION
23-404-00	3/4	3/4 x 16	450	ALUMINUM
23-405-00	3/4	3/4 x 16	450	COMPOSITION
<b>ASME-Automatic</b>				
23-450-00	1/2	5/8 x 12	390	ALUMINUM
23-451-00	1/2	5/8 x 12	390	COMPOSITION
23-453-00	3/4	3/4 x 16	455	ALUMINUM
23-454-00	3/4	3/4 x 16	455	COMPOSITION

Note: Service ratings are subject to pressure/temperature ratings of gauge glass and glass gaskets.

## 23-600 SERIES



### STAINLESS STEEL EXPANSION TANK GAUGES

Bottom shut-off valve allows for glass maintenance without complete drainage.

#### FEATURES

- Stainless steel guard rod glass protection
- Rated: 250 psig at 406°F: maximum working pressure (See note)
- Standard PTFE reinforced gauge glass gaskets
- High pressure glass standard
- CRN OF6616.5C

Part Number	Pipe Size (in.)	Glass O.D. & Length	Wt./100 (lbs.)	Wheel Type
23-651-00	1/2	5/8 x 12	225	ALUMINUM
23-654-00	3/4	5/8 x 12	225	COMPOSITION

Note: Service ratings are subject to pressure/temperature ratings of gauge glass and glass gaskets.

Note: Not for use on boiler systems

## 24-300 SERIES



### HEAVY PATTERN BRONZE LIQUID LEVEL GAUGES

Automatic and non-automatic direct reading gauges in shank pipe sizes 1/2" and 3/4"

#### FEATURES

- Heavy pattern bronze valve body
- Guard rod bracket to accommodate four guard rods
- 250 psig @ 400°F
- 500 psig @ 100°F
- PTFE reinforced gauge glass gasket and stem packing are standard
- Automatic check models - conform to ASME power boiler code requirements for automatic water gauges
- High pressure gauge glass and gaskets are standard
- CRN OF6616.5C
- Bronze ball valve drains are standard

Part Number	Pipe Size (in.)	Glass O.D. & Length	Wt./100 (lbs.)	Wheel Type
<b>Non-Automatic</b>				
24-301-00	1/2	5/8 x 12	425	ALUMINUM
24-302-00	1/2	5/8 x 12	425	COMPOSITION
24-304-00	3/4	3/4 x 16	490	ALUMINUM
24-305-00	3/4	3/4 x 16	490	COMPOSITION
<b>ASME-Automatic</b>				
24-350-00	1/2	5/8 x 12	425	ALUMINUM
24-351-00	1/2	5/8 x 12	425	COMPOSITION
24-353-00	3/4	3/4 x 16	490	ALUMINUM
24-354-00	3/4	3/4 x 16	490	COMPOSITION

Note: Service ratings are subject to pressure/temperature ratings of gauge glass and glass gaskets.

## 24-600 SERIES



### BRONZE CHAIN LEVER WATER GAUGES

Lever on standard 12-foot chain allows operator to open and close valves that would be beyond reach.

#### FEATURES

- Rated 250 psig @ 400°F, 500 psig @ 100°F (See note)
- Quick operation quarter turn
- ASME automatic ball check option
- 1/4" full-blow ball valve with safety handle
- High pressure glass
- CRN OF6616.5C
- TFE reinforced stem packing
- TFE reinforced glass gasket
- Steel rod glass protection

Part Number	Pipe Size (in.)	Glass O.D. & Length	Wt./100 (lbs.)
24-601-00	1/2	5/8 x 12	515
24-602-00	3/4	3/4 x 16	580
24-651-00*	1/2	5/8 x 12	515
24-652-00*	3/4	3/4 x 16	580

\* ASME Automatic ball check model

Note: Service ratings are subject to pressure/temperature ratings of gauge glass and glass gaskets.

## 25-600 SERIES



### POLISHED BRONZE CHAIN LEVER WATER GAUGES

Lever on standard 12-foot chain allows operator to open and close valves that would be beyond reach.

#### FEATURES

- Quick operation quarter turn
- Service rating: 250 psig @ 400°F, 500 psig @ 100°F (See note)
- EPDM gauge glass gasket
- 1/4" needle drain valve
- 20-600 series un-polished
- Graphite stem packing
- Steel rod glass protection
- CRN OF6616.5C

Part Number	Pipe Size (in.)	Glass O.D. & Length	Wt./100 (lbs.)
25-601-00	1/2	5/8 x 12	335
25-602-00	3/4	3/4 x 16	350
20-601-00 †	1/2	5/8 x 12	370
20-602-00 †	3/4	3/4 x 16	435

Note: Service ratings are subject to pressure/temperature ratings of gauge glass and glass gaskets.

† Un-polished

## Water Accessories

### GLASS PROTECTOR



### TUBULAR GAUGE GLASS PROTECTOR

Reduces risk of injury and damage from glass failure; maximum length: 50"

#### FEATURES

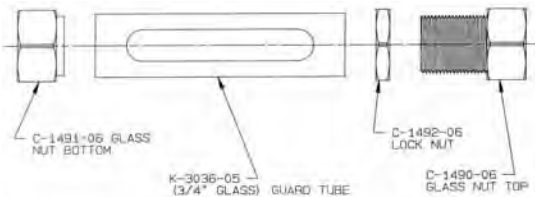
- Heavy duty brass tube
- No. I-2733\* 5/8" Glass Protector
- No. I-2734\* 3/4" Glass Protector
- Made to fit most water gauges
- Not available on 23-400, 23-650, 24-300, 24-350, 24-600 models

Note: Water gauge part number and centerline length are required when ordering. Priced according to length and application.

# COMMERCIAL PRODUCTS CATALOG

## Water Gauge Accessories

### TUBULAR GAUGE GLASS PROTECTOR



### FEATURES

- Reduces the risk of injury and damage from broken exploding glass.
- Made to fit most water gauges.
- Priced according to length and application.
- Maximum protector length of 50".
- Tubular gauge glass protector not available on the 23-400, 23-650, 24-300, 24-350, and 24-600 series.
- Maximum of 50" length

Give series number and centerline distance "L" when ordering.

Part Number	Size	Length
I-2733-05	5/8" O.D. glass	Up to 12" long
I-2733-05L	5/8" O.D. glass	12" to 24" long
I-2734-05	3/4" O.D. glass	Up to 16" long
I-2734-05L	3/4" O.D. glass	16" to 24" long

### WATER GAUGE REPAIR KITS

Kit	Applications
20-001-01 20-003-01	20-101, 20-102, 20-104, 20-105, 20-150, 20-151, 20-405, 20-406, 20-407, 20-408, 20-410 21-101, 21-102, 21-104, 21-105, 21-150, 21-151,
20-001-02 20-003-02	20-201, 20-202, 20-204, 20-205, 20-250, 20-251, 20-304, 20-305, 20-350, 20-351 20-604, 20-605, 20-804, 20-805, 21-204, 21-205, 21-250, 21-251, 25-201 25-204, 25-205, 25-404, 25-405, 25-501, 25-502
20-001-03 20-003-03	20-207, 20-208, 20-253, 20-254, 20-307, 20-308, 20-353, 20-354 25-207, 25-208, 25-407, 25-408, 25-504, 25-505
20-001-04 20-003-04	20-601, 25-601
20-001-05 20-003-05	20-602, 25-602
20-001-06 20-003-06	20-703, 20-704, 20-713, 20-714
20-001-07 20-003-07	23-401, 23-402, 23-450, 23-451
20-001-08 20-003-08	20-405, 20-406, 20-407, 20-408
20-001-09 20-003-09	23-404, 23-405, 23-453, 23-454
20-001-10 20-003-10	23-651, 23-654
20-001-11 20-003-11	24-301, 24-302, 24-350, 24-351, 24-450, 24-451
20-001-12 20-003-12	24-304, 24-305, 24-353, 24-354, 24-453, 24-454
20-001-13 20-003-13	24-601, 24-651, 24-751, 24-851
20-001-14 20-003-14	24-602, 24-652, 24-752, 24-852
20-002-01	20-101, 20-102, 20-104, 20-105, 20-150, 20-151, 20-201, 20-202, 20-204, 20-205, 20-250, 20-251, 20-304, 20-305, 20-350, 20-351, 20-405, 20-406, 20-407, 20-408, 20-410, 20-601, 20-604, 20-605, 20-703, 20-704, 20-713, 20-714, 20-804, 20-805, 20-207, 20-208, 20-253, 20-254, 20-307, 20-308, 20-353, 20-354, 25-207, 25-208, 25-407, 25-408, 25-504, 25-505, 20-602, 25-602
20-002-02	23-401, 23-402, 23-450, 23-451, 24-301, 24-302, 24-350, 24-351, 24-450, 24-451, 24-601, 24-651, 24-751, 24-851
20-002-03	23-404, 23-405, 23-453, 23-454, 24-304, 24-305, 24-353, 24-354, 24-453, 24-454, 24-602, 24-652, 24-752, 24-852

Hypalon®, Teflon® and Viton® are registered trademarks of DuPont.

The standard repair kits contain glass packing, stem packing, friction washers, seat washers, and drain washer applicable to the particular valve. Three types of glass packing, EPDM rubber, Hypalon®, and Virgin Teflon®, are included in the standard repair kit. For oil related service, Fluorelastomer (Viton®) glass gasket sets are available. For severe applications, graphite glass gaskets and stem packing sets are available for each model.

### REPAIR KIT SELECTION INSTRUCTIONS

It is helpful to determine the following information when ordering a repair kit.

- Model number (if not available describe gauge, i.e. material, # guard rods, NPT size, etc.)
- Glass O.D. and type
- Handle type
- Service media, temperature, and pressure

If you know the model number just refer to the "Repair Kit Applications" chart to select kit number for your valve. To order the standard kit, or Viton®, or graphite gaskets, assemble the ordering matrix for the desired kit number.

If you are unable to determine model number please determine the above information and call customer service for assistance.

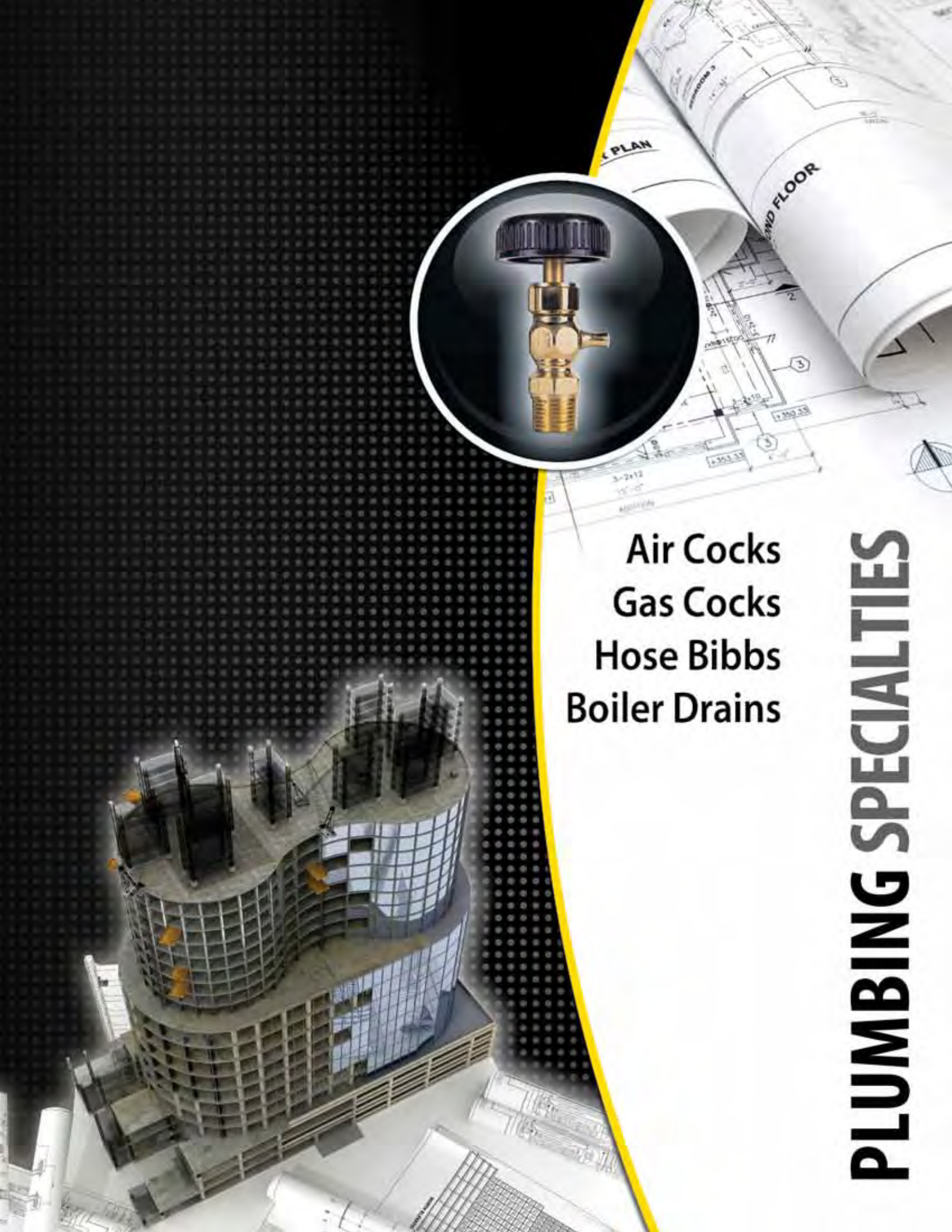
For replacement glass please determine the above information in addition to the "L" dimension and call customer service.

"L" dimension (center to center height of water gauge inlets).



**Air Cocks**  
**Gas Cocks**  
**Hose Bibbs**  
**Boiler Drains**

**PLUMBING SPECIALTIES**



# PLUMBING SPECIALTIES

Air Cocks  
Gas Cocks  
Hose Bibbs  
Boiler Drains



## Compression Gauge Cocks

### 26-100/26-300 SERIES



26-300

### COMPRESSION GAUGE COCKS

For draining expansion tanks, other liquid storage vessels. For condensate only.

#### FEATURES

- 26-100: rated up to 125 psig
- 26-300: soft metal seat/stuffing box rated up to 250 psig at 400°F
- 26-310: stainless steel ball seat/stuffing box rated up to 250 psig at 400°F
- 26-700: TFE seat, rated up to 250 psig at 400°F

Series Number	Pipe Size (in.)	Wt./100 (lbs.)	Wheel Type
26-101-01	3/8	25.0	ALUMINUM
26-102-01	3/8	30.0	COMPOSITION
26-104-01	1/2	28.3	ALUMINUM
26-105-01	1/2	30.0	COMPOSITION
26-301-01	3/8	39.0	ALUMINUM
26-302-01	3/8	40.0	COMPOSITION
26-304-01	1/2	40.0	ALUMINUM
26-305-01	1/2	44.0	COMPOSITION
26-307-01	3/4	49.0	ALUMINUM
26-308-01	3/4	51.7	COMPOSITION
26-311-01	3/8	39.0	ALUMINUM
26-312-01	3/8	42.0	COMPOSITION
26-314-01	1/2	40.0	ALUMINUM
26-315-01	1/2	44.0	COMPOSITION
26-317-01	3/4	50.0	ALUMINUM
26-318-01	3/4	50.0	COMPOSITION
26-704-01	1/2	78.0	ALUMINUM
26-705-01	1/2	82.0	COMPOSITION
26-707-01	3/4	88.0	ALUMINUM
26-708-01	3/4	105.0	COMPOSITION

\*26-100 series is not available with packing nut  
Specify the following suffix for finish: Polished Brass -28

## Compression Cock

### 26-500 SERIES



### LEVER OPERATED COMPRESSION COCK

For draining expansion tanks or other liquid storage vessels where the drain port is beyond reach. Spring loaded lever provides positive closure to 250 psig at 300°F.

#### FEATURES

- Bronze body B584 UNS C84400
- Stainless steel closure spring
- PTFE soft seat
- Graphite stem packing
- Zinc plated "S" hook on lever
- Optional 6 foot chain
- Rated up to 250 psig

Series Number	Pipe Size (in.)	Wt./100 (lbs.)	
26-504-01	1/2	110	
26-504-02	1/2	112	6' chain
26-507-01	3/4	115	
26-507-02	3/4	117	6' chain

# COMMERCIAL PRODUCTS CATALOG

## Steam Gauge Siphon

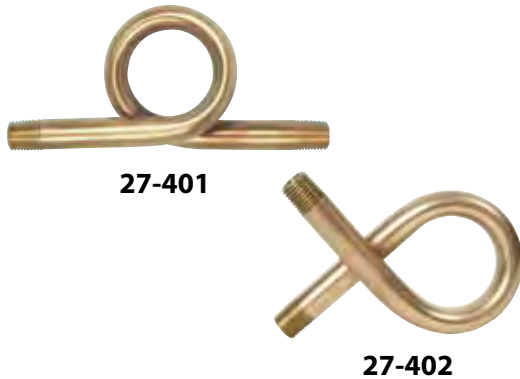
### 27-400 SERIES

### STEAM GAUGE SIPHON

For pressure gauge protection .

#### FEATURES

- Heavy gauge seamless brass tubing
- Brass (-01)
- Chrome plate (-03)
- Bright dip finish (04)
- 27-401 is 180° loop, 27-402 is 90° loop
- Service rating: 250 psig saturated steam, 400 psig at 100°F



Series Number	Pipe Size (in.)	Wt./100 (lbs.)
27-401-01	1/4	44.0
27-402-01	1/4	40.0

## 5-Port Tank Selector

### 78-124/78-125 SERIES

### 5-PORT TANK SELECTOR

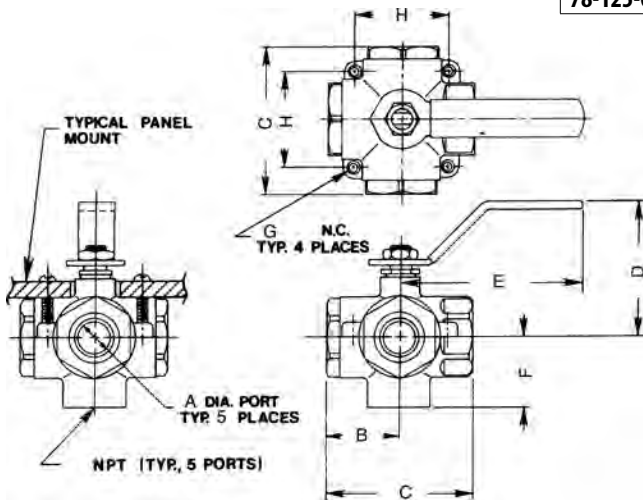
Unique ball design allows for higher flow capacities. Five port construction allows access to four tanks using only one valve.

#### FEATURES

- Five NPT connections
- Bronze ball valve with stainless steel Lever and Nut
- PTFE seats and RPTFE stem packing
- Stem packing adjustable for wear
- Non-lubricated
- 50 psig pressure rating
- Operation: four selected inlets feed one common outlet
- Pointer on handle indicates the selected inlet
- Easy mounting design



Series Number	Size (in.)	Dimensions (in.)								Wt./100 (lbs.)
		A	B	C	D	E	F	G	H	
78-124-01	1/2	0.50	1.26	2.52	2.27	3.53	1.12	10-24	1.40	106
78-125-01A	3/4	0.75	1.56	3.12	2.93	3.87	1.53	1/4-20	1.98	264





# PLUMBING SPECIALTIES

## Air Cocks

### 41 SERIES

#### AIR COCKS (FOR AIR USE ONLY)







An economical way to shut-off air lines. Nut bottom available for pressures to 200 psig with 1/8" port. Many handle configurations. Spring bottom with 5/32" port standard.

#### FEATURES

- Spring bottom cocks tested at 80 psig air
- Standard parts are satin brass
- Maximum temperature is 500°F

Type	Satin Brass
Standard Spring Bottom	-01
Nut Bottom	-04



	Series Number	Size (in.)	Wt./100 (lbs.)
	<b>TEE HANDLE ROUND SHOULDER</b>		
	41-060	1/8	12.8
	41-070	1/4	13.0
	<b>TEE HANDLE HEXAGON SHOULDER</b>		
	41-080	3/8	17.0
	41-090	1/2	20.0
	<b>LEVER HANDLE ROUND SHOULDER</b>		
	41-120	1/8	13.1
	41-130	1/4	14.2
	<b>LEVER HANDLE HEXAGON SHOULDER</b>		
	41-140	3/8	17.0
	41-150	1/2	22.9
	<b>TEE HANDLE DOUBLE MALE THREAD</b>		
	41-180	1/8	14.0
	41-190	1/4	17.9
	41-203	3/8	20.0
	41-210	1/2	33.1
	<b>LEVER HANDLE DOUBLE MALE THREAD</b>		
	41-220	1/8	14.0
	41-230	1/4	18.5
	41-240	3/8	19.1
	41-251	1/2	31.3
	<b>TEE HANDLE BIBB NOSE</b>		
	41-260	1/8	14.5
	41-270	1/4	16.3
	41-280	3/8	33.3
	41-330	1/2	36.0
	<b>LEVER HANDLE BIBB NOSE</b>		
	41-290	1/8	16.5
	41-300	1/4	15.0
	41-310	3/8	32.1
	41-320	1/2	36.0



	Series Number	Size (in.)	Wt./100 (lbs.)
	<b>TEE HANDLE DOUBLE FEMALE</b>		
	41-370	1/8	13.0
	41-380	1/4	14.0
	41-390	3/8	26.0
	41-391	1/2	27.0
	<b>TEE HANDLE MALE &amp; FEMALE</b>		
	41-400	1/8	13.0
	41-410	1/4	14.0
	41-420	3/8	21.0
	41-421	1/2	26.0
	<b>LEVER HANDLE DOUBLE FEMALE</b>		
	41-430	1/8	14.8
	41-440	1/4	13.0
	41-450	3/8	23.0
	41-451	1/2	27.0
	<b>LEVER HANDLE MALE &amp; FEMALE</b>		
	41-460	1/8	15.2
	41-470	1/4	15.0
	41-480	3/8	23.0
	41-481	1/2	27.0
	<b>TEE HANDLE MALE &amp; FEMALE HEX SHOULDER</b>		
	41-490	1/8	17.0
	41-500	1/4	15.0
	41-510	3/8	23.0
	41-511	1/2	25.0
	<b>LEVER HANDLE MALE &amp; FEMALE HEX SHOULDER</b>		
	41-520	1/8	14.0
	41-530	1/4	15.0
	41-540	3/8	22.1
	41-541	1/2	27.0

# COMMERCIAL PRODUCTS CATALOG

## Air Cocks

### 41 SERIES (CONT.)

	Series Number	Size (in.)	Wt./100 (lbs.)
	<b>TEE HANDLE DOUBLE FEMALE HEX SHOULDER</b>		
	41-550	1/8	17.0
	41-560	1/4	17.0
	41-570	3/8	25.0
	41-571	1/2	28.3
	<b>LEVER HANDLE DOUBLE FEMALE HEX SHOULDER</b>		
	41-580	1/8	15.0
	41-590	1/4	18.2
	41-600	3/8	24.0
	41-601	1/2	28.8

	Series Number	Size (in.)	Wt./100 (lbs.)
	<b>TEE HANDLE STRAIGHT NOSE HEX SHOULDER</b>		
	41-630	1/8	15.7
	41-640	1/4	15.0
	<b>LEVER HANDLE STRAIGHT NOSE HEX SHOULDER</b>		
	41-650	1/8	14.0
	41-660	1/4	15.0

## Air Cocks

### 41 SERIES HEAVY PATTERN



### HEAVY AND EXTRA HEAVY PATTERN AIR AND STEAM COCKS

Heavy and extra heavy patterns for higher pressure applications.

#### FEATURES

- Satin brass finish
- Spring Bottom (-01) is tested at 100psi
- Rated for air pressure up to 250 psig with nut version
- Extra heavy pattern rated for 150 SWP - nut bottom only

Type	Suffix Code
Spring Bottom (Standard)	-01
Nut Bottom	-04

Series Number	Size (in.)	Wt./100 (lbs.)
<b>HEAVY PATTERN TEE HANDLE DOUBLE FEMALE</b>		
41-102-01	1/4	28.00
<b>LEVER HANDLE DOUBLE FEMALE</b>		
41-103-01	1/4	27.00
<b>EXTRA HEAVY PATTERN TEE HANDLE DOUBLE FEMALE</b>		
41-200-01	1/8	32.00
41-202-01	1/4	32.00
<b>TEE HANDLE DOUBLE FEMALE HEXAGON SHOULDER</b>		
41-222-01	1/4	38.00
<b>TEE HANDLE MALE AND FEMALE</b>		
41-250-01	1/4	20.00

# PLUMBING SPECIALTIES

## Drain Cocks

### 42-100 SERIES



#### DRAIN COCKS

Cast brass construction; rated for 25 psig.

#### FEATURES

- Sizes: 1/8", 1/4", 3/8" and 1/2"
- Cast brass finish
- Standard spring bottom (suffix code -01)

Series Number	Size (in.)	Orifice (in.)	Wt./100 (lbs.)
42-101-01	1/8	3/16	20.4
42-102-01	1/4	1/4	15.0
42-103-01	3/8	3/8	35.0
42-104-01	1/2	3/8	38.0

## Steam Gauge Cocks

### 43-100 SERIES



#### STEAM GAUGE COCKS

Female fitting with male union for easy installation.

#### FEATURES

- Satin brass finish
- Rated 100 SWP for standard bottom, 150 SWP for nut version

Type	Suffix Code
Standard Spring Bottom	-01
Nut Bottom	-04

Series Number	Description	Size (in.)	Wt./100 (lbs.)
43-101-01	100 SWP	1/4 FNPT	45
43-101-04	150 SWP	1/4 FNPT	45

## Air Cocks

### 44-100 SERIES



#### HOSE END COCKS

Interior diameter hose sizes: 3/8" to 7/16"

#### FEATURES

- 3/16" port; rated 25 psig
- Satin brass finish

Series Number	Size (in.)	Wt./100 (lbs.)
44-101-01	1/8	19
44-102-01	1/4	22
44-103-01	3/8	23
44-104-01	1/2	25

# COMMERCIAL PRODUCTS CATALOG

## Gas Cocks

### GCB (50) SERIES

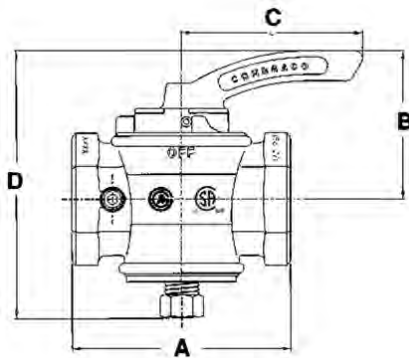


### MANUAL MAIN CONTROL VALVES

CSA design certified for 1/2 psig and temperatures from 32° to 125°F. Complies to ANSI Z 21.15, CSA 9.1

#### FEATURES

- Factory tested 100% at 10 psig
- Bronze construction, stainless steel springs
- Capacities to 7.8 million BTU/hour
- Equal female inlet/outlet
- Bosses on both sides are drilled and tapped. Only one side is plugged



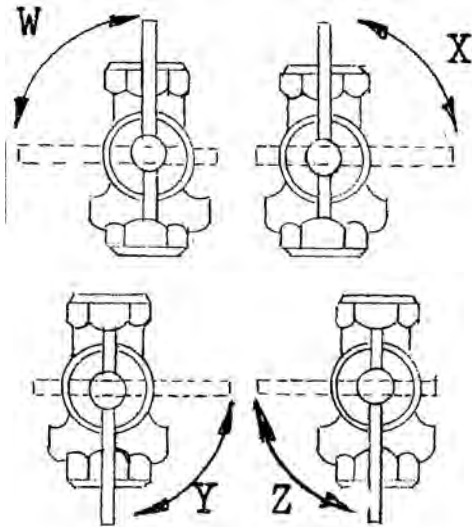
Series Number	Size (in.)	BTU/hr.	Wt./100 (lbs.)	Dimensions			
				A	B	C	D
50-203*	1/2	800,000	88	2.50	1.44	1.72	2.75
50-303	3/4	1,310,000	156	2.94	1.69	2.06	3.50
50-403	1	2,100,000	197	3.94	2.19	2.87	3.87
50-503	1-1/4	3,250,000	300	3.66	2.75	3.16	4.69
50-603	1-1/2	3,700,000	478	4.37	3.31	3.50	5.75
50-703	2	7,300,000	845	5.44	3.72	4.50	6.75
50-803	2-1/2	7,800,000	1000	5.87	3.72	4.50	6.75

\* 1/2" size is not CSA certified

#### HANDLE SUFFIX POSITION

Size Pilot (in.)	W	X	Y	Z
1/8 NPT	01	02	03	04
1/4 NPT	05	06	07	08

All main burner valves furnished with 1/8" NPT pilot tapping. Valves 1" and larger can be furnished with 1/4" NPT pilot tapping.



# PLUMBING SPECIALTIES

## Gas Cocks

### GC (51) SERIES



#### GAS SERVICE COCKS

Tee or lever handle cocks; CSA design certified. In sizes 1/4" to 3/4"

#### FEATURES

- Capacities: 117,000 to 749,000 BTU/hour
- Certified to ANSI Z21.15 and CSA 9.1 (1/2 psig at temperatures from 32° F to 125°F)
- Accepted for use in City of New York Department of Buildings MEA 45-90-M

Series Number	Pipe Size (in.)	Wt./100 (lbs.)	Capacity (BTU/hr.)
<b>T-HANDLE W/STOP</b>			
51-103-01	1/4	35	117,000
51-104-01	3/8	47	274,600
51-105-01	1/2	54	274,000
51-106-01	3/4	83	749,000
<b>LEVER HANDLE W/STOP</b>			
51-107-01	3/8	50	274,600
51-108-01	1/2	56	274,600
51-109-01	3/4	87	749,000

## Gas Cocks

### GC2 (52) SERIES



#### GAS SERVICE COCKS

Available with tee head, flat head, square head or lever head in sizes from 1/4" to 1". Wrench operated and tested at 125 psig.

#### FEATURES

- High pressure rating
- Capacities: 117,000 to 749,000 BTU/hour
- Accepted for use in City of New York Department of Buildings MEA 45-90-M
- Max. temperature: 500°F

Series Number	Size (in.)	Wt./100 (lbs.)	Series Number	Size (in.)	Wt./100 (lbs.)
<b>T-HEAD</b>			<b>SQUARE HEAD</b>		
52-101-01	1/4	32.0	52-301-01	1/4	31.0
52-102-01	3/8	29.0	52-302-01	3/8	28.0
52-103-01	1/2	45.0	52-303-01	1/2	43.0
52-104-01	3/4	65.8	52-304-01	3/4	62.7
52-105-01	1	92.9	52-305-01	1	90.0
<b>FLAT HEAD</b>			<b>LEVER HEAD</b>		
52-201-01	1/4	30.0	52-401-01	1/4	34.3
52-202-01	3/8	28.0	52-402-01	3/8	31.0
52-203-01	1/2	43.0	52-403-01	1/2	46.0
52-204-01	3/4	57.0	52-404-01	3/4	66.7
52-205-01	1	90.6	52-405-01	1	97.0

# COMMERCIAL PRODUCTS CATALOG

## Gas Cocks

### GC3 (53) SERIES



### GAS COCKS

Available in male and female sizes: 1/8", 1/4" and 3/8".

### FEATURES

- Capacities: 117,000 to 749,000 BTU/hour
- 200 CWP
- Certified to ANSI Z21.15 and CSA 9.1 (1/2 psig at temperatures from 32° F to 125°F)
- Accepted for use in City of New York Department of Buildings MEA 45-90-M

Series Number	Male Size (in.)	Female Size (in.)	Wt./100 (lbs.)
53-299-01*	1/8	1/8	14.0
53-300-01*	1/4	1/4	18.5
53-301-01	3/8	3/8	45.0

\* Design certified by CSA to meet ANSI Z21.15.CSA 9.1 pressure requirements of 1/2 psig

## Gas Cocks

### GCA (54) SERIES



54-100



54-200



### GAS HOSE COCKS & APPLIANCE CONNECTOR VALVES

### FEATURES

- CSA design certified bronze gas valves with 56,500 BTU/hour capacity.
- Certified to ANSI Z21.15 and CSA 9.1 (1/2 psi at 32° F to 125°F)

Series Number	Pipe Size (in.)	Outlet (in.)	Wt./100 (lbs.)
54-101-01	3/8	1/8 MNPT	41.0
54-102-01	1/2	1/8 MNPT	34.8
54-103-01	3/4	1/8 MNPT	40.0

Series Number	Pipe Size (in.)	Outlet (in.)	Wt./100 (lbs.)
54-201-01	3/8	3/8 SAE	36.0
54-202-01	1/2	3/8 SAE	33.4
54-203-01	1/2	1/2 SAE	35.0
54-204-01	3/4	1/2 SAE	45.1
54-206-01	3/4	5/8 SAE	50.0
54-207-01	1/2	5/8 SAE	57.0
54-208-01	3/4	3/8 SAE	44.0
54-209-01	3/4	1/2 MNPT	44.0

# PLUMBING SPECIALTIES

## Gas Cocks

### GCR (55) SERIES

**GAS COCK WITH THROTTLE ADJUSTMENT DESIGN CERTIFIED BY CSA**



#### FEATURES

- Certified to ANSI Z21.15 and CSA 9.1 (1/2 psig at 32° F to 125°F)
- Thread size: 1/4" male x 1/4" female

Series Number	Size (in.)	Wt./100 (lbs.)
55-302-01	1/4 M x 1/4 F	33

## Gas Cocks

### GCP (56) SERIES





#### PILOT COCKS

Wide variety of CSA design certified pilot cocks.



#### FEATURES

- Certified to ANSI Z21.15 and CSA 9.1 (1/2 psig at 32° F to 125°F)

	Model Number	Size (in.)	Wt./100 (lbs.)
	56-111-01	1/8 NPT x 1/4 Tube Plain	15.0
	56-112-01	1/8 NPT x 1/4 Tube Throttle Adjust.	14.0
	56-221-01	1/8 NPT x 1/8 FNPT Plain	16.1
	56-222-01	1/8 NPT x 1/8 FNPT Throttle Adjust.	16.1
	56-601-01	1/8 NPT x 1/4 Tube Right Hand	17.0
	56-602-01	1/8 NPT x 1/4 Tube RH Throttle Adjust	17.0
	56-603-01	1/8 NPT x 1/4 Tube Left Hand.	17.0
	56-604-01	1/8 NPT x 1/4 Tube LH Throttle Adjust.	17.0

# COMMERCIAL PRODUCTS CATALOG

## Compression Bibb Faucet

### HB (35-200) SERIES



### COMPRESSION BIBB FAUCET

Features heavy pattern with large flow path.

#### FEATURES

- Solid bronze construction
- Both models have 3/4" hose connection
- Aluminum handwheel
- Made in USA

Series Number	Pipe Size (in.)	Wt./100 (lbs.)
35-201-01	1/2	58.3
35-202-01	3/4	57.0

## Water Heater Drain Valves

### BD90 (31-200/31-500) SERIES



### 90° DRAIN VALVES

For deluxe water heaters and low pressure boilers.

#### FEATURES

- Max. rated pressure: 200 psig
- Max. rated temperature: 250°F
- Red aluminum wheel handle
- Optional plain finish handle (-04P)
- 31-200 Series heavy pattern, 3/4" MNPT inlet
- 31-500 Series standard pattern, 1/2" MNPT inlet with I.D. of NPT thread machined for 1/2" copper pipe
- Made in USA

Series Number	Wt./100 (lbs.)	Shank Length (in.)	Inlet (in.)
31-202-04	43.00	5/8	3/4 MNPT
31-212-04	46.50	15/16	3/4 MNPT
31-501-04	31.00	5/8	1/2 MNPT/1/2 Sweat

## Water Heater Drain Valves

### BDT (31-400) SERIES



### COMBINATION TEE & DRAIN VALVES

Permits supplying and draining of water through a single tank tapping and meets CSA requirements.

#### FEATURES

- All cast bronze bodies
- Aluminum handwheel
- No handle: Screwdriver slot stem option
- Max. rated pressure: 200 psig
- Max. rated temperature: 250° F
- 3/4" FNPT inlet x 3/4" male hose end x 3/4" FNPT side outlet
- Made in USA

Series Number	Wt./100 (lbs.)	Handle
31-401-04	62.00	Aluminum Wheel - Red
31-401-04P	62.00	Aluminum Wheel - Plain
31-401-13	62.00	Slotted Stem



# PLUMBING SPECIALTIES

## Water Heater Drain Valves

### BD (31-600/31-700) SERIES



**31-600**  
Male NPT



**31-700**  
Female NPT

### ANGLED BODY WATER HEATER DRAIN VALVES

All drains are equipped with Conbraco packing seal assuring easy turning stem and leak proof drain. Various shank lengths available. Meets CSA requirements.

#### FEATURES

- All cast bronze bodies
- Max. rated pressure: 200 psig
- Max. rated temperature: 250° F
- 31-600: 3/4" MNPT inlet
- 31-700: 1/2" or 3/4" FNPT inlet
- Made in USA

#### HANDLE SUFFIX KEY

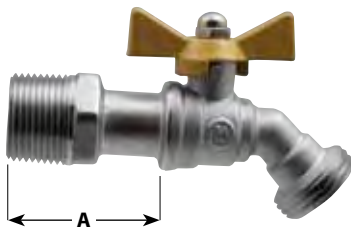
-04	Aluminum Wheel - Red
-04P	Aluminum Wheel - Plain
-13	Slotted Stem

\* Not all variations available in all sizes. Contact customer service.

Series Number	Shank Length (in.)	Inlet (in.)	Wt./100 (lbs.)
31-600	5/8"	3/4" MNPT	27.3
31-601	3/4"	3/4" MNPT	36.0
31-602	1"	3/4" MNPT	35.0
31-604	1-1/4"	3/4" MNPT	43.0
31-606	1-1/2"	3/4" MNPT	49.5
31-607	1-3/4"	3/4" MNPT	48.0
31-608	2"	3/4" MNPT	52.0
31-609	2-1/4"	3/4" MNPT	52.0
31-610	2-1/2"	3/4" MNPT	57.2
31-611	2-3/4"	3/4" MNPT	60.0
31-612	3"	3/4" MNPT	66.3
31-700		1/2" FNPT	39.0
31-701		3/4" FNPT	37.0

## Water Heater Drain Valves

### BD (35-300) SERIES



### APOLLO INTERNATIONAL™ BALL VALVE BIBB FAUCET

Features heavy pattern with large opening. Ideal for boiler and water heater drains, general liquid dispensing and drainage. The new 45° spout design allows for easier hose connection access.

#### FEATURES

- Chrome plated finish; sizes 1/2" and 3/4"
- Pressure rating 200 psig liquid
- Maximum temperature 250°F

Series Number	Size (in.)	A (in.)	Inlet (in.)	Outlet (in.)	Wt./100 (lbs.)
35-301-03	1/2	1-1/2	1/2 sweat/thrd connector	0.75-11.5 NHR hose	38.4
35-302-03	3/4	1-3/4	3/4 thrd connector	0.75-11.5 NHR hose	44.5

# WARRANTY INFORMATION

## WARRANTY AND LIMITATIONS OF LIABILITY

Conbraco Industries, Inc. warrants, to its initial purchaser only, that its products which are delivered to this initial purchaser will be of the kind described in the order or price list and will be free of defects in workmanship or material for a period of **FIVE** years from the date of delivery to you, our initial purchaser. This warranty applies to Apollo brand product with "Made in the USA" markings only.

Should any failure to conform to this warranty appear within **FIVE** years after the date of the initial delivery to our initial purchaser, Conbraco will, upon written notification thereof and substantiation that the goods have been stored, installed, maintained and operated in accordance with Conbraco's recommendations and standard industry practice, correct such defects by suitable repair or replacement at Conbraco's own expense.

**APOLLO INTERNATIONAL PRODUCTS:** Conbraco Industries, Inc. warrants its International products, to its initial purchaser only, that its international products which are delivered to this initial purchaser will be of the kind described in the order or price list and will be free of defects in workmanship or material for a period of **TWO** years from the date of delivery to you, our initial purchaser.

THIS WARRANTY IS EXCLUSIVE AND IS IN LIEU OF ANY IMPLIED WARRANTY OF MERCHANTABILITY, FITNESS FOR A PARTICULAR PURPOSE OR OTHER WARRANTY OF QUALITY, WHETHER EXPRESSED OR IMPLIED, EXCEPT THE WARRANTY OF TITLE AND AGAINST PATENT INFRINGEMENT. Correction of non-conformities, in the manner and for the period of time provided above, shall constitute fulfillment of all liabilities of Conbraco to our initial purchaser, with respect to the goods, whether based on contract, negligence, strict tort or otherwise. It is the intention of Conbraco Industries, Inc. that no warranty of any kind, whether expressed or implied shall pass through our initial purchaser to any other person or corporation.

**LIMITATION OF LIABILITY:** Conbraco Industries, inc. SHALL NOT UNDER ANY CIRCUMSTANCES BE LIABLE FOR SPECIAL OR CONSEQUENTIAL DAMAGES SUCH AS, BUT NOT LIMITED TO, DAMAGES OR TO LOSS OF OTHER PROPERTY OR EQUIPMENT, LOSS OF PROFITS OR REVENUE, COST OF CAPITAL, COST OF PURCHASED OR REPLACEMENT GOODS, OR CLAIMS OF CUSTOMERS OF OUR INITIAL PURCHASER. THE REMEDIES OF OUR INITIAL PURCHASER, AND ALL OTHERS, SET FORTH HEREIN, ARE EXCLUSIVE, AND THE LIABILITY OF CONBRACO WITH RESPECT TO SAME SHALL NOT, EXCEPT AS EXPRESSLY PROVIDED HEREIN, EXCEED THE PRICE OF THE GOODS UPON WHICH SUCH LIABILITY IS BASED.

\* It is the end user's responsibility to confirm that items intended for use satisfy local codes and standards.



## TERMS AND CONDITION OF SALE

- Payment: 2% 10th prox. Net 30 days.
- All prices F.O.B. shipping point with freight allowed on shipments of 750 pounds and/or \$5,000 net minimum to all shipping points within the United States excluding Alaska and Hawaii. No freight allowed on Air Freight or Parcel Post shipments. Claims for shortages must be made within 10 days of receipt of material. Our responsibility ends when a receipt is furnished us by the carrier.
- No Invoice Rendered For Less Than \$50.00.
- No freight will be allowed on Air Freight, Air Express, Parcel Post or U.P.S. shipments.
- All Conbraco products may be combined to make sufficient weight for full freight allowance.
- Phone order quoted prices are subject to correction. Prices and designs are subject to change without notice.
- Orders for material or special design or specification are made to customer's order and are not subject to cancellation or return.
- All goods returned to us will not be accepted unless a full explanation has been made and our written authorized permission obtained in advance. All goods returned – if accepted – will be credited at invoice price, less 30% for service and rehandling charges, plus shipping expenses.
- We reserve the right to adjust orders to box quantities.

## INTERNATIONAL SALES REPS & REGIONAL MANAGERS

INTERNATIONAL	AREAS COVERED	EMAIL	PHONE	FAX	
INTERNATIONAL	<b>Conbraco International Sales:</b>				
	Jose Arias	Mexico	jose.arias@conbraco.com	1-956-631-4542	1-956-631-4681
	Luis Guzman	Puerto Rico/Caribbean	luis.guzman@conbraco.com	1-787-739-5620	
	JR Jefferson	Central & South America	jr.jefferson@conbraco.com	1-832-220-3783	
	Mike Link	United Kingdom	michael.link@peglyorkshire.co.uk	44-07957-843906	
	Luke Liu	China	luke.liu@conbraco.com	86-411-869-02498	
	Brencliff Group	Australia	petermcl@brencliff.com	61-0477-223110	
	Pegler Yorkshire Mid East	Middle East/India	pydubai@mailme.ae	971-4-454-2353	971-4-454-2352
	Europe/Africa/Israel	Contact Customer Service	1-704-841-6000	1-704-841-6021	

REGIONAL MANAGERS	<b>APOLLO VALVES REGIONAL SALES DIRECTORS</b>			P.O. BOX 247, Matthews, NC 28106	
	Brian Blalock	East	brian.blalock@conbraco.com	704-614-3744	704-841-6021
	Skip Wilson	West	skip.wilson@conbraco.com	760-330-3293	775-854-5722
	<b>APOLLO VALVES REGIONAL MANAGERS</b>				
	Kevin Ashworth	Mid Atlantic	kevin.ashworth@conbraco.com	757-272-6200	
	Steve Brown	Northwest	steve.brown@conbraco.com	425-985-5095	253-862-3548
	Andy Fretz	Canada - Commercial	andy.fretz@conbraco.com	647-281-3161	905-761-6666
	Ben Lauletta	Northeast	ben.lauletta@conbraco.com	518-795-4629	
	Sanford Pauly	North Central	sanford.pauly@conbraco.com	513-716-7772	513-321-7717
	James Saldivar	South Central - Industrial	james.saldivar@conbraco.com	832-776-5547	
	Nick Shelley	South Central - Commercial	nick.shelley@conbraco.com	214-790-4157	
	Jim Todman	Canada - Industrial	jim.todman@conbraco.com	905-407-8385	905-761-6666
	<b>LASCO FITTINGS IRRIGATION REGIONAL MANAGERS</b>			P.O. BOX 116, Brownsville, TN 38012	
	David Beyer	Northeast	dbeyer@lascofittings.com	561-718-9379	
Ron Modugno	West	rmodugno@lascofittings.com	661-910-5058	661-775-0713	
Jimmy White	Central	jwhite@lascofittings.com	731-234-2372	731-779-3608	
Ben Freeman	Southeast	bfreeman@lascofittings.com	205-919-4944		
Rick Williamson	Eastern Specifications Manager	rwilliamson@lascofittings.com	386-451-2307		

current as of 11/2/12



For additional information, submittal sheets and manuals, visit [www.apollovalves.com](http://www.apollovalves.com)

**Customer Service (704) 841-6000**



**SALES & CUSTOMER SERVICE:**

**Phone: (704) 841-6000**

**Fax: (704) 841-6020**

**www.apollovalves.com**

	AGENCY	AREAS COVERED	EMAIL	PHONE	FAX
<b>SOUTHEAST REGION</b>	Mid South Marketing, Inc.	VA/MD/Washington, D.C./WV-East	michael.uecker@msmsales1.com	804-213-3801	804-213-3802
	Pro Marketing, Inc.	NC/SC/TN-East	sales@promarketinginc.net	864-578-4334	864-578-4889
	Spirit Group	FL (except Panhandle)	info@spiritgroupinc.com	407-291-6035	407-299-0378
	Tim Morales & Associates, Inc.	AL/FL Panhandle	sales@timmorales.com	251-602-8333	251-602-8339
	White Wolf Group	GA	info@whitewolfgroupinc.com	800-401-4870	888-908-9372
<b>SOUTHERN REGION</b>	BWC Inc.	LA (Commercial Products)	chuck@bwcassoc.com	504-734-0229	504-734-3711
	Marathon Flow Control	TX, OK, KS except Northeast, LA (Industrial)	sales@marathonflowcontrol.com	214-201-0100	214-201-0104
	Southern Marketing Group	MS/TN-West/AR/Bowie Cty.-TX	SMG49@bellsouth.net	901-547-0042	901-547-0035
<b>MIDWESTERN REGION</b>	FourMation Sales	MN/ND/SD/WI-West	ryan@fourmationsales.com	763-420-6900	763-420-6993
	Marshall-Rodeno Heartland	NE/IA (Except River Counties)	trodeno@marshallrodeno.com	303-575-6701	303-575-6706
	Midwest Spec	Northern OH, Western PA, WV	glsales@mwspec.com	330-538-0406	330-538-0410
	Midwest Spec	Southern OH, KY	rvsales@mwspec.com	513-353-9191	513-353-1589
	New Tech Marketing	Northern-IL/WI-East/IN/MI-UP/IA-River Counties	sales@new-techmarketing.com	630-378-4300	630-378-0343
	New Tech Marketing	MO/Southern IL/Northeast Kansas	ntm112@aol.com	618-394-0329	618-394-0427
	V.E. Sales Co., Inc.	MI (Except Upper Peninsula)	tomv@vesalesinc.com	586-774-7760	586-774-1490
<b>WESTERN REGION</b>	Elmco Duddy	CA - South	tduddy@elmcoduddy.com	626-333-9942	626-855-4811
	Gordon & Associates	WA, OR, AK, Northern counties ID	kenn@gordonandassoc.com	907-441-7184	425-228-7777
	HC Fletcher	CA - North (AB 1953 Compliant Product & Fire Protection)	apollosales@hcfletcher.com	800-432-7047	949-660-9072
	Marshall-Rodeno Associated	CO/WY/MT/ID-SE/UT/NV-NE/NM/EI Paso-TX	trodeno@marshallrodeno.com	303-575-6701	303-575-6706
	Romatec	CA - North PVF (Non AB 1953)	apollo@romatec.com	877-530-3530	661-588-3534
	Southwest Valves	CA (Waterworks)	d.burell@southwestvalve.com	559-261-2703	559-261-2711
	Southwestern Industrial Sales Co. Spec Management Group	AZ/Nevada-SW HI	eduardop@sw-ind.com msmarch4@cox.net	480-458-5838 949-481-4225	480-458-5843 949-487-0990
<b>NORTHEAST REGION</b>	Conroy & Griese Sales, Inc.	NY-East/NJ-North	iezzi52@aol.com	856-663-4440	856-663-6644
	Keith Engle & Associates	OEM accounts	keith.enge@verizon.net	610-213-5552	610-827-9561
	Layden Company	NY-Upstate/PA-East/DE/NJ-South	joehr@laydencompany.com	610-363-6657	877-529-3361
	Urell, Inc.	MA/New England States	conbraco@urell.com	617-923-9500	617-926-9414
<b>IRRIGATION ONLY REPS</b>	Active Sales Northwest, Inc.	OR, WA, Western ID	skactive@aol.com	541-726-0320	541-726-1148
	Biz Sales Company	OH, KY, MI, IN, parts of PA, WV, WI	dzavelson@bizpvf.com	216-595-2888	216-595-2899
	Formation Sales	MN/ND/SD/WI-West	dean@fourmationsales.com	763-262-4700	763-262-4740
	Hall Marketing	AL, LA	hallmarketing@bellsouth.net	228-547-4637	228-832-6666
	J&J Midwest Sales	NE, IA, MO, KS	john@jandjmidwestsales.com	314-422-8419	
	Jim Benton & Associates	AL, FL Panhandle	jimbentonandassoc.com	205-664-1221	205-664-1277
	John Hart	FL	jhart@lascofittings.com	772-595-7773	772-489-4305
	Larry Perkins	TX - Southern	lperkins@lascofittings.com	936-443-1096	
	Marel Enterprises	New England, NY, DE, MD, VA, DC, parts of PA & WV	marelenterprise@gmail.com	631-271-1718	631-427-8558
	Marshall-Rodeno Associated	CO/WY/MT/ID-SE/UT/NV-NE	trodeno@marshallrodeno.com	303-575-6701	303-575-6706
	NSC Marketing Group Inc.	OK	nsc_tulsa@sbcglobal.net	918-627-5340	918-664-1408
	Pro Marketing, Inc.	NC/SC/TN-East	sales@promarketinginc.net	864-578-4334	864-578-4889
	Sherman Dobbs	TX - Northern	sdobbs@lascofittings.com	469-442-8510	972-417-9733
	Southern Marketing Group	MS/TN-West/AR/Bowie Cty.-TX	SMG49@bellsouth.net	901-547-0042	901-547-0035
	Spec Management Group	CA-South	msmarch4@cox.net	949-481-4225	949-487-0990
VPC Sales	AZ	chudson@vpcsales.com	661-257-3923	661-257-3928	
<b>APOLLO FIRE PROTECTION SYSTEM SOLUTIONS</b>					
	Brian Fiorisi	US	brian.fiorisi@conbraco.com	574-524-6675	
<b>CANADA</b>	Barclay Sales Ltd.	British Columbia	sales@barclaysales.com	604-945-1010	604-945-3030
	Conbraco Industries, Canada	178 Pennsylvania Ave., Unit 1, Concord, Ontario L4K 4B1	conbraco.canada@conbraco.com	905-761-6161	905-761-6666
	D & M Mechanical Sales	Ontario/East	don@dandmsales.ca	613-384-7084	613-384-3407
	Dynamic Agencies, Ltd.	Saskatchewan	doug.dynamicage@sasktel.net	306-343-1901	306-343-1901
	J. Levandier Sales, Inc.	Nova Scotia, New Brunswick, Prince Edward Island & Newfoundland	service@jlevandiersales	506-858-1615	506-858-1084
	Kern Industries, Ltd.	Alberta-North	kernind@telusplanet.net	780-451-2056	780-454-6687
	Kern Industries Calgary, Ltd.	Alberta-South	marty.yucytus@kernindustries.ca	403-730-7791	403-239-8179
	Key to the North Sales Agency, Inc.	Ontario-North	hmehes@keytothenorth.ca	705-524-6714	705-566-0148
	Task Controls, Inc.	Ontario	infotoronto@taskcontrols.com	416-291-3004	416-754-3481
	Tom Beggs Agencies Ltd.	Manitoba/NW Ontario	tba@mts.net	204-953-1900	204-774-6915
	Ventes Techniques Nimatec	Quebec	nimatec@nimatec.com	450-691-9427	450-691-4949